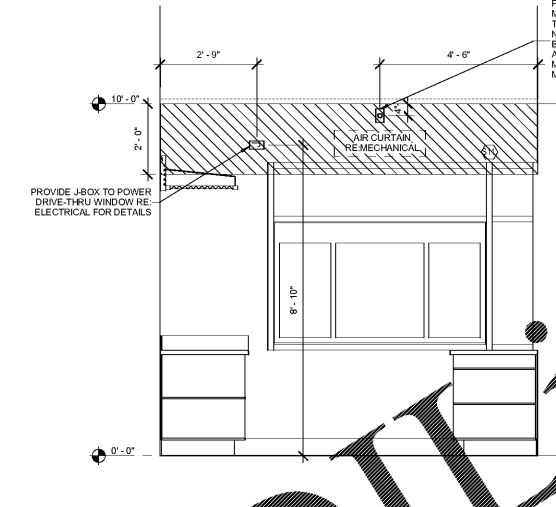
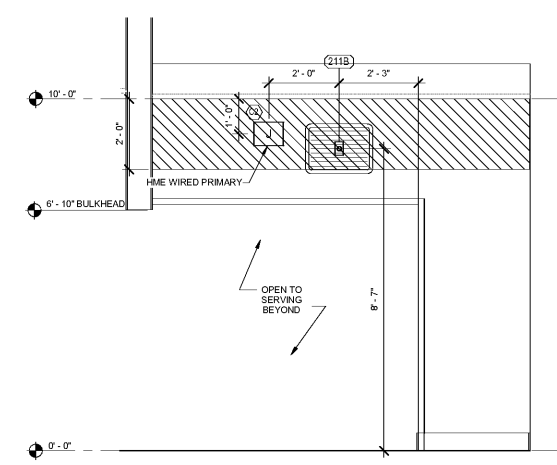


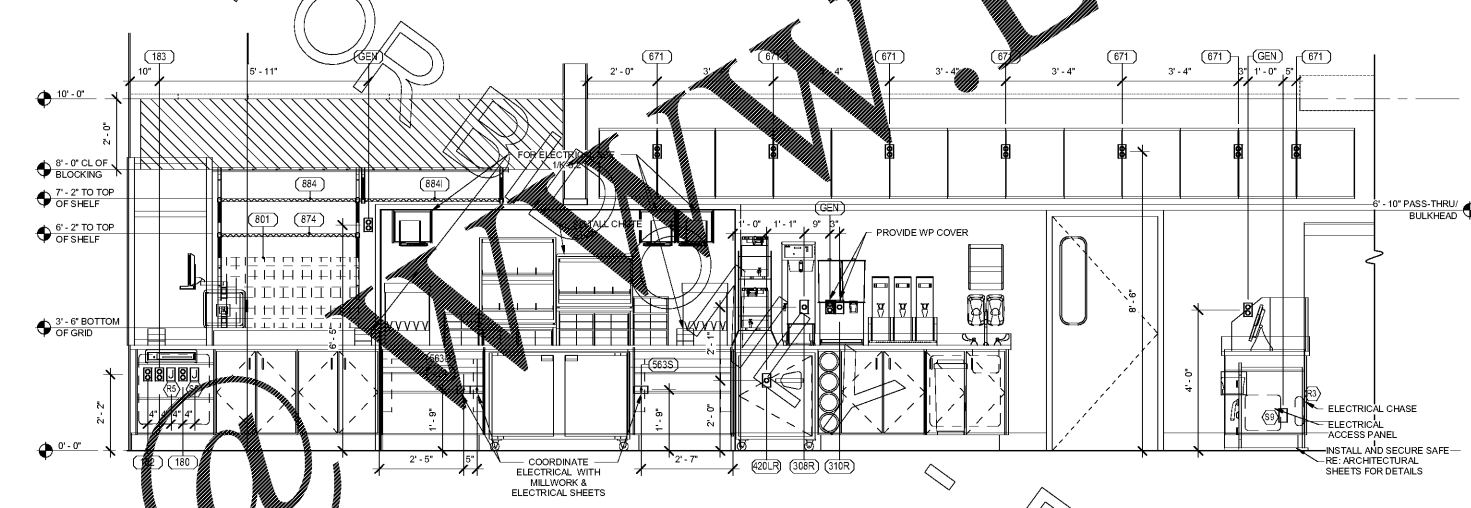
1 SERVING / DRIVE-THRU  
1/2" = 1'-0"



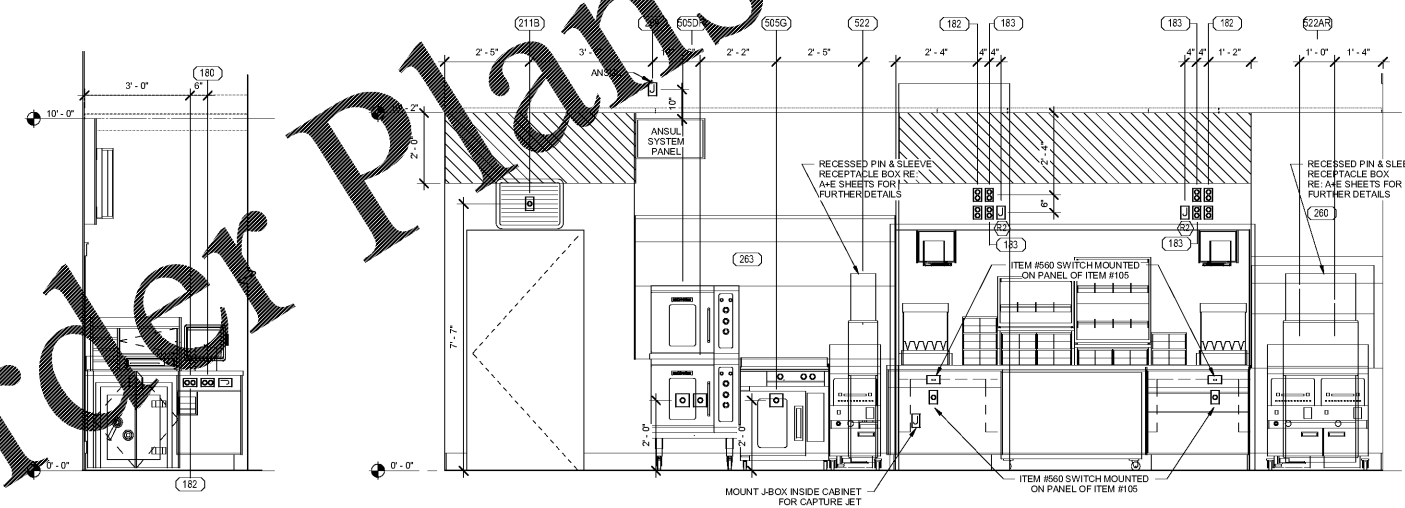
2 DRIVE - THRU  
1/2" = 1'-0"



3 DRIVE - THRU  
1/2" = 1'-0"

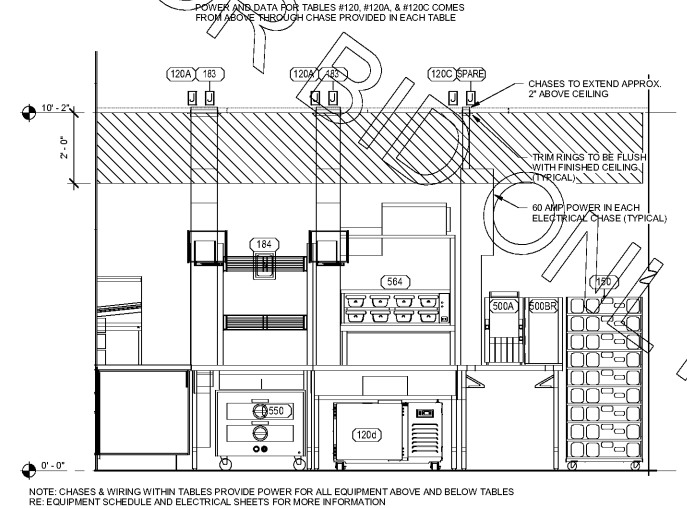


4 SERVING / DRIVE THRU  
1/2" = 1'-0"



5 SERVING  
1/2" = 1'-0"

6 KITCHEN  
1/2" = 1'-0"



7 KITCHEN  
1/2" = 1'-0"

**ELEVATION LEGEND**

- EQUIPMENT NUMBER
- INDICATES NOTE ON SHEET
- SWITCHER RECEPTACLE
- DUPLEX RECEPTACLE
- SWITCH
- PHONE
- TERMINATION OF PVC CONDUIT FOR RADIANT PDS SYSTEM
- DOUBLE DUPLEX RECEPTACLE
- SPECIAL RECEPTACLE
- HUMIDITY SENSOR
- TEMPERATURE SENSOR
- SMOKE DETECTOR LED (GAMMA BOX)
- SECURITY KEYPAD



**CHICK-FIL-A**  
**SOUTH COBB DRIVE**  
 3100 South Cobb Dr SE, Smyrna GA 30080

**FSR# 00810**

**REVISION SCHEDULE**

NO.	DATE	DESCRIPTION

CURRENT TEMPLATE: SOB-V6  
 UPDATE APPD. ED: 00610  
 ARCHITECT TO PROJECT #: BID  
 PRINTED FOR: BID  
 DATE: 02/05/2018  
 DRAWN BY:

BID

SHEET  
**ELECTRICAL ROUGH-IN ELEVATIONS**  
 SHEET NUMBER  
**K-301**

Order Plans @ [www.ldiline.com](http://www.ldiline.com)

2/5/2018 4:07:37 PM