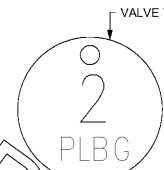


VALVE TAG LEGEND	
VALVE	VALVE POSITION
① MAIN WATER SHUT-OFF	NORMALLY OPEN
② MAIN DRAIN	NORMALLY CLOSED
③ ACCESSORY SHUT-OFF	NORMALLY OPEN
④ WATER FILTER INLET	NORMALLY OPEN
⑤ RECIRC PUMP ISOLATION VALVE	NORMALLY OPEN
⑥ WATER HEATER INLET	NORMALLY OPEN
⑦ RESTROOM & KITCHEN COLD WATER	NORMALLY OPEN
⑧ POST HYDRANT COLD WATER	NORMALLY OPEN
⑨ GAS TO WATER HEATER	NORMALLY OPEN
⑩ WATER HEATER OUTLET	NORMALLY OPEN

LAMINATE VALVE TAG LEGEND AND MOUNT PERMANENTLY WHERE SHOWN ON WATER HEATER DETAIL IN AN ALUMINUM FRAME EQUAL TO SETON #68624.



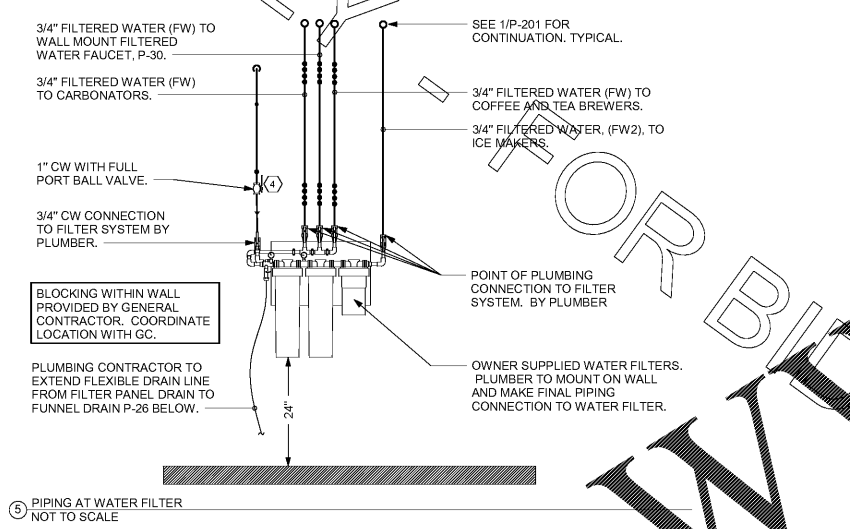
- ② VALVE TAG SYMBOL AS SHOWN ON DETAIL 6/P-303. PROVIDE 1-1/2" ROUND BRASS VALVE TAG WITH 1/2" HIGH BLACK FILLED LETTERING. EACH TAG SHALL INDICATE VALVE NUMBER AND WILL ALSO HAVE "PLBG" STAMPED ON THE TAG IN 1/4" HIGH BLACK FILLED LETTERING EQUAL TO SETON #M4506. HANG WITH BRASS JACK CHAIN ON VALVE HANDLE.
- ③ VALVE TAGS AND LEGEND NOT TO SCALE

2. KITCHEN EQUIPMENT SCHEDULE							
TAG	DESCRIPTION	FW	FW2	CW	HW	WASTE	ROUGH-IN
305	TEA BREWER	1/2"	X	X	X	X	P-24, SEE K-4.1 & 6/P-211
308	COFFEE MAKER	1/2"	X	X	X	X	P-24, SEE K-4.1 & 6/P-211
318A	CARBONATOR BFP PANEL	3/4"	X	X	X	X	P-28, SEE K-4.1
350	WATER FILTER PANEL	(3) 3/4"	3/4"	3/4"	X	X	SEE DET 5/P-303
365	POT SINK	X	X	(2) 1/2"	(2) 1/2"	INDIRECT	TWO #365F FAUCETS, P-9 SEE K-4.1
367	VEGETABLE PREP SINK	X	X	1/2"	1/2"	INDIRECT	#367F FAUCET, P-8 SEE K-4.1
367FW	FILTERED WATER FAUCET	(2) 1/2"	X	X	X	X	P-30 48" AFF.
370	MOP SINK	X	X	1/2"	1/2"	3" P-35	P-7 SEE K-4.1
380	ICE BIN	X	X	X	X	INDIRECT	SEE DET 3/P-201
380Z	ICE MAKER	X	(2) 1/2"	X	X	INDIRECT	P-23 SEE K-4.1 & 3/P-201

FIXTURE CONNECTION SCHEDULE						
MARK	FIXTURE	FW	FW2	CW	HW	WASTE
P-1	WATER CLOSET - WALL MOUNT (1.28 GPF)	X	X	1"	X	3"
P-2	WATER CLOSET - ADA WALL MOUNT (1.28 GPF)	X	X	1"	X	3"
P-3	URINAL - ADA WALL HUNG (0.125 GPF)	X	X	3/4"	X	2"
P-4	LAVATORY - ADA COUNTERTOP (0.50 GPM)	X	X	1/2"	1/2"	1-1/4"
P-5	KITCHEN HAND SINK - WALL HUNG (0.50 GPM)	X	X	1/2"	1/2"	1-1/2"
P-6	SINGLE COMP SINK - COUNTERTOP (0.50 GPM)	X	X	1/2"	1/2"	1-1/2"
P-7	MOP SINK	X	X	1/2"	1/2"	3"
P-8	VEGETABLE PREP SINK (0.65 GPM SPRAYER)	X	X	1/2"	1/2"	(2) 1-1/2"
P-9	POT SINK (0.65 GPM SPRAYER)	X	X	(2) 1/2"	(2) 1/2"	(4) 1-1/2"
P-10	FLOOR DRAIN (ROUND TOP)	X	X	X	X	3"
P-11	WALL HYDRANT (NON FREEZE)	X	X	3/4"	X	X
P-12	FUNNEL DRAIN (3")	X	X	X	X	3"
P-13A	FLOOR SINK (3") 12" TOP	X	X	X	X	3"
P-13B	FLOOR SINK (3") 8" TOP	X	X	X	X	3"
P-14	CLEANOUT INSIDE BUILDING	X	X	X	X	SEE PLAN
P-15	CLEANOUT OUTSIDE BUILDING	X	X	X	X	SEE PLAN
P-16	3-WAY VALVE/ VACUUM BREAKER	X	X	3/4"	3/4"	X
P-17	VACUUM RELIEF VALVE	X	X	3/4"	X	X
P-18	EXPANSION TANK	X	X	3/4"	X	X
P-19	WATER HEATER	X	X	1"	1"	X
P-20	THERMOMETER	X	X	1/2"	1/2"	X
P-21	BACKFLOW PREVENTER	X	X	1/2"	1/2"	X
P-22	MOP SINK CHECK VALVES	X	X	1/2"	1/2"	X
P-23	UTILITY CONNECTION (ICE MAKER)	X	1/2"	X	X	X
P-24	UTILITY CONNECTION (COFFEE & TEA)	1/2"	X	X	X	X
P-25	SHOCK ABSORBER	1/2"	1/2" & 3/4"	1/2"	1/2"	X
P-26	FUNNEL DRAIN	X	X	X	X	3"
P-26A	TRAP SEAL PROTECTOR	X	X	X	X	3"
P-27	WATER PRESSURE GAUGE	X	X	1/4"	X	X
P-28	BALL VALVE-CARBONATOR STOP	1"	X	X	X	X
P-29	ICE MACHINE CONNECTION	X	X	X	X	3"
P-30	FILTERED WATER FAUCET	(2) 1/2"	X	X	X	X
P-31	DUMP SINK	X	X	3/4"	X	X
P-32	DUMPSINK DRAIN	X	X	X	X	3"
P-33	TRAP PRIMER (MECHANICAL)	X	X	1/2"	X	X
P-34	DISPENSER BACKFLOW PREVENTER	1/2"	X	X	X	X
P-35	FLOOR DRAIN (ROUND TOP)	X	X	X	X	3"
P-36	BEVERAGE TO INDIRECT RECEIVER	X	X	X	X	3"
P-37	FLOOR DRAIN (ROUND TOP)	X	X	X	X	3"
P-38	HOT WATER CIRCULATING PUMP	X	X	X	1/2"	X
P-39	PRESSURE REDUCING VALVE	X	X	2"	X	X
P-40	WYE STRAINER	X	X	2"	X	X

NOTE: REFER TO FOOD SERVICE DRAWINGS FOR KITCHEN EQUIPMENT INSTALLATION AND HOOK-UP RESPONSIBILITIES.

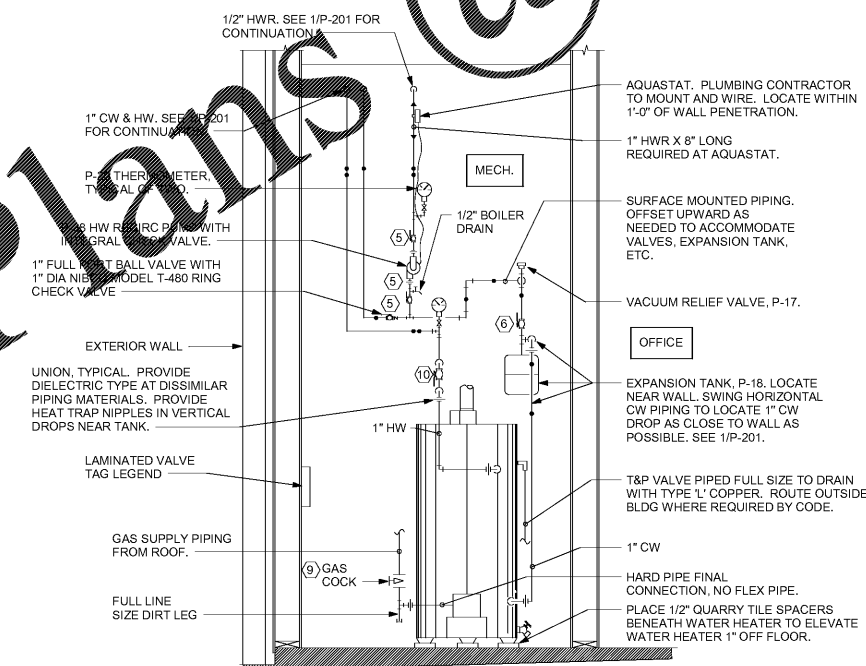
② MANIFOLD POT SINK DRAINS TOGETHER.



⑤ PIPING AT WATER FILTER NOT TO SCALE

NOTES TO WATER HEATER INSTALLER:

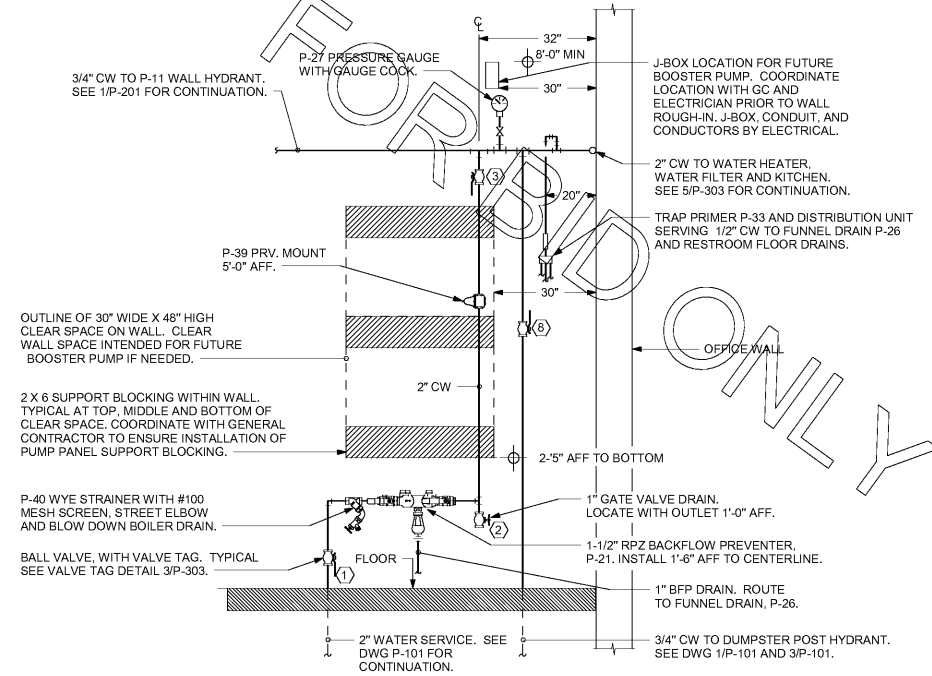
- POSITION VALVES AND TRIM IN MECH ROOM SUCH THAT VALVES AND TRIM ARE UNOBSTRUCTED TO VIEW AND SO THAT ACCESS FOR OPERATION OR REPAIR IS POSSIBLE WITHOUT USE OF STEP LADDERS OR NEED TO DISASSEMBLE ANY COMPONENTS.
- VENT HEATER UP THRU MECH ROOM ROOF PER MANUFACTURER'S RECOMMENDATIONS.



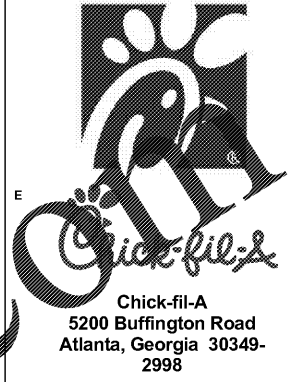
⑥ PIPING AT WATER SERVICE NOT TO SCALE

NOTE OF SPECIAL IMPORTANCE:

- LOCATIONS OF 2" CW RISER AND CLEAR SPACE ARE DIMENSIONED BECAUSE THEY ARE CRITICAL FOR THE FUTURE PUMP PANEL INSTALLATION.
- GENERAL CONTRACTOR SHALL ENSURE OTHER TRADES SHALL NOT INSTALL ANY OTHER BUILDING COMPONENT WITHIN CLEAR SPACE OR WITHIN 10" OF EDGES.



④ PIPING AT WATER SERVICE ENTRANCE IN MECHANICAL ROOM NOT TO SCALE



Chick-fil-A
5200 Buffington Road
Atlanta, Georgia 30349-2998

INTERPLAN
ARCHITECTURE
ENGINEERING
INTERIOR DESIGN
PROJECT MANAGEMENT

604 COURTLAND STREET
SUITE 100
ORLANDO, FLORIDA 32804
PH 407.645.5008
FX 407.629.9124

SEAL:
THIS DOCUMENT IS NOT FOR CONSTRUCTION
UNLESS THE ARCHITECT OR ENGINEER'S
SIGNATURE AND SEAL APPEAR BELOW.

CHICK-FIL-A
SAR South Cobb Drive FSR
3100 South Cobb DR SE, Smyrna, GA 30080

FSR# 00810

REVISION SCHEDULE		
NO.	DATE	DESCRIPTION

CONSULTANT PROJECT # 2017.0165
PRINTED FOR BID
DATE September 09, 2017
DRAWN BY DG

Information contained on this drawing and all digital files produced for this project shall remain the property of the architect or engineer and shall not be reproduced or transmitted in any form or by any means without the prior written consent of the architect or engineer.

SHEET
DETAILS & SCHEDULES

SHEET NUMBER
P-303

Order Plans

2/5/2018 8:56 PM