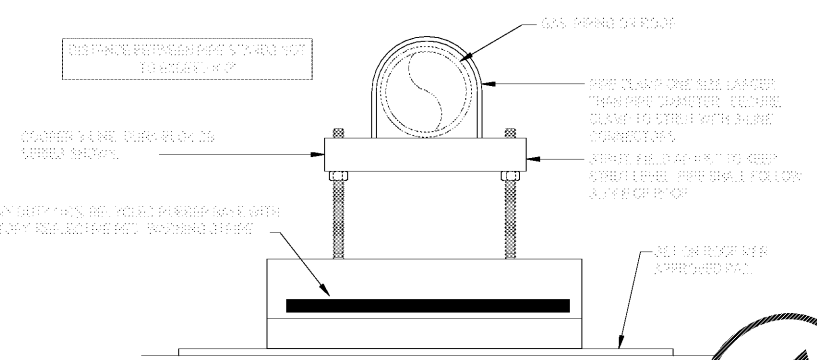
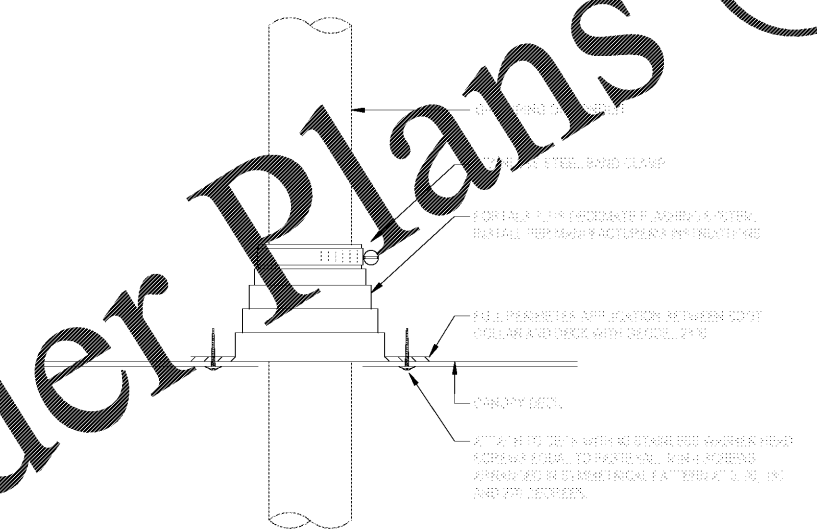


1 PIPING SUPPORT ON CANOPY
NO SCALE

- NOT AN EXHAUST SYSTEM. PREPARE TO BE PROTECTED FROM DAMAGE BY THE INSTALLED EXHAUST SYSTEM.
- PROTECT VENT LINE FROM DAMAGE BY EXHAUST SYSTEMS. PROTECT FROM GAS PIPING CROSSING OVER EXHAUST SYSTEM.
- EXHAUST SYSTEMS WITH EXHAUST INTO THE EQUIPMENT ROOM SHOULD BE INSTALLED IN A SYSTEM DUE TO THE RISK OF GAS LEAKAGE. EXHAUST SYSTEMS SHOULD BE INSTALLED IN A SYSTEM DUE TO THE RISK OF GAS LEAKAGE.



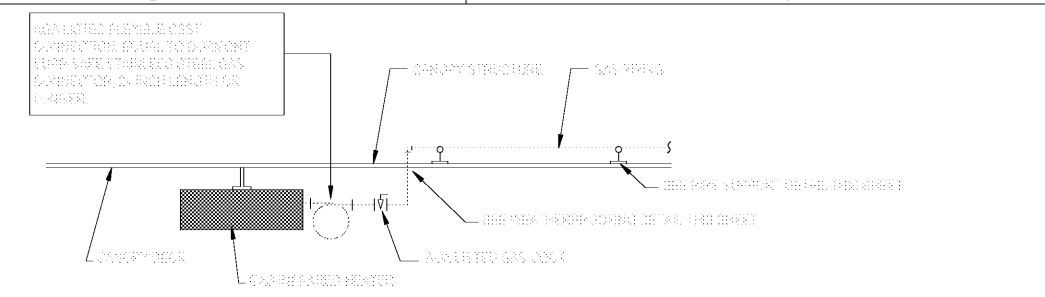
2 GAS CONNECTION AT APPLIANCE
NO SCALE



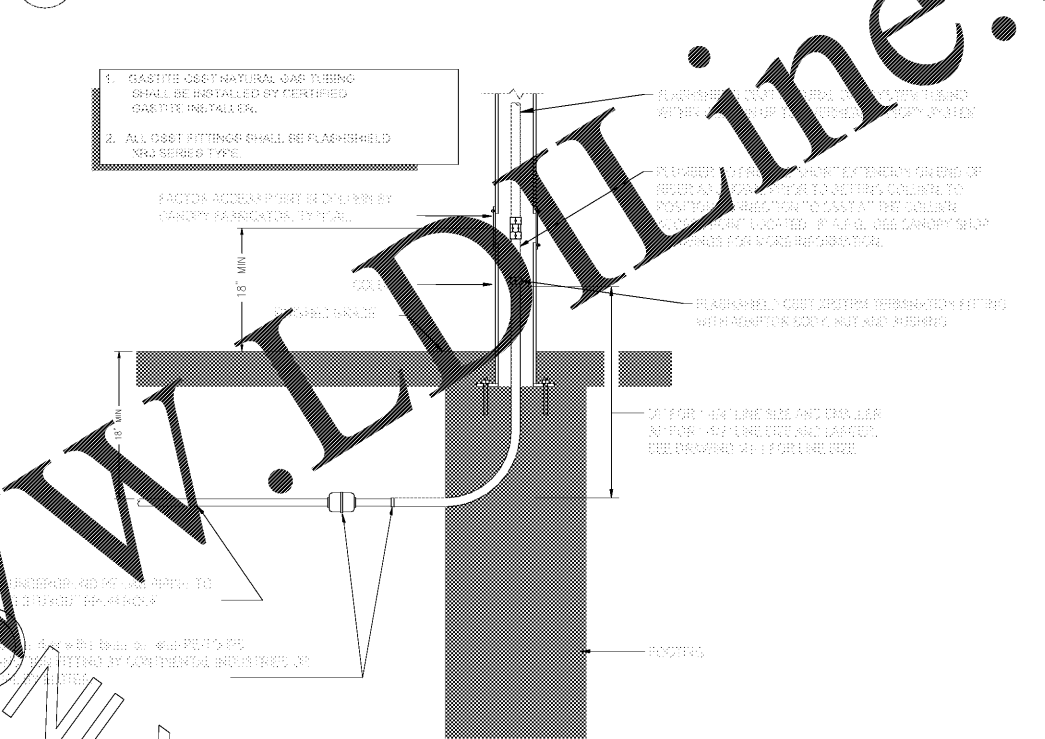
3 PIPING SUPPORT ON MAIN BLDG ROOF
NO SCALE



4 WEATHERPROOFING AT CANOPY PENETRATION
NO SCALE



5 POLYETHYLENE AND CSST GAS TUBING CONNECTION AT COLUMN
NO SCALE



6 HEATER DIMENSIONS & CONFIGURATIONS
NO SCALE

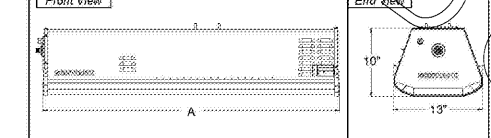
14. HEATER DIMENSIONS & CONFIGURATIONS

Table 5: CAPACITIES & CONFIGURATIONS

| MODEL | Voltage VAC | Current amps | Btu/hr input | Total Weight (lbs.) | Length < A > |
|------------------|-------------|--------------|--------------|---------------------|--------------|
| 2312 / IO 212-LP | 24 | 40 VA | 23,000 | 32 | 30 1/2" |
| 2313 / IO 213-NG | 24 | 40 VA | 35,000 | 44 | 43 1/2" |
| 2313 / IO 213-LP | 24 | 40 VA | 35,000 | 44 | 43 1/2" |

* For a multiple heater installation, the first heater is sized at 20VA and each consecutive heater is sized at 20VA. The sum total will be the required Transformer size. If total VA exceeds one transformer size select the next higher VA sized transformer.

Figure 5: DIMENSIONS



15. MOUNTING KIT OPTIONS (NOTE: For unusual mounting application contact manufacturer.)

The heater is supplied with chain mounting bracket JP-2300-HS. Other optional mounting kits are available:

| ITEM NO | PART NUMBER | DESCRIPTION |
|---------|-------------|-----------------------|
| 1 | JP-2300-MB | WALL MOUNTING BRACKET |
| 2 | JP-2300-MK | ARM MOUNTING BRACKET |
| 3 | JP-2300-PK | POST BRACKET |

WARNING: Wall Mounting Bracket JP-2300-MB, or Arm Mounting Bracket JP-2300-MK: Ensure that anchoring to the structure is of sufficient strength, integrity and workmanship, to adequately support the weight of the heater and any other potential loads such as snow build up.



Chick-fil-A
3200 Buffington Road
Atlanta, Georgia 30349-2998

INTERPLAN
ARCHITECTURE
ENGINEERING
INTERIOR DESIGN
PROJECT MANAGEMENT

604 COURTLAND STREET
SUITE 100
ORLANDO, FLORIDA 32804
PH 407.645.5008
FX 407.629.9124

SEAL
THIS DOCUMENT IS NOT FOR CONSTRUCTION
UNLESS THE ARCHITECT OR ENGINEER'S
SIGNATURE AND SEAL APPEAR BELOW.

CHICK-FIL-A
SAR South Cobb Drive FSR
3100 South Cobb DR SE, Smyrna, GA 30080

FSR# 00810

REVISION SCHEDULE

| NO. | DATE | DESCRIPTION |
|-----|------|-------------|
| | | |

CONSULTANT PROJECT # 2017.0165

PRINTED FOR BID

DATE September 08, 2017

DRAWN BY DG

Information contained on this drawing and in all digital files
thereof is the property of Chick-fil-A and is to be used only for the
project and location specified. No other use or reproduction is
authorized without written permission.

SHEET PLUMBING DETAILS

SHEET NUMBER **P-280**

Order Plans @ WAWWLDOnline.com

2/5/2017 4:40:45 PM

COPYRIGHT © 2017 INTERPLAN ARCHITECTURE ENGINEERING INTERIOR DESIGN PROJECT MANAGEMENT. ALL RIGHTS RESERVED. REPRODUCTION, CHANGE OR DISTRIBUTION OF ANY PART OF THIS DOCUMENT IS PROHIBITED.