



Chick-fil-A
5200 Buffington Road
Atlanta, Georgia 30349-2998

INTERPLAN

ARCHITECTURE
ENGINEERING
INTERIOR DESIGN
PROJECT MANAGEMENT
604 GOURLAND STREET
SUITE 100
ORLANDO, FLORIDA 32804
PH 407.646.5028
FX 407.629.9124



BRITT PETERS ASSOCIATES
ARCHITECTURE ENGINEERING
999 WATERSIDE DRIVE
SUITE 2022
NORFOLK, VA 23510
PH 757.965.5710
BPAP 170944

SEAL: THIS DOCUMENT IS NOT FOR CONSTRUCTION. SIGNATURE AND SEAL APPEAR BELOW.



10/27/17

CHICK-FIL-A
SAR South Cobb Drive FSR
3100 South Cobb Dr SE, Smyrna, GA 30080

FSR# 00810

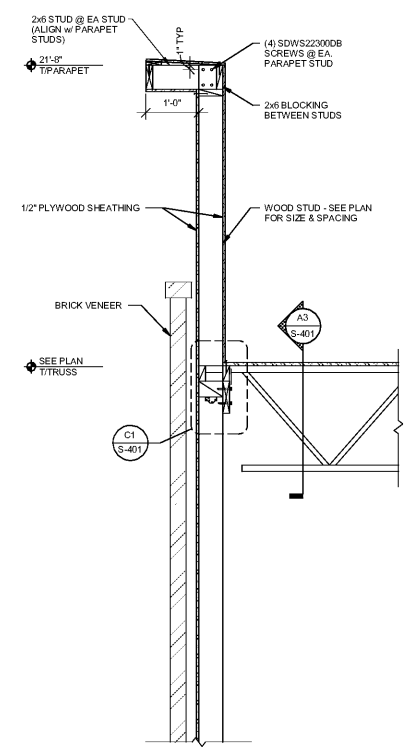
REVISION SCHEDULE
NO. DATE DESCRIPTION

NO.	DATE	DESCRIPTION

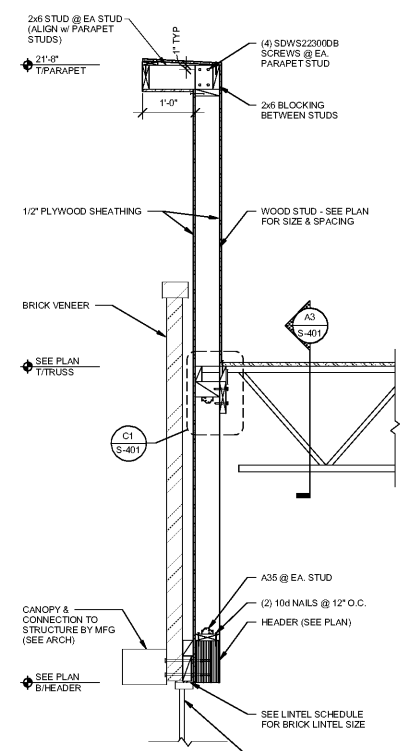
CONSULTANT PROJECT # 170944
PRINTED FOR Permit
DATE September 21, 2017
DRAWN BY NJJ
DESIGNED BY WBU

SECTION & DETAILS

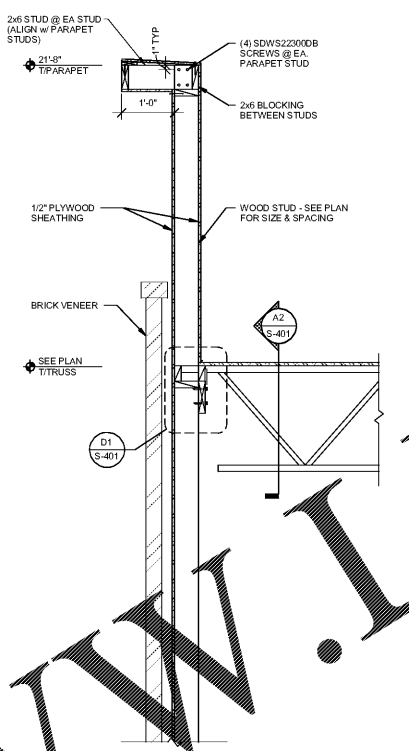
SHEET NUMBER
S-403



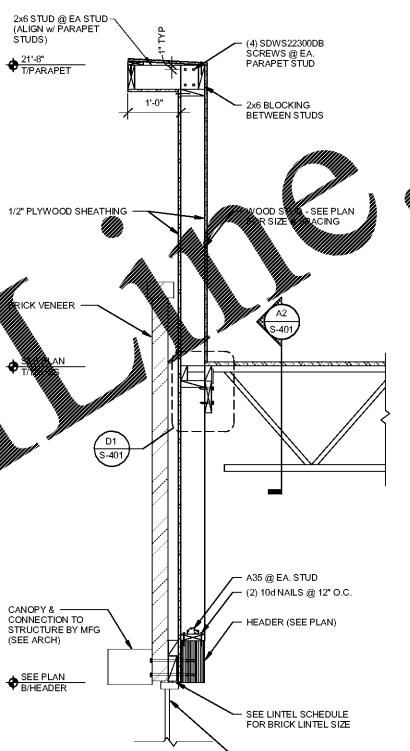
C4 BEARING WALL @ HIGH PARAPET
3/4" = 1'-0"



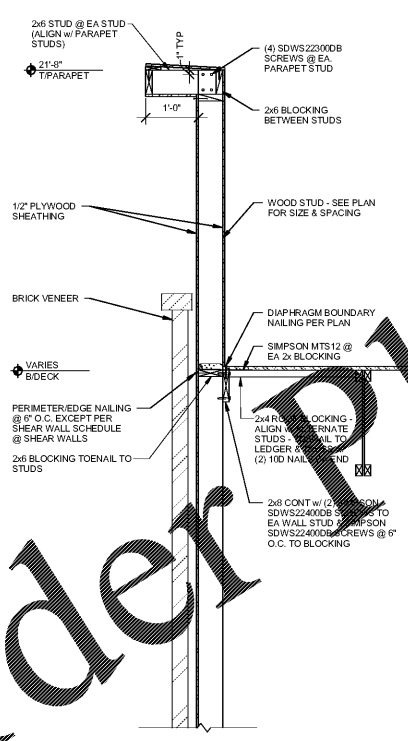
C3 BEARING WALL @ HIGH PARAPET W/ WINDOW
3/4" = 1'-0"



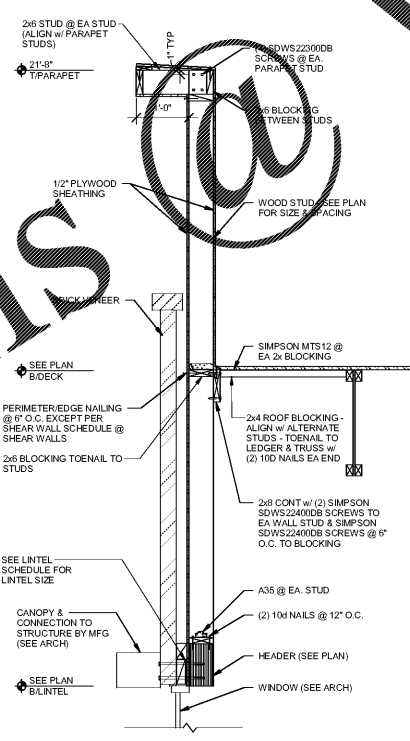
C2 BEARING WALL @ HIGH PARAPET
3/4" = 1'-0"



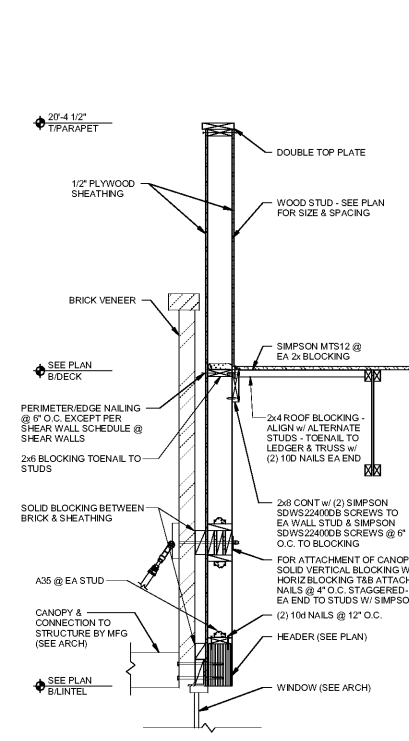
C1 BEARING WALL @ HIGH PARAPET W/ WINDOW
3/4" = 1'-0"



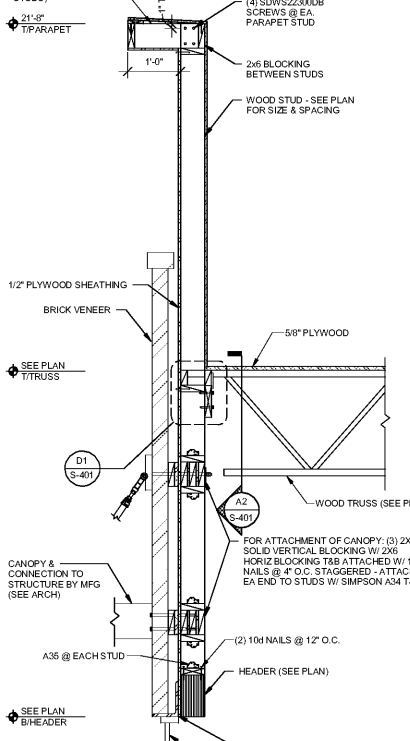
A4 NON-BEARING @ HIGH PARAPET
3/4" = 1'-0"



A3 NON LOAD BEARING WALL SECTION W/ HIGH PARAPET WINDOW
3/4" = 1'-0"



A2 NON LOAD BEARING WALL SECTION @ WINDOWS & CANOPY
3/4" = 1'-0"



A1 DRIVE THROUGH WALL SECTION
3/4" = 1'-0"

Order Plans @
9/26/2017 10:04:27 PM

WWW.LDOnline.com

Permit

COPYRIGHT © 2017 INTERPLAN. REPAIRS, COPIES, OR OTHER REUSE OF THIS DOCUMENT IS PROHIBITED. REPRODUCTION, CHANGE OR ADDITION ARE PROHIBITED.