

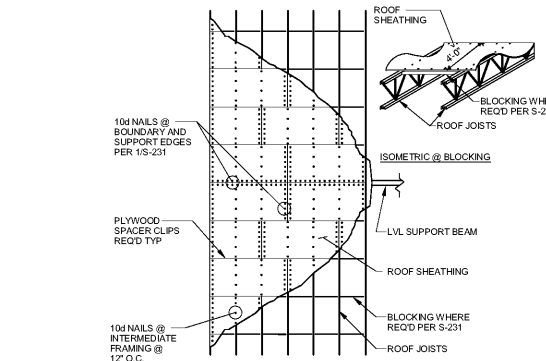
E

D

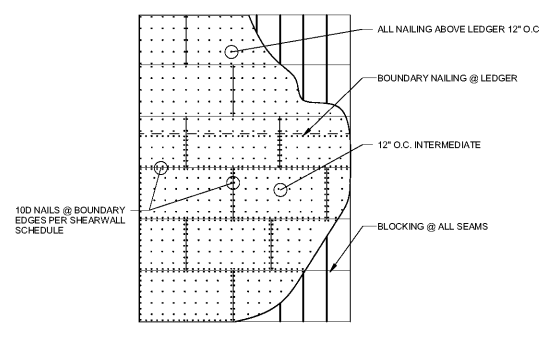
C

B

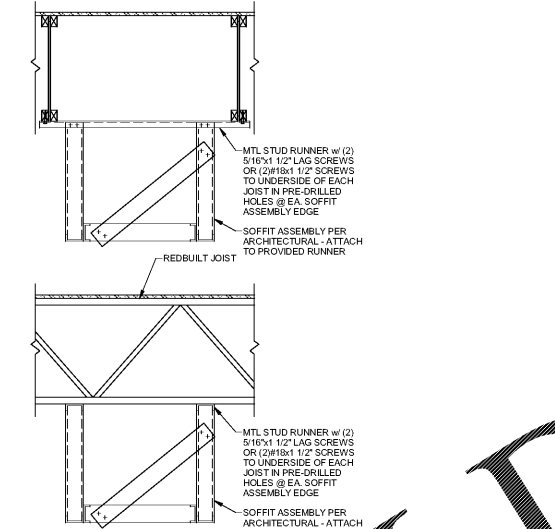
A



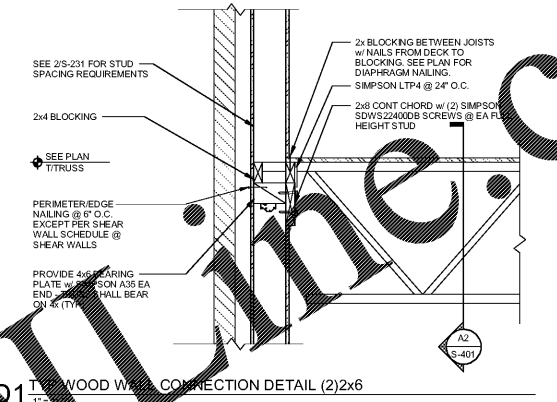
D4 ROOF DIAPHRAGM NAILING N.T.S.



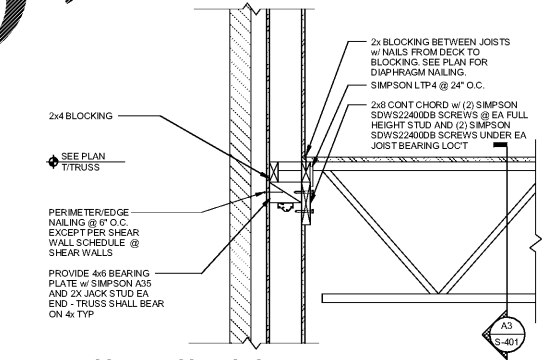
D3 TYP SHEAR WALL SHEATHING 1/4" x 1'-0"



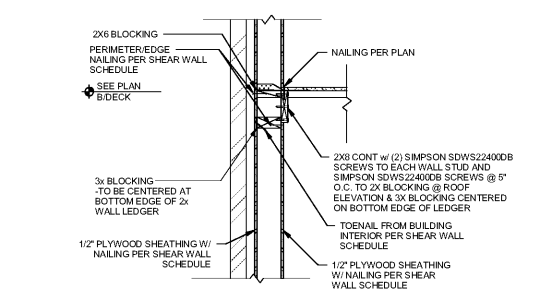
D2 TYPICAL HUNG SOFFIT 3/4" x 1'-0"



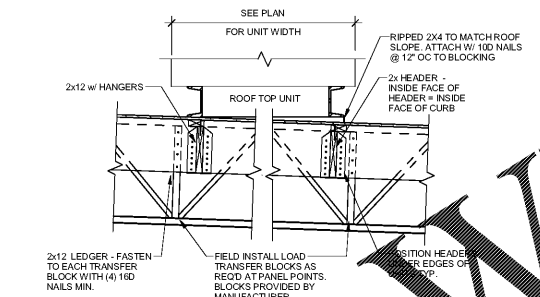
D1 TYP WOOD WALL CONNECTION DETAIL (2)x6 1" x 1'-0"



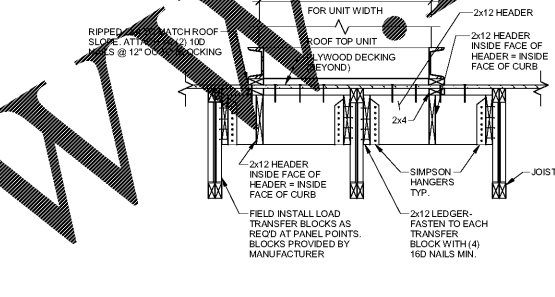
C1 TYP WOOD WALL CONNECTION DETAIL 1" x 1'-0"



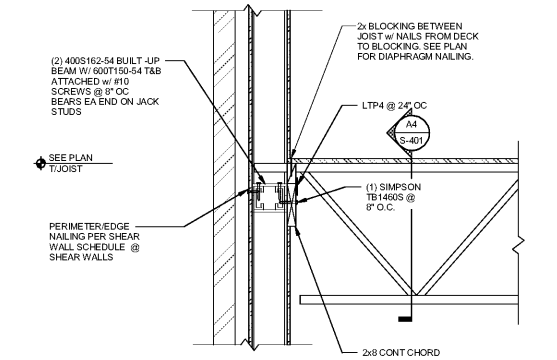
C4 DOUBLE SIDED SHEAR WALL DETAIL 3/4" x 1'-0"



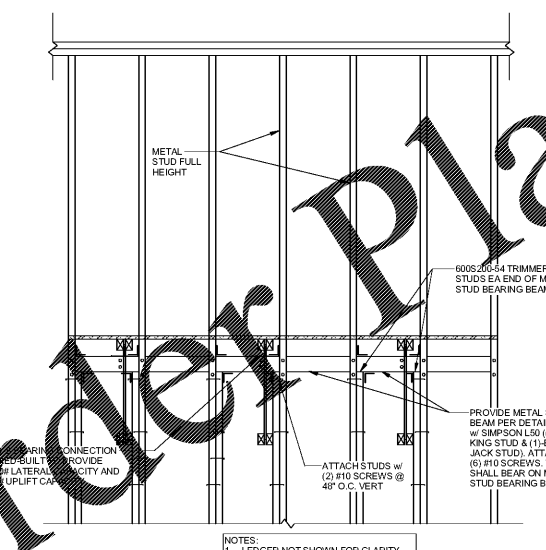
C3 SECTION @ RTU FRAMING 3/4" x 1'-0"



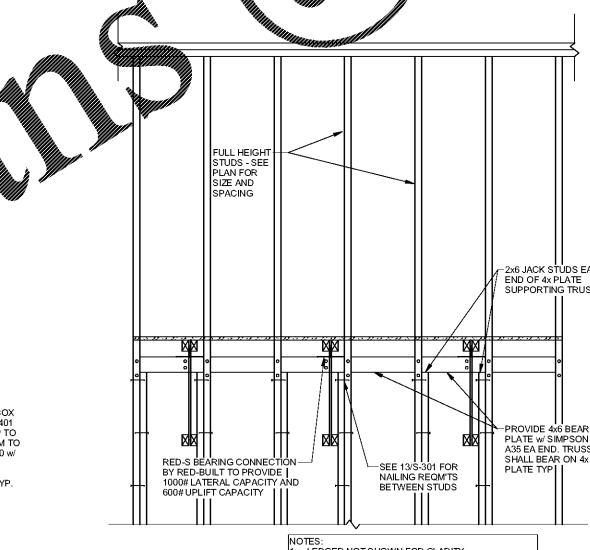
C2 TYP RTU FRAMING SECTION 3/4" x 1'-0"



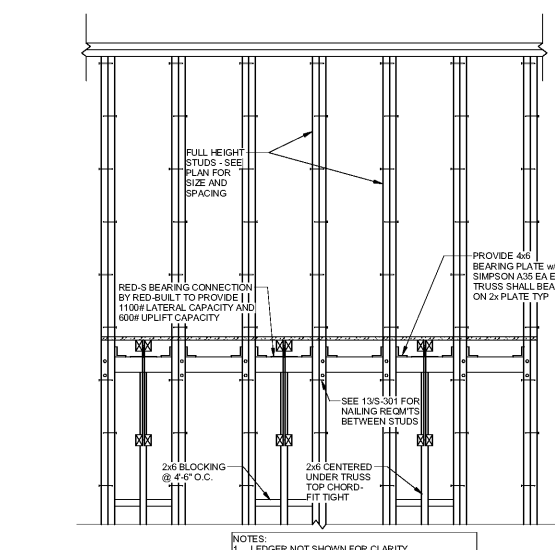
B1 TYP METAL STUD WALL CONNECTION DETAIL 1" x 1'-0"



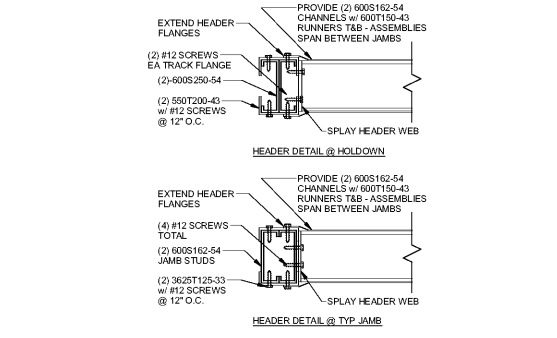
A4 ELEVATION AT METAL STUD WALL 3/4" x 1'-0"



A3 ELEVATION @ LOAD BEARING WALLS 3/4" x 1'-0"



A2 ELEVATION @ LOAD BEARING WALLS - (2)x6 3/4" x 1'-0"



A1 DETAIL @ HEADER TO JAMB CONNECTION 1 1/2" x 1'-0"



Chick-fil-A
5200 Buffington Road
Atlanta, Georgia 30349-2998

INTERPLAN
ARCHITECTURE
ENGINEERING
INTERIOR DESIGN
PROJECT MANAGEMENT
604 COURTLAND STREET
SUITE 100
ORLANDO, FLORIDA 32804
PH 407.545.5028
FX 407.629.9124

BRITT, PETERS
ASSOCIATES
ARCHITECTURE ENGINEERING
999 WATERSIDE DRIVE
SUITE 2022
NORFOLK, VA 23510
PH 757.965.5710
BPAA# 170944



CHICK-FIL-A
SAR South Cobb Drive FSR
3100 South Cobb Dr SE, Smyrna, GA 30080

FSR# 00810

REVISION SCHEDULE		
NO.	DATE	DESCRIPTION

CONSULTANT PROJECT # 170944
PRINTED FOR Permit
DATE September 21, 2017
DRAWN BY JNJ
DESIGNED BY WBU
Information contained on this drawing and all of the rights therein are the property of the architect and shall not be reproduced or transmitted in any manner without express written or verbal consent from the architect's registered representative.

SHEET SECTIONS & DETAILS
SHEET NUMBER
S-401

Order Plans @

9/29/2017 10:04:22 PM