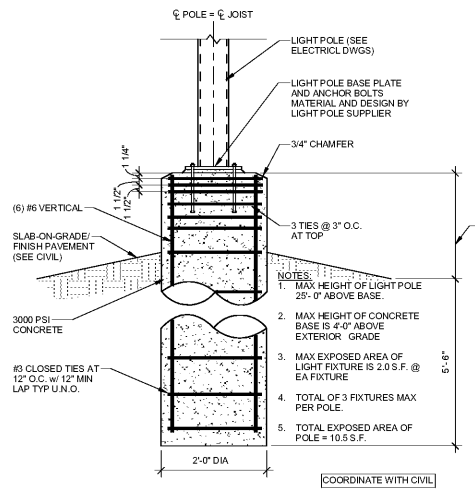
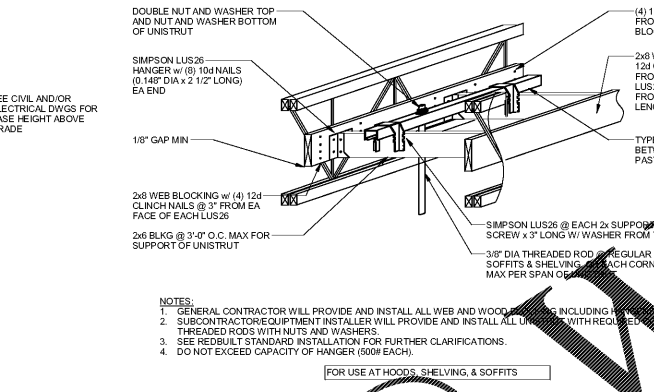


D4 HOLD-DOWN DETAIL @ SHEARWALL & POSTS  
N.T.S.

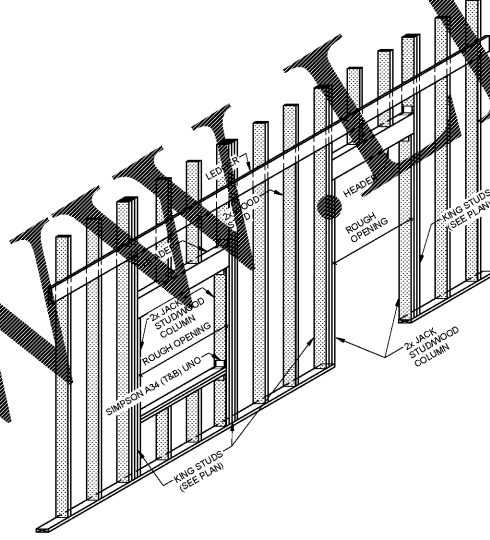
D1 TYP. SHEARWALL  
N.T.S.



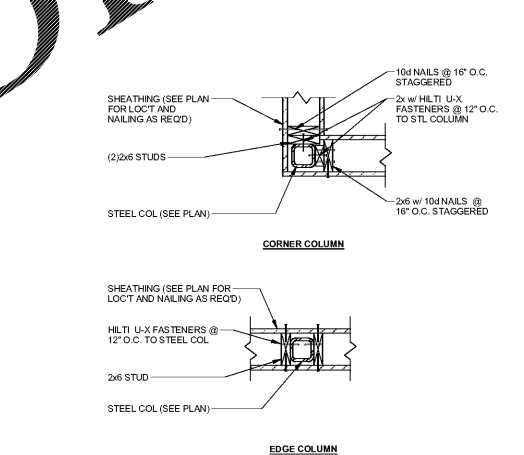
C4 LIGHT POLE BASE DETAIL  
3/4" = 1'-0"



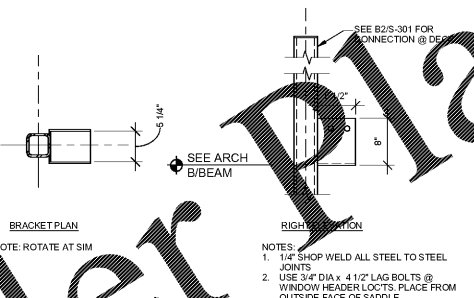
C3 TYP HANGER DETAIL  
3/4" = 1'-0"



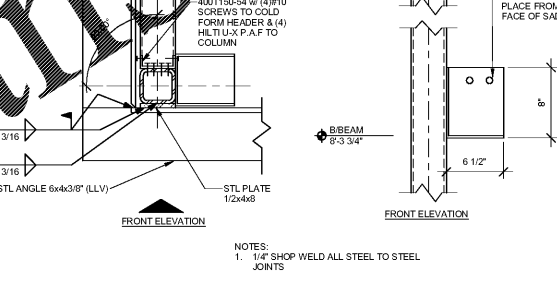
C2 TYP FRAMING ELEVATION  
3/8" = 1'-0"



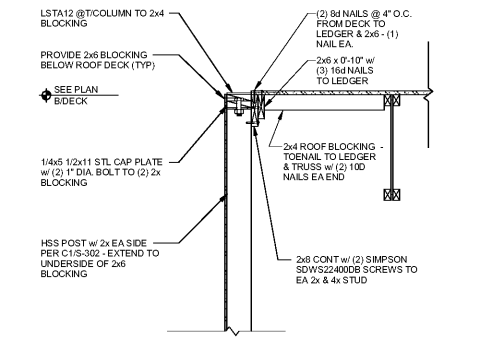
C1 NON-SHEARWALL COLUMN  
1" = 1'-0"



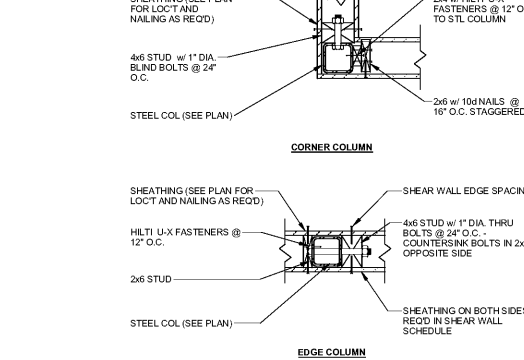
B4 BEAM TO COLUMN  
3/4" = 1'-0"



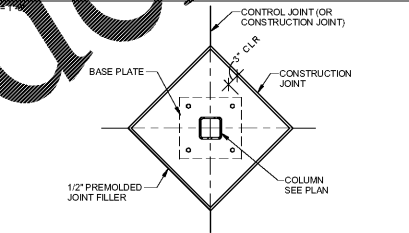
B3 DRIVE THRU COLUMN  
1 1/2" = 1'-0"



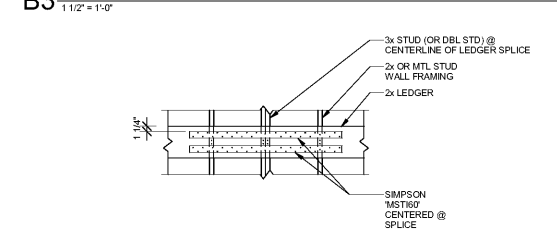
B2 COLUMN TO DECK SECTION  
3/4" = 1'-0"



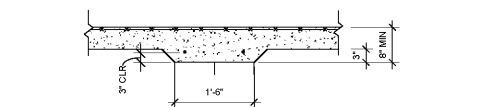
B1 STEEL SHEAR WALL END POST  
1" = 1'-0"



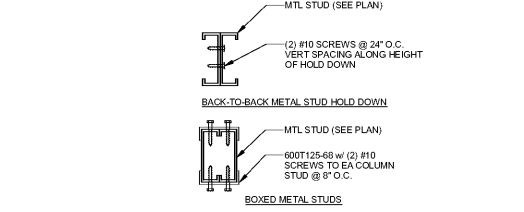
A4 COLUMN ISOLATION JOINTS  
3/4" = 1'-0"



A3 SPLICE DETAIL  
3/4" = 1'-0"



A2 THICKENED SLAB @ TABLE  
3/4" = 1'-0"



1 METAL STUD POST CONSTRUCTION  
1 1/2" = 1'-0"

SIMPSON HOLD-DOWN	STUD SCREWS	MIN POST DEPTH	ANCHOR BOLT (F1554-36)	APPROVED ALTERNATE HILTI HIT-HY 200 ADHESIVE	MIN EDGE DIST FOR ADHESIVE
HDU8-SDS2.5	(20) SDS 1/4" x 2-1/2"	4 1/2"	7/8" DIA x 1'-0" EMBED INTO TURN-DOWN	5/8" DIA x 1'-0" EMBED INTO TURN-DOWN	2 3/4" FROM TURN-DOWN EDGE
HDU11-SDS2.5	(30) SDS 1/4" x 2-1/2"	5 1/2"	1" DIA x 1'-0" EMBED INTO FOOTING	1" DIA x 1'-0" EMBED INTO FOOTING	5 1/4" FROM FOOTING EDGE
HDU14-SDS2.5	(36) SDS 1/4" x 2-1/2"	5 1/2"	N/A - MUST USE EPOXY	1" DIA x 1'-0" EMBED INTO FOOTING	8 1/4" FROM FOOTING EDGE
S-HDU6	(12) #14	N/A	1" DIA x 1'-0" EMBED INTO FOOTING	1" DIA x 1'-0" EMBED INTO FOOTING	8 1/4" FROM FOOTING EDGE
S-HDU9	(18) #14	N/A	1" DIA x 1'-0" EMBED INTO FOOTING	1" DIA x 1'-0" EMBED INTO FOOTING	8 1/4" FROM FOOTING EDGE



Chick-fil-A  
5200 Buffington Road  
Atlanta, Georgia 30349-2998

**INTERPLAN**  
ARCHITECTURE  
ENGINEERING  
INTERIOR DESIGN  
PROJECT MANAGEMENT  
604 COURTLAND STREET  
SUITE 100  
ORLANDO, FLORIDA 32804  
PH 407.645.5028  
FX 407.629.9124

**BRITT, PETERS  
ASSOCIATES**  
ARCHITECTURE ENGINEERING  
999 WATERSIDE DRIVE  
SUITE 2022  
NORFOLK, VA 23510  
PH 757.965.5710  
BPAP 170944



**CHICK-FIL-A**  
SAR South Cobb Drive FSR  
3100 South Cobb Dr SE, Smyrna, GA 30080

**FSR# 00810**

REVISION SCHEDULE  
NO. DATE DESCRIPTION

CONSULTANT PROJECT # 170944  
PRINTED FOR Permit  
DATE September 21, 2017  
DRAWN BY NJJ  
DESIGNED BY WBU  
INFORMATION CONTAINED ON THIS DRAWING AND ALL ATTACHED SHEETS IS THE PROPERTY OF INTERPLAN. NO PART OF THIS DRAWING OR ANY INFORMATION THEREON IS TO BE REPRODUCED OR TRANSMITTED IN ANY FORM OR BY ANY MEANS, ELECTRONIC OR MECHANICAL, WITHOUT THE WRITTEN PERMISSION OF INTERPLAN.  
SHEET FOUNDATION DETAILS

SHEET NUMBER  
**S-302**

Order Plans @ WWW.WWWDLINE.COM

9/29/2017 7:04:17 PM