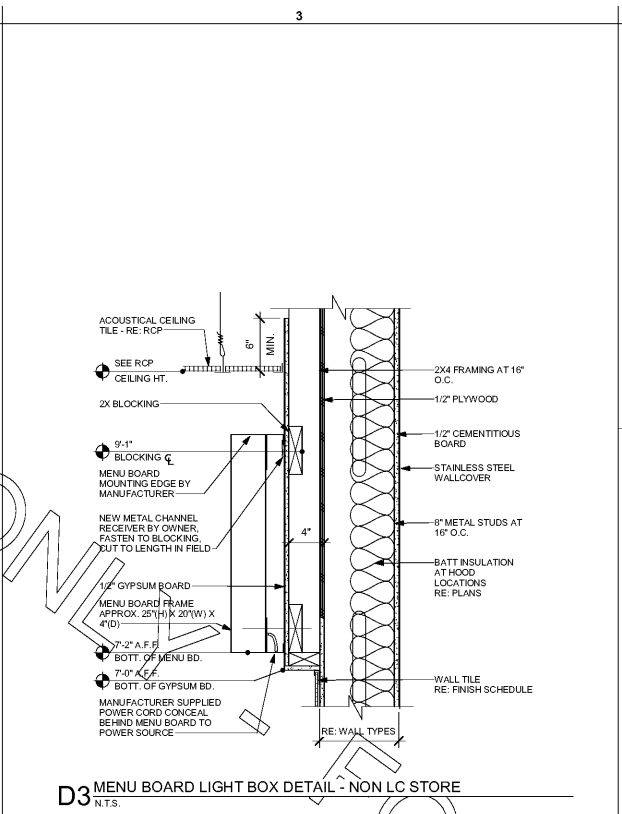
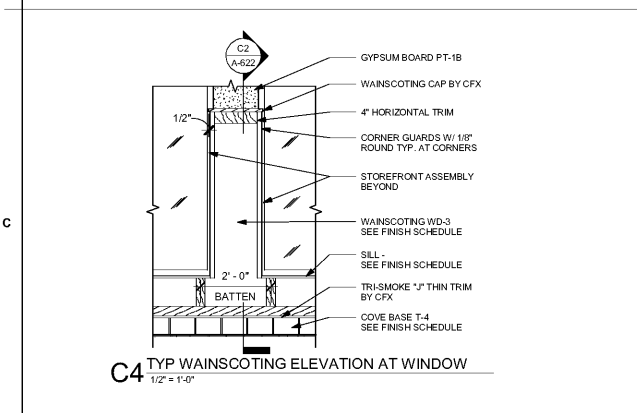


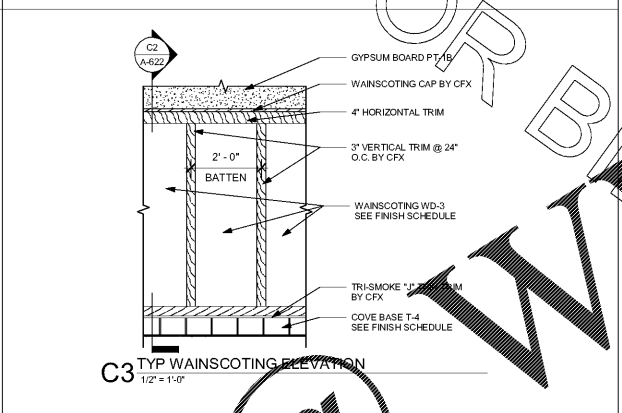
D4 MENU BOARD LIGHT BOX DETAIL - LC STORE
1 1/2" = 1'-0"



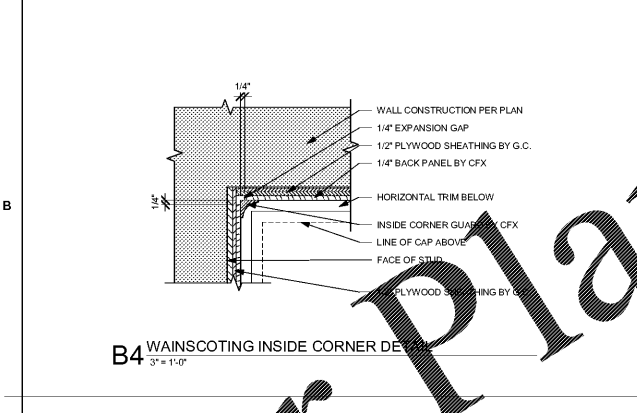
D3 MENU BOARD LIGHT BOX DETAIL - NON LC STORE
N.T.S.



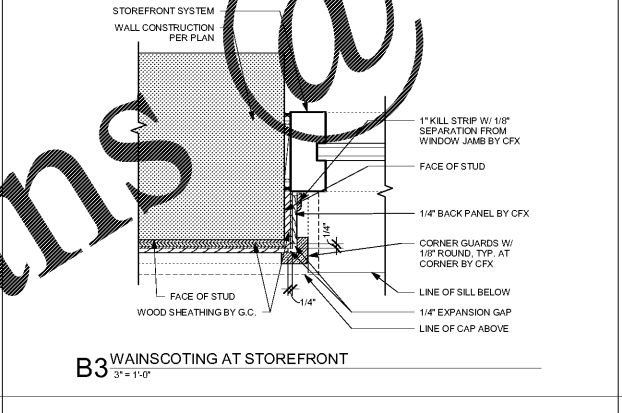
C4 TYP WAINSCOTING ELEVATION AT WINDOW
1/2" = 1'-0"



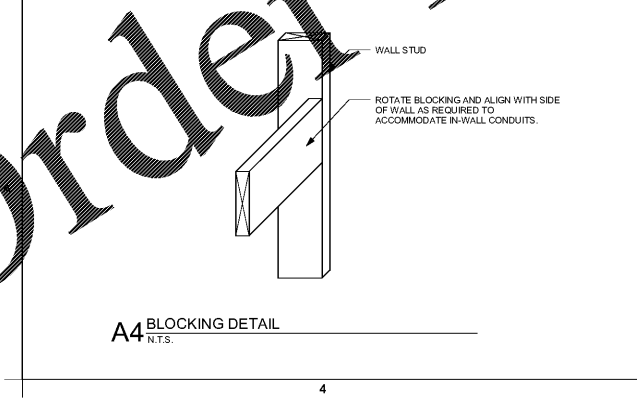
C3 TYP WAINSCOTING ELEVATION
1/2" = 1'-0"



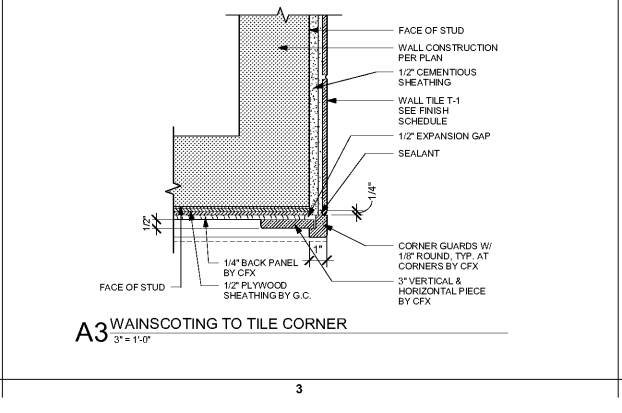
B4 WAINSCOTING INSIDE CORNER DETAIL
3" = 1'-0"



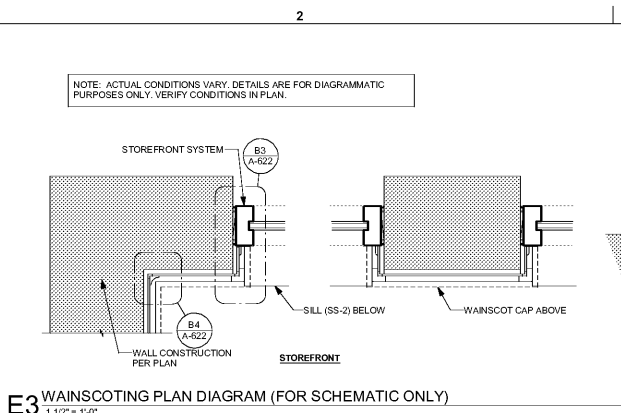
B3 WAINSCOTING AT STOREFRONT
3" = 1'-0"



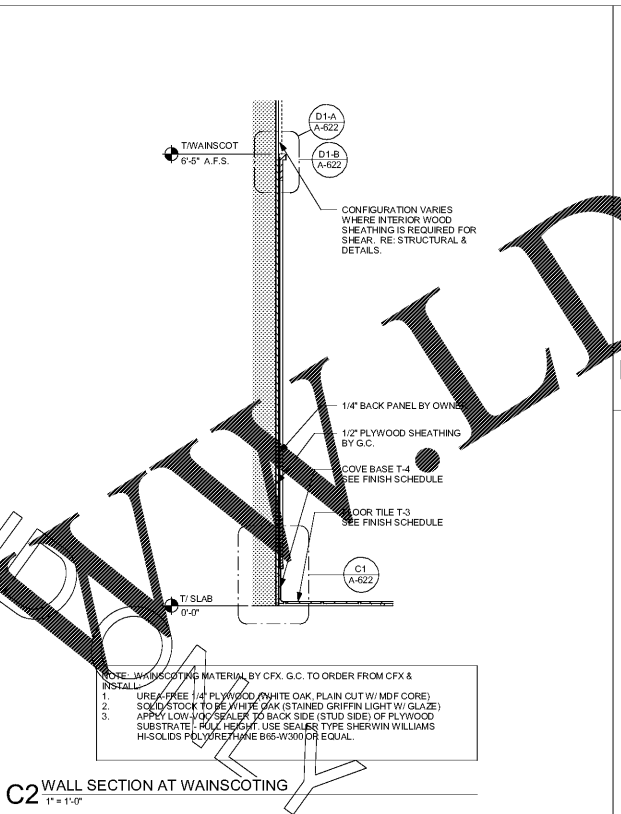
A4 BLOCKING DETAIL
N.T.S.



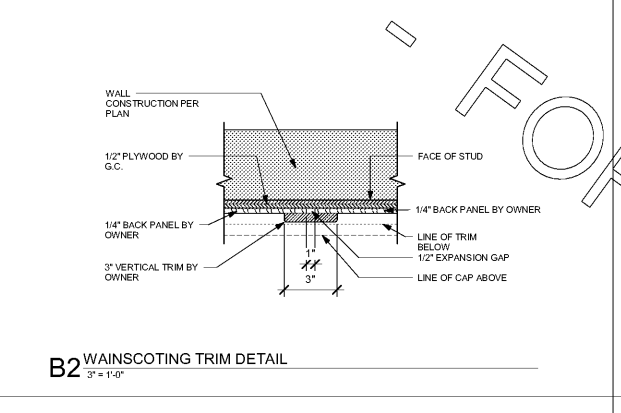
A3 WAINSCOTING TO TILE CORNER
3" = 1'-0"



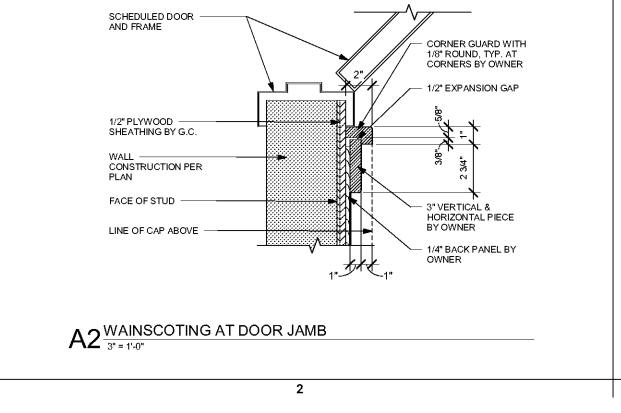
E3 WAINSCOTING PLAN DIAGRAM (FOR SCHEMATIC ONLY)
1 1/2" = 1'-0"



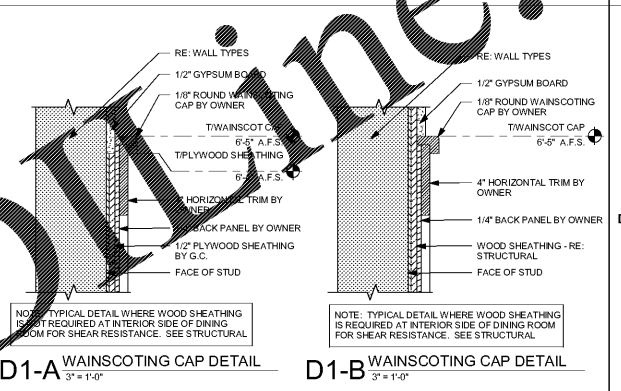
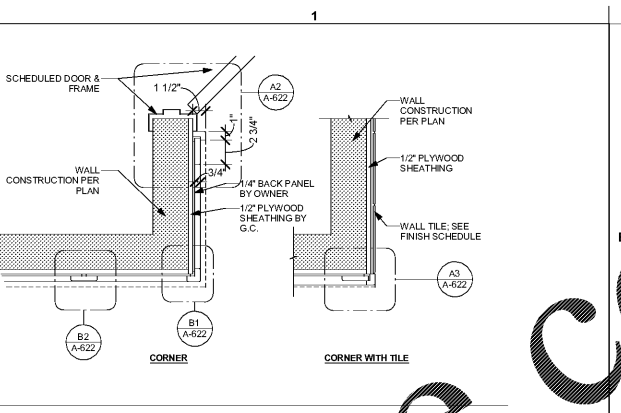
C2 WALL SECTION AT WAINSCOTING
1" = 1'-0"



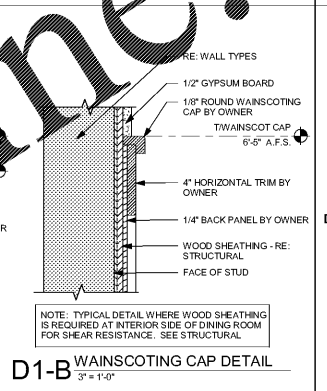
B2 WAINSCOTING TRIM DETAIL
3" = 1'-0"



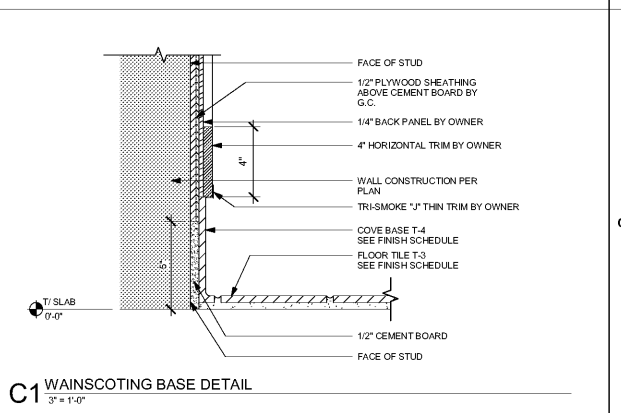
A2 WAINSCOTING AT DOOR JAMB
3" = 1'-0"



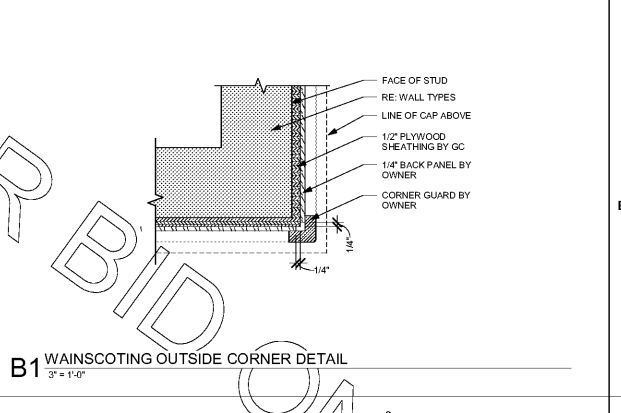
D1-A WAINSCOTING CAP DETAIL
3" = 1'-0"



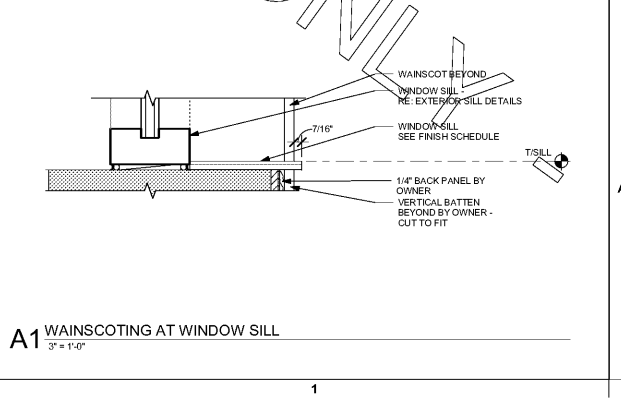
D1-B WAINSCOTING CAP DETAIL
3" = 1'-0"




C1 WAINSCOTING BASE DETAIL
3" = 1'-0"



B1 WAINSCOTING OUTSIDE CORNER DETAIL
3" = 1'-0"



A1 WAINSCOTING AT WINDOW SILL
3" = 1'-0"



Chick-fil-A
5200 Buffington Road
Atlanta, Georgia 30349-2998

INTERPLAN
ARCHITECTURE
ENGINEERING
INTERIOR DESIGN
PROJECT MANAGEMENT

604 COURTLAND STREET SUITE 100
ORLANDO, FLORIDA 32804
PH 407.645.5008
FX 407.629.9124

SEAL: THE ARCHITECT IS NOT FOR CONSTRUCTION UNLESS THE ARCHITECT OR ENGINEER SIGNATURE AND SEAL APPEAR BELOW.

CHICK-FIL-A
SAR South Cobb Drive FSR
3100 South Cobb DR SE, Smyrna, GA 30080

FSR# 00810

REVISION	SCHEDULE	NO.	DATE	DESCRIPTION

CONSULTANT PROJECT # 2017.0165
PRINTED FOR BID
DATE September 06, 2017
DRAWN BY AD

Information contained on this drawing and all rights therein are the property of Chick-fil-A. No part of this drawing may be reproduced or transmitted in any form or by any means, electronic or mechanical, including photocopying, recording, or by any information storage and retrieval system, without the prior written permission of Chick-fil-A.

SHEET
INTERIOR DETAILS

SHEET NUMBER
A-622