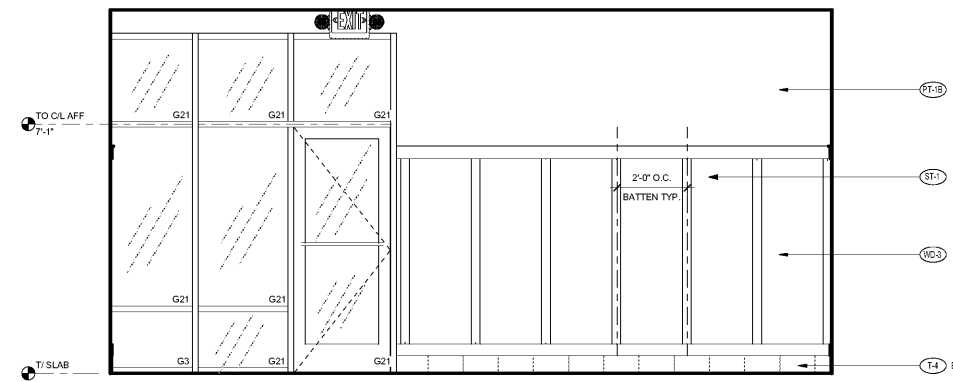
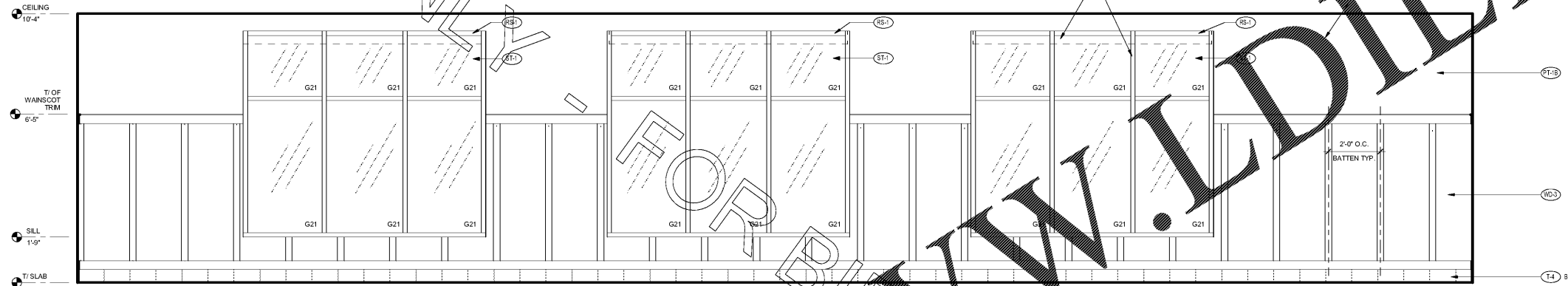


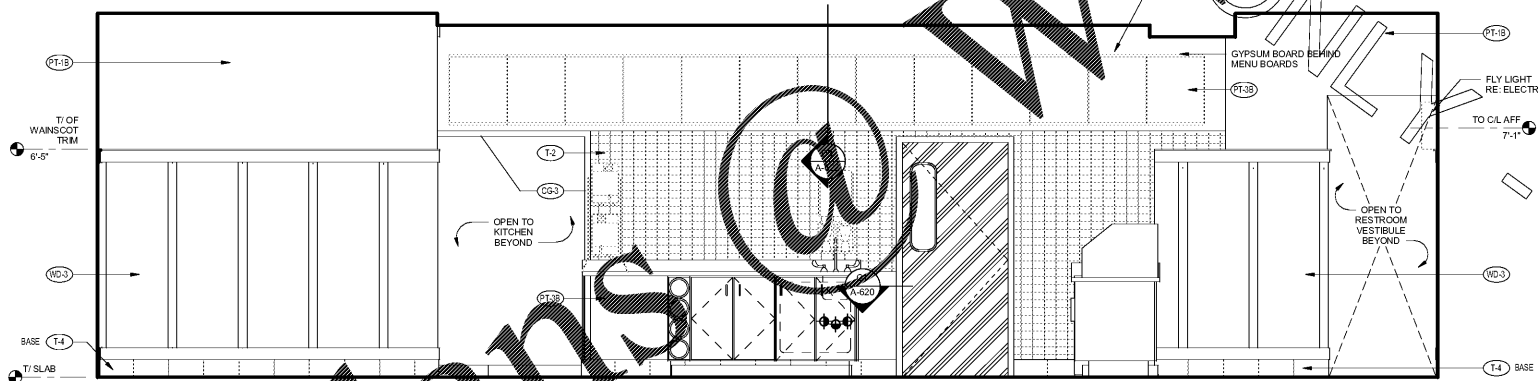
D4 INTERIOR ELEVATION - DINING  
1/2" = 1'-0"



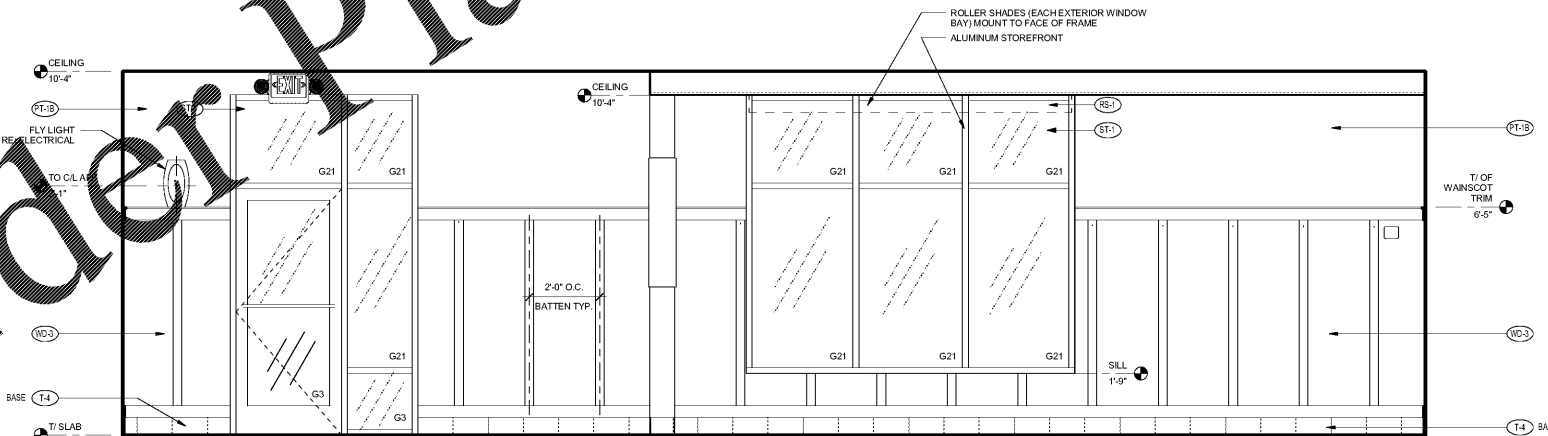
D2 INTERIOR ELEVATION - DINING  
1/2" = 1'-0"



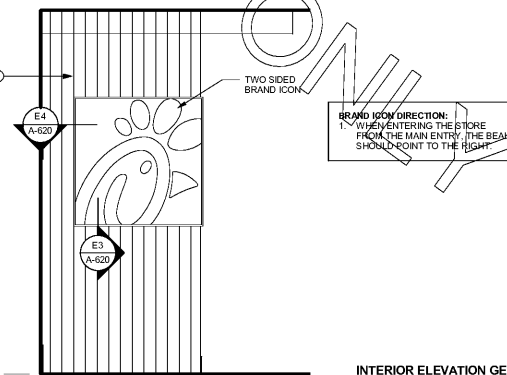
C4 INTERIOR ELEVATION - DINING  
1/2" = 1'-0"



B4 INTERIOR ELEVATION  
1/2" = 1'-0"



A4 INTERIOR ELEVATION - DINING  
1/2" = 1'-0"



A1 INTERIOR ELEVATION - DINING  
1/2" = 1'-0"

- NOTE:
1. PROVIDE 5" HIGH CEMENTITIOUS BOARD SUBSTRATE AT BASE OF ALL WALLS IN DINING ROOM AND VESTIBULE.
  2. PROVIDE 12" HIGH CEMENTITIOUS BOARD SUBSTRATE AT BASE OF ALL WALLS IN KITCHEN.
  3. PROVIDE CEMENTITIOUS BOARD SUBSTRATE FOR THE FULL HEIGHT OF TILE AT ALL WALLS WITH WALL TILE.
  4. AT WAINSCOT LOCATIONS, PROVIDE 3" HIGH CEMENTITIOUS BOARD BEHIND TILE BASE, THEN PLYWOOD SUBSTRATE TO TOP OF WAINSCOT, THEN GYPSUM BOARD TO CEILING.

INTERIOR ELEVATION GENERAL NOTES  
A1 REFER TO SHEET A-622 FOR WAINSCOT DETAILS.



Chick-fil-A  
5200 Buffington Road  
Atlanta, Georgia 30349-2998

INTERPLAN  
ARCHITECTURE  
ENGINEERING  
INTERIOR DESIGN  
PROJECT MANAGEMENT

604 COURTLAND STREET  
SUITE 100  
ORLANDO, FLORIDA 32804  
PH 407.645.5008  
FX 407.629.9124

SEAL:  
THIS DOCUMENT IS NOT FOR CONSTRUCTION  
UNLESS THE ARCHITECT OR ENGINEER'S  
SIGNATURE AND SEAL APPEAR BELOW.

**CHICK-FIL-A**  
SAR South Cobb Drive FSR  
3100 South Cobb Dr SE, Smyrna, GA 30080

FSR# 00810

REVISION	SCHEDULE NO.	DATE	DESCRIPTION
1	11/06/17		COORDINATION REVISIONS

CONSULTANT PROJECT # 2017.0165  
PRINTED FOR BID  
DATE September 06, 2017  
DRAWN BY AD

Information contained on this drawing and to all rights there in shall be the property of INTERPLAN, LLC. No part of this drawing may be reproduced or transmitted in any form or by any means, electronic or mechanical, including photocopying, recording, or by any information storage and retrieval system, without the prior written permission of INTERPLAN, LLC.

SHEET INTERIOR ELEVATIONS

SHEET NUMBER

A-602L

2/5/2018 2:28:12 PM

FOR BID ONLY