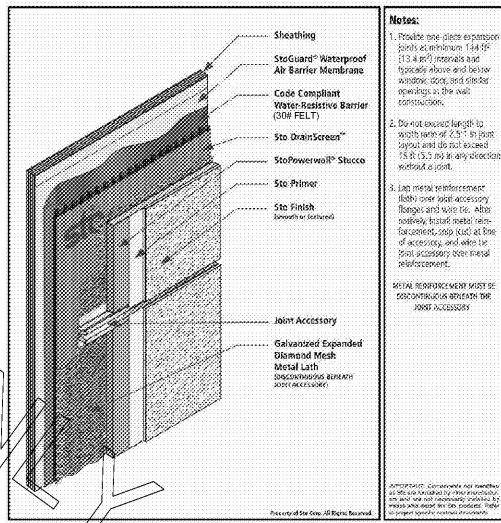
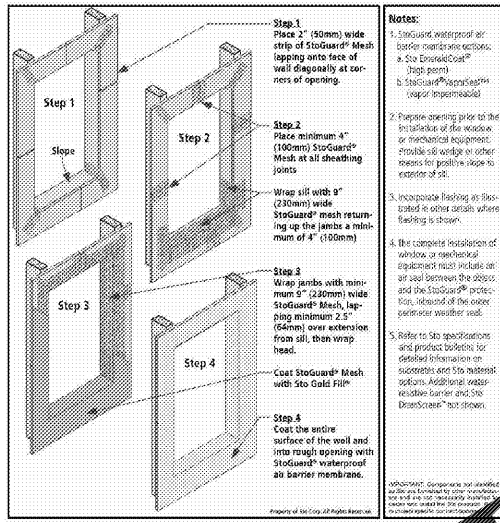


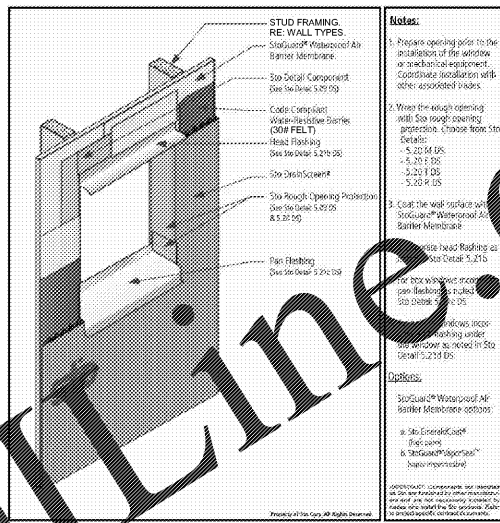
D4 STUCCO SYSTEM COMPONENTS (5.01 DS)  
3/4" = 1'-0"



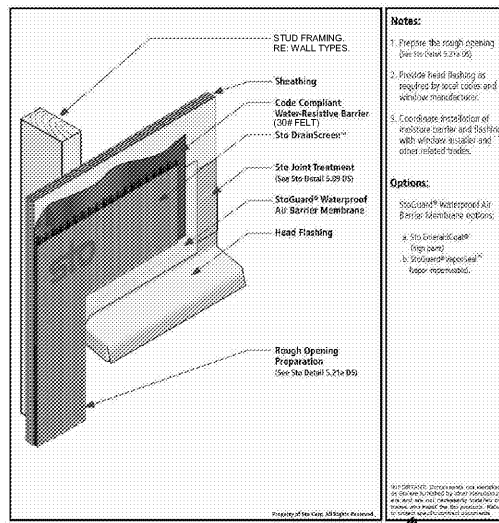
D3 STUCCO EXPANSION JOINT  
3/4" = 1'-0"



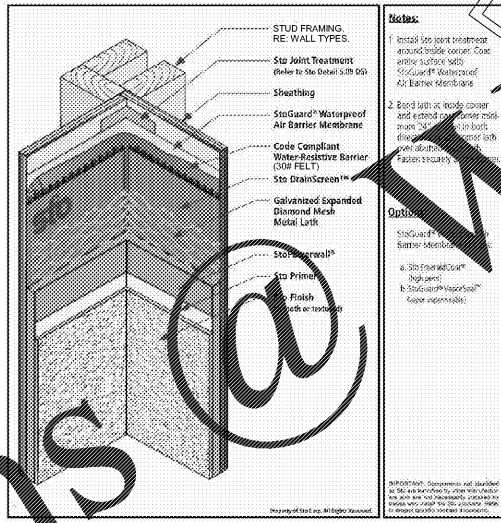
D2 STUCCO ROUGH OPENING PROTECTION (5.20 DS)  
3/4" = 1'-0"



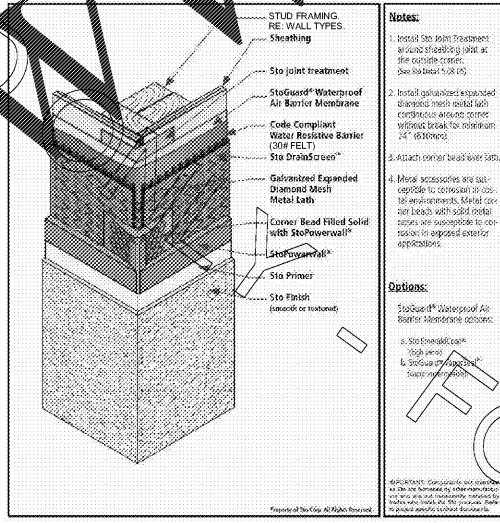
D1 STUCCO ROUGH OPENING PREPARATION (5.21a DS)  
3/4" = 1'-0"



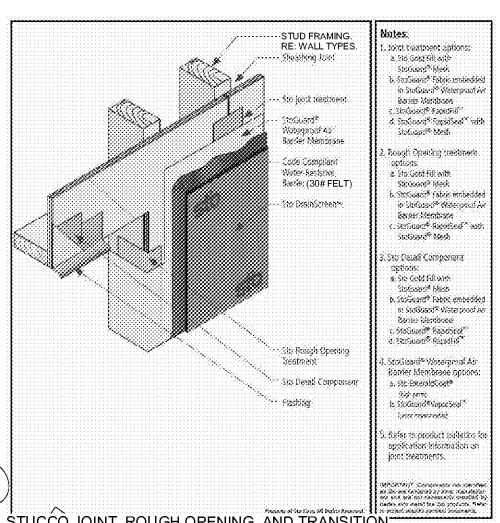
B4 STUCCO WINDOW HEAD FLASHING (5.21b DS)  
3/4" = 1'-0"



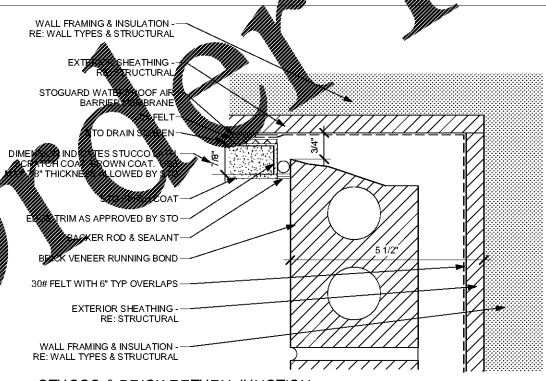
B3 STUCCO JOINT AT INSIDE CORNER (5.53b DS)  
3/4" = 1'-0"



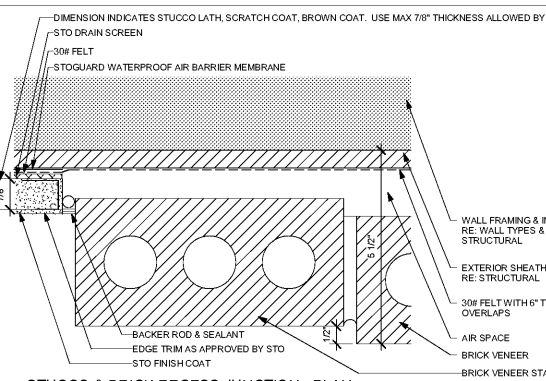
B2 STUCCO JOINT AT OUTSIDE CORNER (5.62DS)  
3/4" = 1'-0"



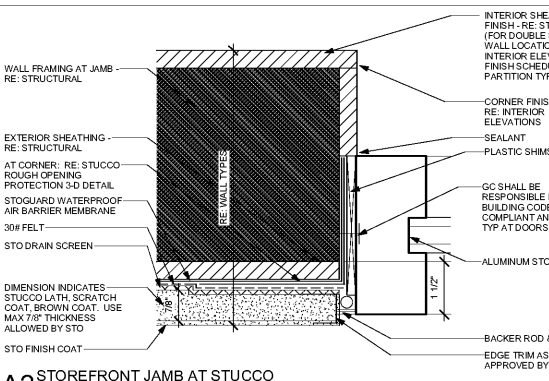
B1 STUCCO JOINT, ROUGH OPENING, AND TRANSITION (5.09 DS)  
3/4" = 1'-0"



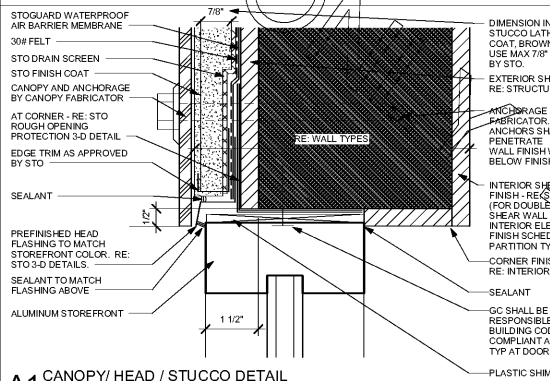
A4 STUCCO & BRICK RETURN JUNCTION  
6" = 1'-0"



A3 STUCCO & BRICK RECESS JUNCTION - PLAN  
6" = 1'-0"



A2 STOREFRONT JAMB AT STUCCO  
6" = 1'-0"



A1 CANOPY/ HEAD / STUCCO DETAIL  
6" = 1'-0"



Chick-fil-A  
5200 Buffington Road  
Atlanta, Georgia 30349-2998

INTERPLAN  
ARCHITECTURE  
ENGINEERING  
INTERIOR DESIGN  
PROJECT MANAGEMENT

604 COURTLAND STREET SUITE 100  
ORLANDO, FLORIDA 32804  
PH 407.645.5008  
FX 407.629.9124

SEAL  
THIS DOCUMENT IS NOT FOR CONSTRUCTION  
UNLESS THE ARCHITECT'S OR ENGINEER'S  
SIGNATURE AND SEAL APPEAR BELOW.

CHICK-FIL-A  
SAR South Cobb Drive FSR  
3100 South Cobb DR SE, Smyrna, GA 30080

FSR# 00810

REVISION SCHEDULE		
NO.	DATE	DESCRIPTION

CONSULTANT PROJECT # 2017.0165  
PRINTED FOR BID  
DATE September 06, 2017  
DRAWN BY AD  
INTERPLAN ARCHITECTURE ENGINEERING INTERIOR DESIGN PROJECT MANAGEMENT  
GC SHALL BE RESPONSIBLE FOR BUILDING CODE COMPLIANT ANCHORAGE, TYP AT DOORS & WINDOWS  
SEALANT TO MATCH FLASHING ABOVE  
ALUMINUM STOREFRONT  
1 1/2\"/>

BID

A-503

Order Plans @ WWW.LD BidLine.com

2/5/2018 10:44 PM