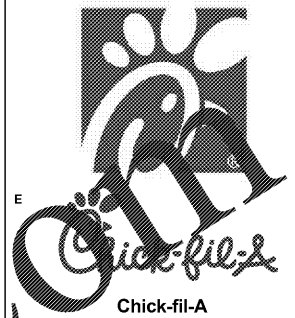


FOR BID



Chick-fil-A
5200 Buffington Road
Atlanta, Georgia 30349-2998

INTERPLAN
ARCHITECTURE
ENGINEERING
INTERIOR DESIGN
PROJECT MANAGEMENT

604 COURTLAND STREET
SUITE 100
ORLANDO, FLORIDA 32804
PH 407.645.5008
FX 407.629.9124

SEAL:
THIS DOCUMENT IS NOT FOR CONSTRUCTION
UNLESS THE ARCHITECT OR ENGINEER'S
SIGNATURE AND SEAL APPEAR BELOW.

CHICK-FIL-A
SAR South Cobb Drive FSR
3100 South Cobb Dr SE, Smyrna, GA 30080

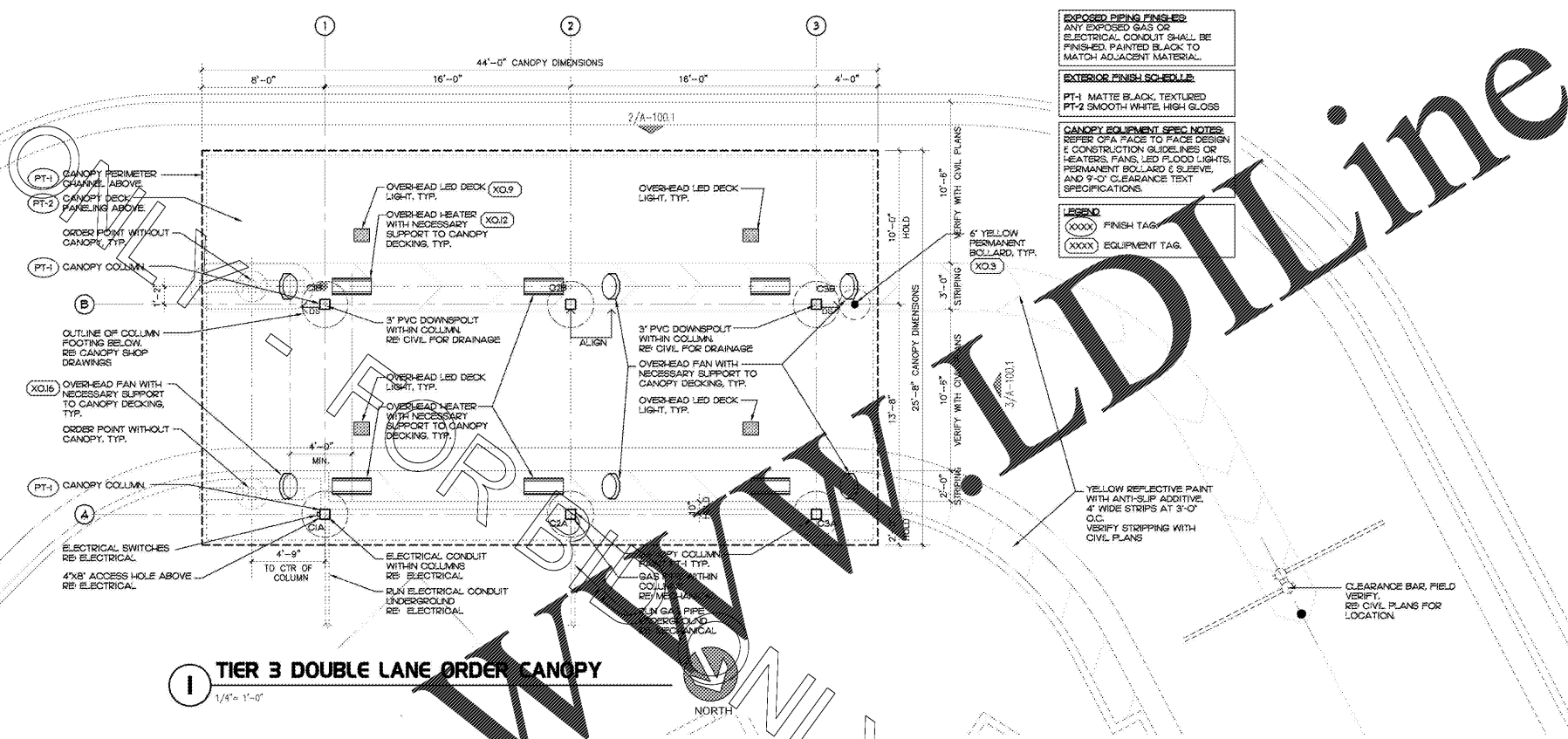
FSR# 00810

REVISION	SCHEDULE	NO.	DATE	DESCRIPTION

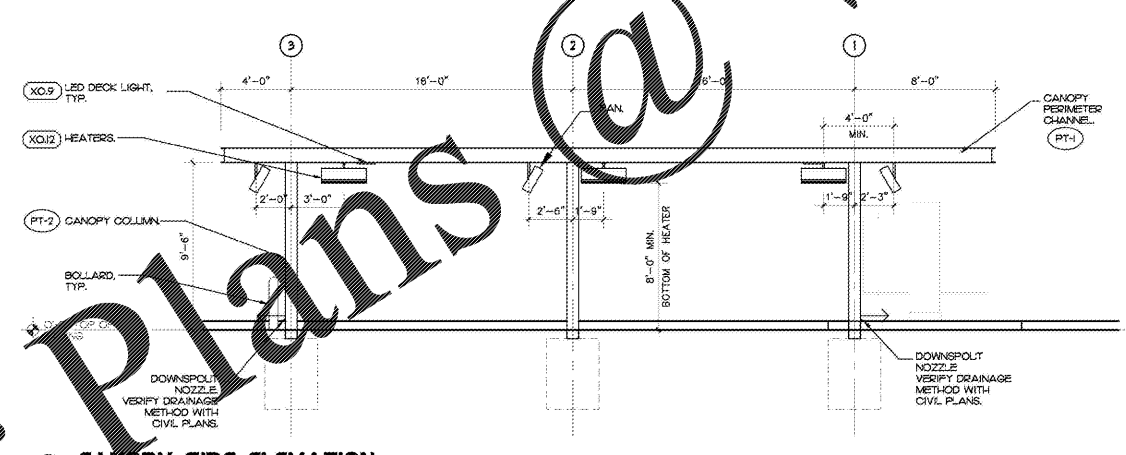
CONSULTANT PROJECT #	2017.0165
PRINTED FOR	BID
DATE	September 06, 2017
DRAWN BY	AD

ARCHITECTURAL SITE
PLAN - FZF

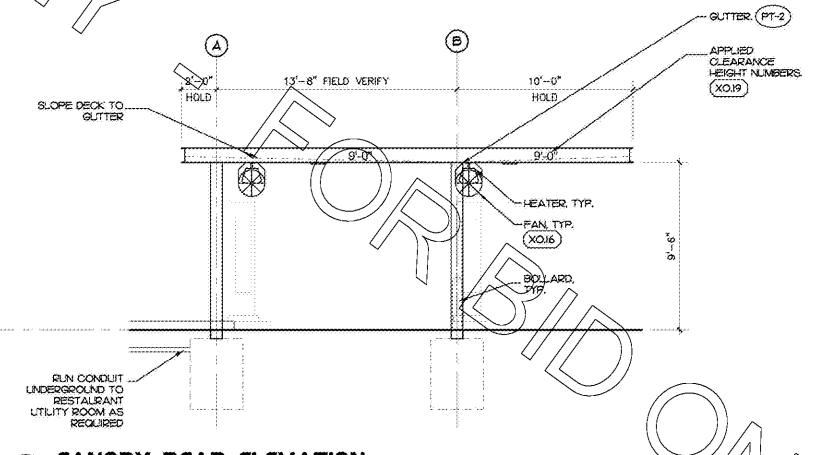
SHEET NUMBER
A-100.1



1 TIER 3 DOUBLE LANE ORDER CANOPY
1/4" = 1'-0"



2 CANOPY SIDE ELEVATION
1/4" = 1'-0"



3 CANOPY REAR ELEVATION
1/4" = 1'-0"

- EXPOSED PIPING FINISHES**
ANY EXPOSED GAS OR ELECTRICAL CONDUIT SHALL BE FINISHED PAINTED BLACK TO MATCH ADJACENT MATERIAL.
- EXTERIOR FINISH SCHEDULE**
PT-1 MATTE BLACK, TEXTURED
PT-2 SMOOTH WHITE, HIGH GLOSS
- CANOPY EQUIPMENT SPEC NOTES:**
REFER OPA FACE TO FACE DESIGN & CONSTRUCTION GUIDELINES OR HEATERS, FANS, LED FLOOD LIGHTS, PERMANENT BOLLARD & SLEEVE, AND 9'-0" CLEARANCE TEXT SPECIFICATIONS.
- LEGEND**
(XOXX) FINISH TAG
(XXXX) EQUIPMENT TAG

Order Plans @

2/5/2018 12:26:02 PM

COPYRIGHT © 2017 INTERPLAN, LLC. REVISIONS, CORRECTIONS & OTHER REVISIONS TO THESE DOCUMENTS TO THE ORIGINAL SET OF PRINTS FOR WHICH THEY WERE PREPARED, REPRODUCTIONS, CHANGES OR ADDITIONS ARE PROHIBITED.