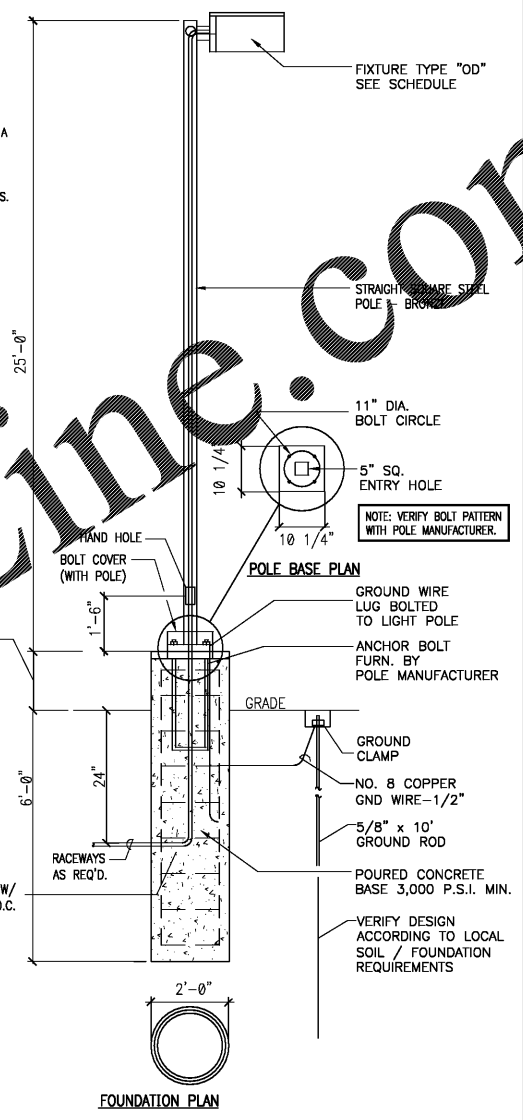
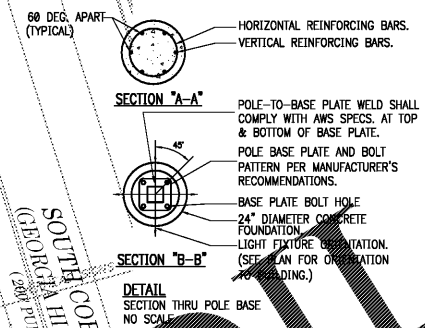


- NOTES:**
- 3000 PSI MINIMUM 28 DAY COMPRESSIVE STRENGTH CONCRETE WITH GRADE 60 RE-BAR.
 - IF WATER IS PRESENT IN HOLE, REMOVE BEFORE POURING CONCRETE.
 - FOUNDATION EXCAVATION SHALL BE BY 24" AUGER IN UNDISTURBED OR PROPERLY COMPACTED FILL. AN INSPECTION DURING THE CONSTRUCTION OF THE SITE LIGHT POLE MUST BE PERFORMED AND RECORDED BY A CERTIFIED SPECIAL INSPECTOR EMPLOYED BY THE OWNER.
 - MINIMUM ALLOWABLE SOIL BEARING PRESSURE 3000 PSF. NOTIFY ENGINEER IF BEARING PRESSURE IS LESS.
 - AIR ENTRAINMENT: 4 TO 6%
 - POLE TO BE CERTIFIED FOR 110 MPH WIND LOAD BY MANUFACTURER.



LIGHTING NOTE:
 THIS PLAN IS PROVIDED FOR LIGHT POLE PLACEMENT AND PHOTOMETRIC DESIGN ONLY. THE PROJECT ELECTRICAL ENGINEER WILL SPECIFY THE CIRCUITING OF THE SITE AND BUILDING LIGHTING AS WELL AS PROVIDING THE POWER AND SWITCHES IN THE BUILDING'S ELECTRICAL PANEL.

- NOTES:**
- REFER TO SHEET ES-1.1 FOR ELECTRICAL CIRCUIT PLAN.
 - ALL POLES ARE TO BE PLACED 3'-0" BEHIND BACK OF CURBS.

Calculation Summary

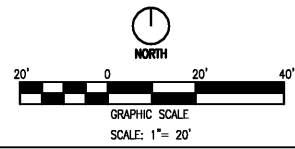
Label	Avg	Max	Min	Avg/Min	Max/Min
EXTENDED	0.98	3.1	0.0	N.A.	N.A.
VEHICULAR SURFACE	1.76	3.1	0.7	2.51	4.43

LIGHT LEVELS ARE MAINTAINED FOOT-CANDLES, INITIAL LEVELS ARE SLIGHTLY HIGHER

Luminaire Schedule

Symbol	Qty	Label	Arrangement	Lum. Lumens	LLF	Lum. Watts	Description
[Symbol]	2	A	SINGLE	14891	0.900	138	DSXO-LED-40C-1000-40K-T2M-MVOLT-SPA-DDBXD / SSS-25-4C-DM19AS-DOB
[Symbol]	4	B	SINGLE	15212	0.900	138	DSXO-LED-40C-1000-40K-T4M-MVOLT-SPA-DDBXD / SSS-25-4C-DM19AS-DOB
[Symbol]	2	C	BACK-BACK	15739	0.900	138	(2) DSXO-LED-40C-1000-40K-T5W-MVOLT-SPA-DDBXD / SSS-25-4C-DM28AS-DOB

SITE FIXTURES ARE 138W 4000K LED
 POLES ARE 25'-0" FOR AN OVERALL FIXTURE HEIGHT OF 27'-6" A.F.G.



SITE ELECTRICAL / PHOTOMETRIC PLAN

1" = 20'



INTERPLANS
 ARCHITECTURE
 ENGINEERING
 INTERIOR DESIGN
 PROJECT MANAGEMENT

604 COURTLAND STREET
 SUITE 100
 ORLANDO, FLORIDA 32804
 PH 407.645.5008
 FX 407.629.9124

SEAL:
 THIS DOCUMENT IS NOT FOR CONSTRUCTION
 UNLESS THE ARCHITECT'S SIGNATURE AND SEAL APPEAR BELOW

STUART ANDERSON, P.E.
 GA. REG. # PE038342

CHICK-FIL-A
SAR South Cobb FSR
 3100 SOUTH COBB DRIVE SE.
 SMYRNA, GEORGIA 30080

FSR# 0810

REVISION SCHEDULE

NO.	DATE	DESCRIPTION

CONSULTANT PROJECT # 2017.0165
 PRINTED FOR Permit
 DATE 10/2017
 DRAWN BY M/J
 CHECKED BY GEG

Information contained on this drawing and in all digital files produced for above named project may not be reproduced in any manner without express written or verbal consent from the author and project representatives.

SHEET
 SITE LIGHTING /
 PHOTOMETRICS PLAN

SHEET NUMBER
ES-1.0

COPYRIGHT © 2017 INTERPLANS, LLC. REVISIONS COPYRIGHT © 2017 INTERPLANS, LLC. ALL RIGHTS RESERVED. THESE DOCUMENTS ARE THE PROPERTY OF INTERPLANS, LLC. ANY REPRODUCTION OR TRANSMISSION OF THESE DOCUMENTS WITHOUT THE WRITTEN PERMISSION OF INTERPLANS, LLC IS PROHIBITED.