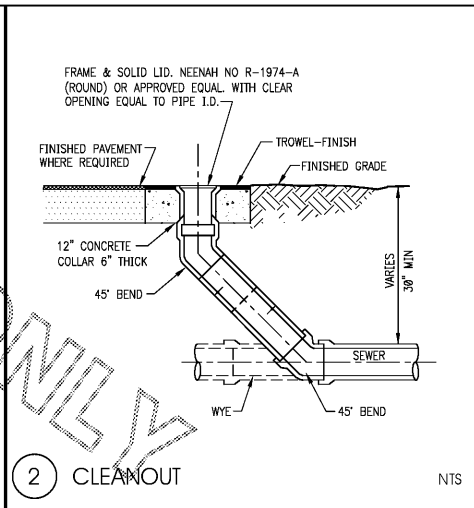
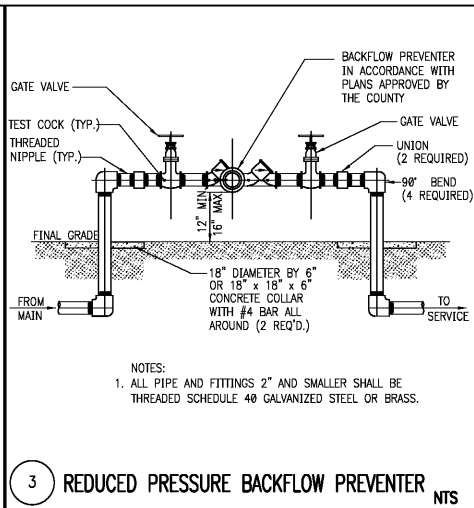


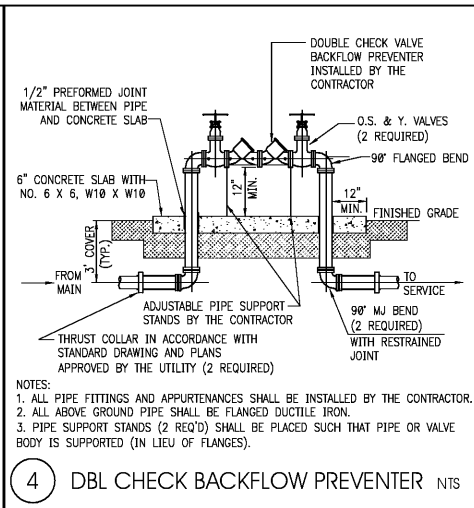
1 TRENCH DETAIL NTS



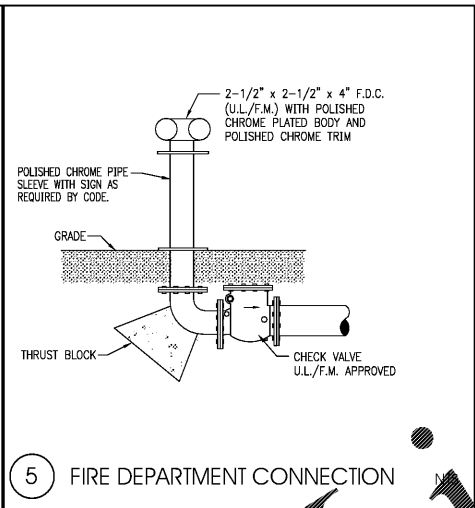
2 CLEANOUT NTS



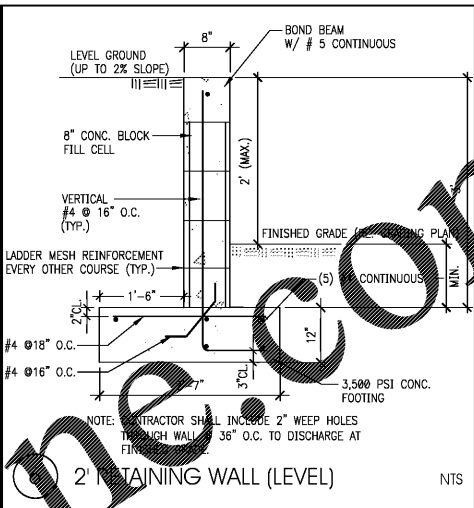
3 REDUCED PRESSURE BACKFLOW PREVENTER NTS



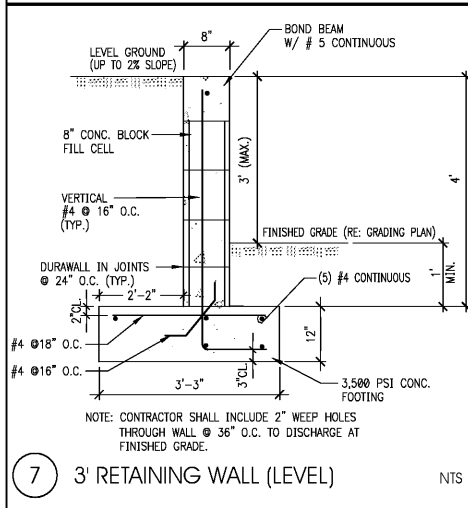
4 DBL CHECK BACKFLOW PREVENTER NTS



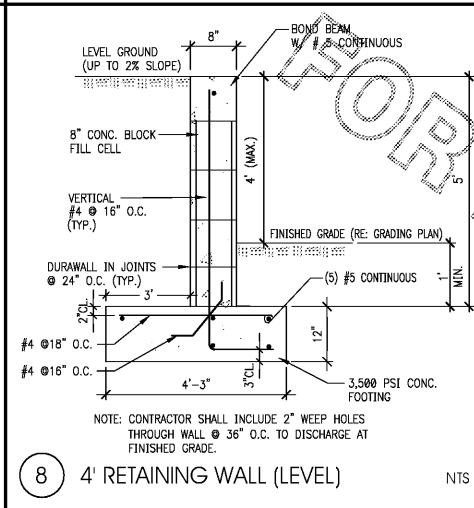
5 FIRE DEPARTMENT CONNECTION NTS



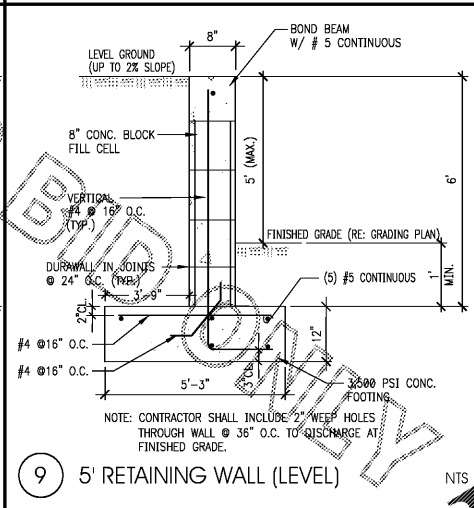
2' RETAINING WALL (LEVEL) NTS



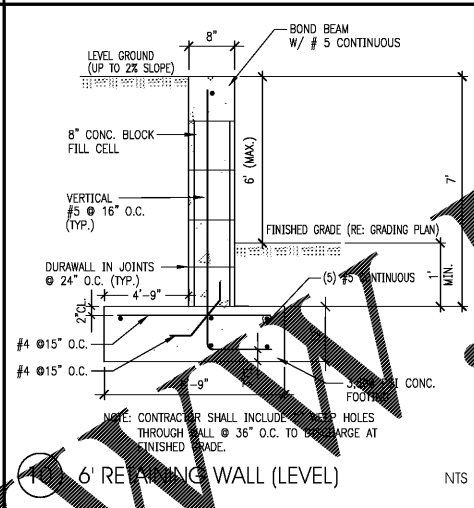
7 3' RETAINING WALL (LEVEL) NTS



8 4' RETAINING WALL (LEVEL) NTS



9 5' RETAINING WALL (LEVEL) NTS



6' RETAINING WALL (LEVEL) NTS

Manufactured by: Practical Best Management - 1-800-748-6945 www.crystalstream.com

**LEGEND**

- EXPANDED ALUMINUM BASKET W/ 1/4" MESH LINING, 1'-6" H x 1'-6" L x 4'-0" W, UPFR 4'-0" FROM SUMP.
- 1ST INTERNAL BAFFLE W/ 1" HOLES DRILLED AT 1-1/4" O.C., 3'-9" H.
- 2ND INTERNAL BAFFLE W/ 1" HOLES DRILLED AT 1 1/4" O.C., 5'-0" H.
- SPILL PROTECTION RESERVOIR 4'-6" H. WITH A 1'-2" FRONT CUT.
- 3/4" COCONUT FIBER FILTER IN ALUMINUM FRAME 2'-2" LONG.
- 1/4" ALUMINUM PLATE, 9" H, 1'-11" WIDE.
- 1/8" ALUM PLATE 2'-2" H, 3'-10 1/2" WIDE ATTACHED TO THE OIL RESERVOIR AND THE ANGLES ON EACH WALL. SEAL ALL EDGES WITH OIL RESISTANT SILICONE SEALANT.
- 2 - 3" x 1 1/2" x 1/4" ALUM ANGLES EACH 2'-0" LONG WITH BOLTS AND ANCHORS. ANGLES SHALL HAVE 5/8" DIAMETER HOLES ON THE SHORT LEG 3" FROM EACH END AND AT THE CENTER. PLATE & ANGLES TO BE FIELD INSTALLED.

**ORDER PLANS**

JURISDICTION: COBB COUNTY, GA

CRYSTALSTREAM "CRYSTALCLEAN" WATER QUALITY VAULT MODEL "846 IB"

11 "CRYSTALCLEAN" WATER QUALITY DEVICE NTS

DETAIL 03410-20-A  
COBB COUNTY WATER SYSTEM  
GREASE TRAP

JULY 23, 2012

AGENCY DIRECTOR  
STEVE MCCOLLERS

**LEGEND**

- TOTAL FLOW CAPACITY SHALL BE 10.22 CFS.
- WATER QUALITY FLOW OF 1.78 CFS MUST BE TREATED WITH A HYDRAULIC LOADING RATE OF 25 GPM/SF OR LESS.
- SPILL PROTECTION CAPACITY SHALL BE 640 GALLONS BEFORE OVERFLOW.
- ANY CHANGES OR SUBSTITUTIONS MUST BE APPROVED BY THE ENGINEER AND THE REVIEWING AUTHORITY.

NOTE: INSPECTION BY WATER SYSTEM (ENVIRONMENTAL COMPLIANCE) REQUIRED BEFORE COVERING (770) 419-6430

12 COBB COUNTY STANDARD GREASE INTERCEPTOR DETAIL NTS

**Chick-fil-A**  
5200 Buffington Road  
Atlanta, Georgia 30349-2998

**INTERPLANS**  
ARCHITECTURE  
ENGINEERING  
INTERIOR DESIGN  
PROJECT MANAGEMENT

604 COURTLAND STREET  
SUITE 100  
ORLANDO, FLORIDA 32804  
PH 407.645.5008  
FX 407.629.9124

SEAL:  
THIS DOCUMENT IS NOT FOR CONSTRUCTION  
UNLESS THE ARCHITECT'S SIGNATURE AND SEAL APPEAR BELOW

STUART ANDERSON, P.E.  
GA. REG. # PE038342

**CHICK-FIL-A**  
SAR South Cobb FSR  
3100 SOUTH COBB DRIVE SE.  
SMYRNA, GEORGIA 30080

**FSR# 0810**

REVISION SCHEDULE  
NO. DATE DESCRIPTION

CONSULTANT PROJECT # 2017.0165  
PRINTED FOR Permit  
DATE 10/2017  
DRAWN BY M/J  
CHECKED BY GEG

Information contained on this drawing and in all digital files produced for above named project may not be reproduced in any manner without express written or verbal consent from authorized project representatives.

SHEET  
CHICK-FIL-A STANDARD  
DETAILS

SHEET NUMBER  
**C-5.0**