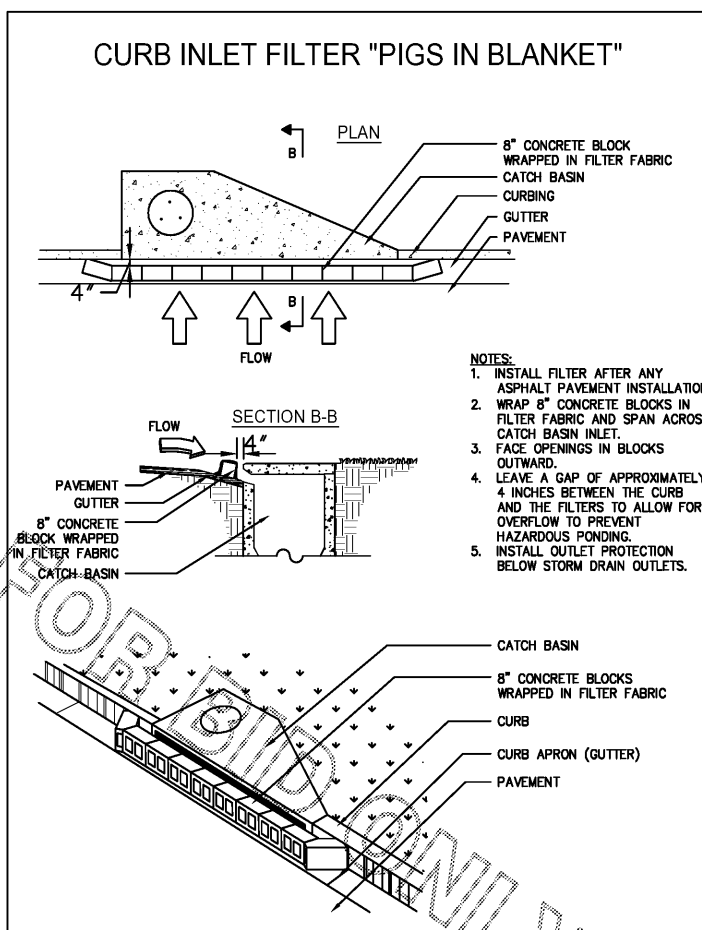
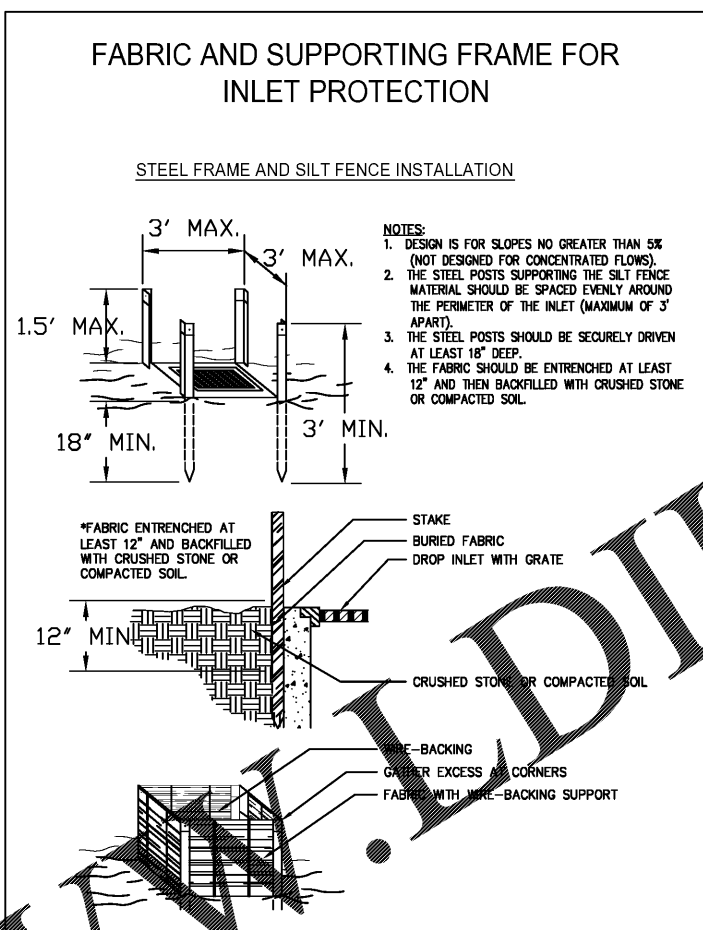


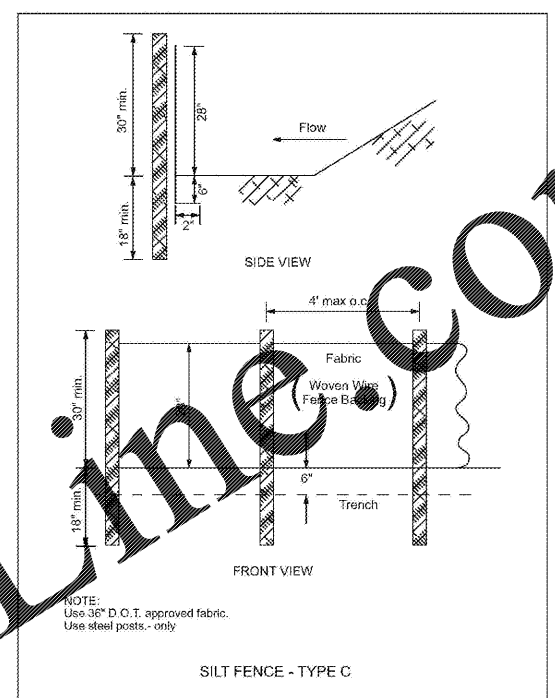
Co CRUSHED STONE CONSTRUCTION EXIT



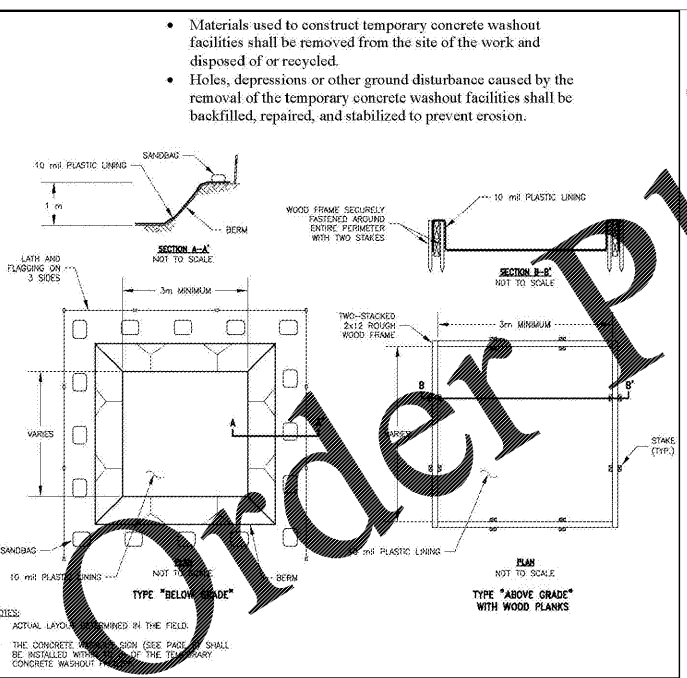
Sd2-P CURB INLET PROTECTION



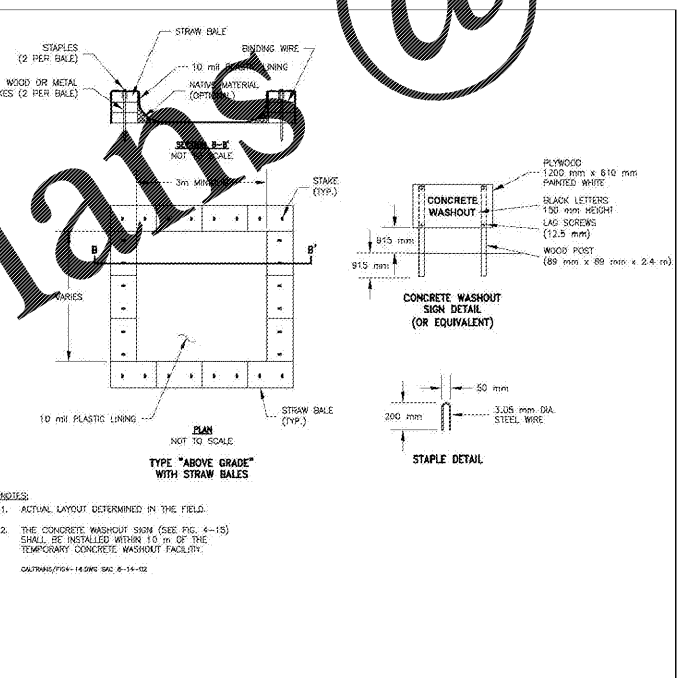
Sd2-F FILTER FABRIC WITH SUPPORTING FRAME



Sd1-S TYPE C SEDIMENT BARRIER (SENSITIVE AREA)



Eco-3 CONCRETE WASHOUT AREA



Sd2-gb INLET SEDIMENT TRAP/INLET FILTER DETAIL

Sd2-gb INLET SEDIMENT TRAP/INLET FILTER DETAIL



Chick-fil-A
5200 Buffington Road
Atlanta, Georgia 30349-2998

INTERPLAN
ARCHITECTURE
ENGINEERING
INTERIOR DESIGN
PROJECT MANAGEMENT

604 COURTLAND STREET
SUITE 100
ORLANDO, FLORIDA 32804
PH 407.645.5008
FX 407.629.9124

SEAL:
THIS DOCUMENT IS NOT FOR CONSTRUCTION
UNLESS THE ARCHITECT'S SIGNATURE AND SEAL APPEAR BELOW

STUART ANDERSON, P.E.
GA. REG. # PE038342

CHICK-FIL-A
SAR South Cobb FSR
3100 SOUTH COBB DRIVE SE.
SMYRNA, GEORGIA 30080

FSR# 0810

NO.	DATE	DESCRIPTION

CONSULTANT PROJECT # 2017.0165
PRINTED FOR Permit
DATE 10/2017
DRAWN BY MJ
CHECKED BY OEG

Information contained on this drawing and in all digital files produced for above named project may not be reproduced in any manner without express written or verbal consent from authorized project representatives.

SHEET
GEORGIA STANDARD
EROSION CONTROL
DETAILS

SHEET NUMBER
C-3.6