

THE DEDICATED POS POWER CIRCUIT REQUIRES AN ISOLATED GROUND IN ADDITION TO THE NORMAL COMMON BUILDING GROUND. THE ISOLATED GROUND WIRE SERVES TWO PURPOSES:

- * AS A SAFETY PATH TO GROUND.
- * AS A ZERO REFERENCE POINT FOR ALL POS DIGITAL LOGIC.

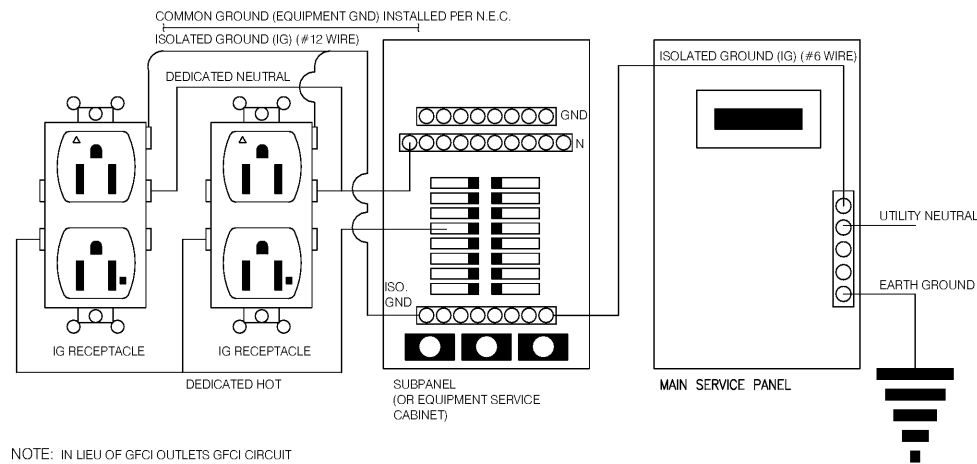
THE GROUND MUST EXHIBIT THE LOWEST POSSIBLE IMPEDANCE TO MINIMIZE VOLTAGE TRANSIENTS AND NOISE.

BE SURE TO:

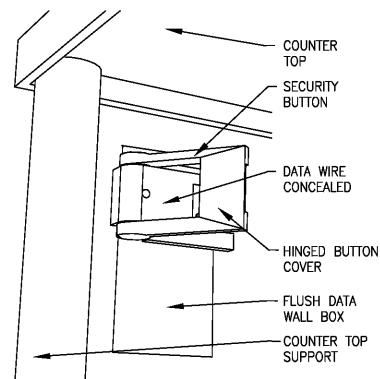
- * USE AN INSULATED CONDUCTOR FOR THE ISOLATED GROUND WIRE.
- * RUN THE ISOLATED GROUND WIRE THROUGH THE SAME CONDUIT AS THE HOT AND NEUTRAL WIRES.
- * INSTALL ONLY ISOLATED GROUND (IG) TYPE RECEPTACLES.
- * CONNECT THE ISOLATED GROUND WIRE TO BUILDING GROUND ONLY AT THE MAIN SERVICE PANEL.
- * VERIFY THAT IG RECEPTACLES PRE-WIRED IN OWNER SUPPLIED EQUIPMENT HAVE A TRUE ISOLATED GROUND THAT CAN BE TRACED BACK TO THE BUILDING GROUND AT THE MAIN SERVICE PANEL.

DO NOT CONNECT THE ISOLATED GROUND WIRE TO THE CONDUIT, JUNCTION BOXES, THE FRAME ON A SUBPANEL, OR ANY OTHER METAL SURFACE.

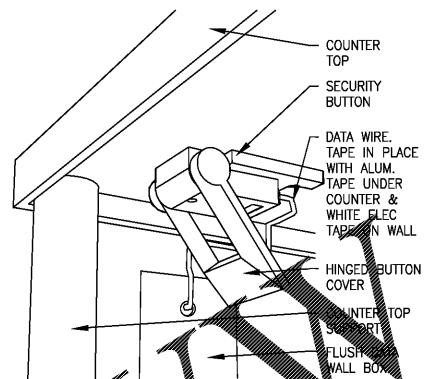
DEDICATED CIRCUITS: DEDICATED CIRCUITS REQUIRE A DEDICATED HOT AND A DEDICATED NEUTRAL THAT ARE NOT SHARED WITH ANY OTHER CIRCUITS. IG RECEPTACLES MUST BE 'PHASE ALIGNED' WITH THE 'B' PHASE OF BUILDING SUBPANEL 'A'.



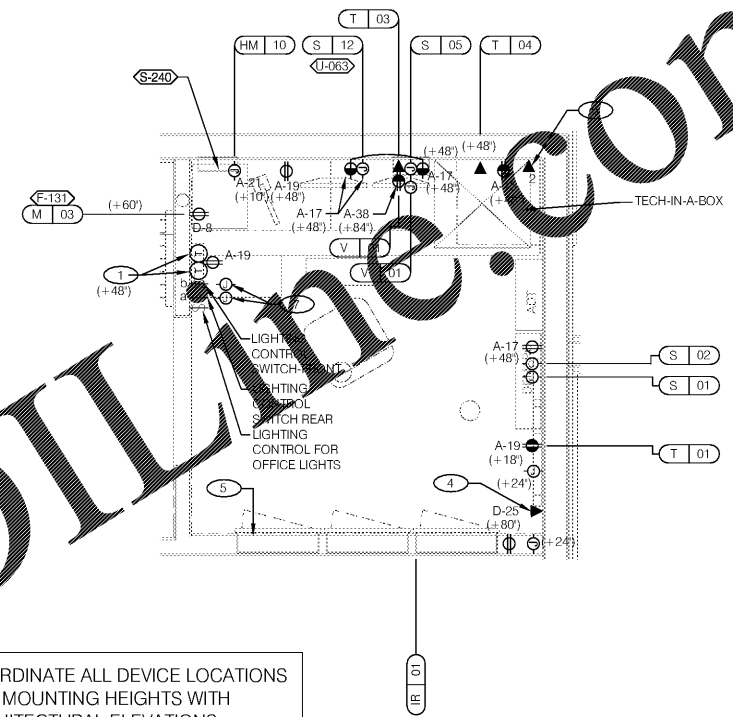
P.O.S. ISOLATED GROUND SYSTEM N.T.S. 14



SECURITY BUTTON ON WALL N.T.S. 5

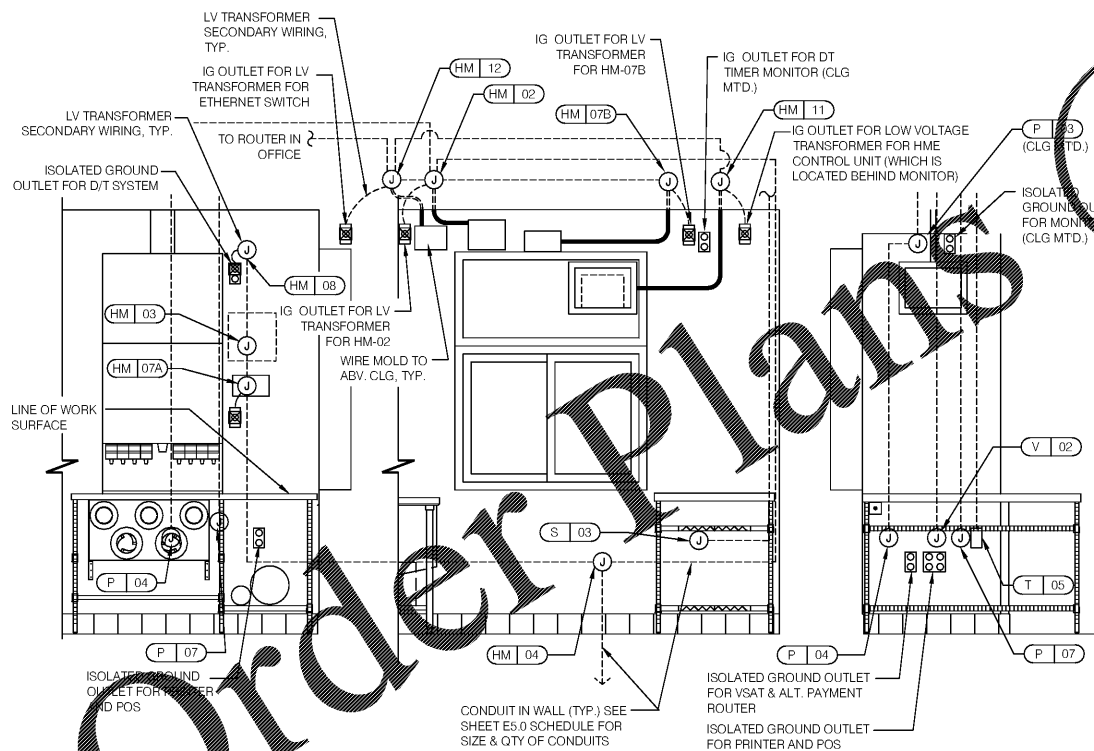


SECURITY BUTTON UNDER COUNTER N.T.S. 6



COORDINATE ALL DEVICE LOCATIONS AND MOUNTING HEIGHTS WITH ARCHITECTURAL ELEVATIONS.

ENLARGED POWER AND COMMUNICATIONS PLAN (OFFICE) 1/2" = 1'-0" 3



REFER TO COMMUNICATIONS SCHEDULE ON SHEET E5.0 FOR EQUIPMENT DESCRIPTIONS/MOUNTING HTS.

ENLARGED INTERIOR ELEVATION (D/T WINDOW) 1/2" = 1'-0" 16

NOT USED N.T.S. 8

KEY NOTES N.T.S. A

- 1 THERMOSTATS CONTROLS.
- 2 NOTE NOT USED.
- 3 NOTE NOT USED.
- 4 PHONE JACK FOR MODEM.
- 5 LOCATION OF FAN & LIGHT CONTROL BOX. COORDINATE EXACT LOCATION IN FIELD.
- 6 DATA JACK FOR TECH-IN-A-BOX WITH 2 PORTS.
- 7 JUNCTION BOX AT +54" FOR ROOF TOP UNIT REMOTE SMOKE DETECTOR TEST/RESET SWITCH.

12144.400

△
△
△
△
△
△
△
△
△
△

CONTRACT DATE: 10.23.17
 BUILDING TYPE: EXP. LITE MED/40
 PLAN VERSION: DECEMBER 2016
 SITE NUMBER: 311687
 STORE NUMBER: 436563

TACO BELL
 3923 SHAKEDOWN ST.
 CHARLOTTE, NC

TACO BELL
 EXPLORER LITE
 MEDIUM54

ENLARGED
 POWER PLAN
 AND DETAILS

E3.1

GLAY ARCHITECTURE, PLLC
 1526 E. Douglas Avenue, Suite 200
 Raleigh, NC 27604
 Tel: (919) 489-2900
 www.glay.com

DEVITA
 ATLANTA • CHARLOTTE • GREENVILLE • RICHMOND
 Devita & Associates, Inc. Project: 17002-22
 Drawn By: RPB Checked By: RAG
 NC Firm License # C-0819

