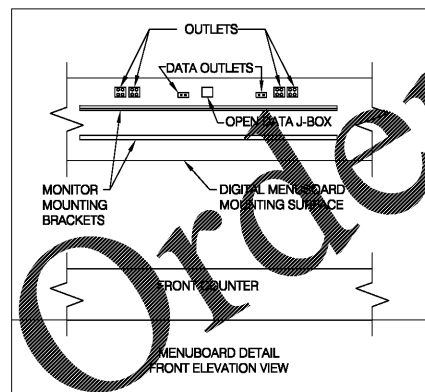


NOTE: IN LIEU OF GFCI OUTLETS GFCI CIRCUIT BREAKERS MAY BE USED.

POWER PLAN 1/4"=1'-0" **A**



DIGITAL MENUBOARD DETAIL

D

- A. ALL DIMENSIONS TO J-BOXES ARE FROM FACE OF STUD TO CENTER OF BOX, U.N.O.
- B. ALL CONDUIT DROPS ARE TO BE WALLS U.N.O. SEE ARCH. DWGS FOR WALL DIMS.
- C. ALL J-BOX CIRCUITS, CONDUITS, FIXTURES, ETC. SHALL BE AS INDICATED ON THE ELECTRICAL DWGS AND SPECS.
- D. CONTRACTOR SHALL VERIFY UNDERGROUND CONDUIT LOCATIONS PRIOR TO POURING SLAB.
- E. IT IS THE RESPONSIBILITY OF THE CONTRACTOR TO COORDINATE DATA ON THE LOCATION OF ELECT. ROUGH-INS WITH INFO PROVIDED ON THE ARCH. AND STRUCT. DWGS AND THE EQUIPMENT ACTUALLY SUPPLIED, AND TO CONFIRM THE CORRECTNESS OF ANY DIMENSIONS HEREIN.
- F. LOCATIONS OF ALL OUTLETS MAY BE RELOCATED TO NEAREST STUD. DO NOT CUT INTO STUDS.
- G. FOR EXACT LOCATIONS OF KITCHEN & MECHANICAL EQUIPMENT AND POINTS OF CONNECTION, REFER TO KITCHEN & MECHANICAL EQUIPMENT DRAWINGS AND MANUFACTURER'S SHOP DRAWINGS.
- H. ALL CIRCUIT FEEDERS AND DISCONNECTS SHALL BE SIZED PER NEC.
- I. CONTRACTOR SHALL VERIFY CIRCUIT BREAKER, DISCONNECT SWITCH, STARTER AND FUSE SIZES WITH SELECTED EQUIPMENT MANUFACTURER'S SHOP DRAWINGS PRIOR TO PLACING ORDER AND PROVIDE EVERYTHING AS REQUIRED.

- J. ELECTRICAL EQUIPMENT ENCLOSURES SHALL BE NEMA-1 FOR INTERIOR AND NEMA 3R FOR EXTERIOR. IN COASTAL REGIONS THE STANDARD FOR OUTSIDE SHALL BE NEMA-4X.
- K. PER NEC, ALL 15 AND 20A, 120V RECEPTACLES IN COMMERCIAL KITCHENS ARE REQUIRED TO BE GFCI PROTECTED. THIS INCLUDES ISOLATED GROUND RECEPTACLES.
- L. DO NOT MEASURE/LOCATE OUTLETS ON DRAWINGS. USE DIMENSIONS PROVIDED. ELECTRICAL DRAWINGS ARE DIAGRAMATIC ONLY.
- M. CONDUIT MAY RUN UNDER SLAB AT G.C.'S DISCRETION.
- N. E.C. SHALL PROVIDE A PREPRINTED SELF-ADHESIVE LABEL ON ALL POS RECEPTACLES STATING "POS USE ONLY".
- O. PROVIDE ESCUTCHEON PLATES AND SEALANT AT ALL UTILITY PENETRATIONS INTO WALLS, CEILING, AND FLOORS. DO NOT USE CAULKS OR EXPANSION FOAM FOR SEALANT.
- P. MC CABLE ALLOWED WHERE ACCEPTABLE BY CODE. ALL WIRE SHALL BE CONCEALED U.N.O..

POWER PLAN GENERAL NOTES

C

- (1) REFER TO ROOF PLAN.
- (2) INSTALL IN CONDUIT RUNNING ON SURFACE OF KITCHEN SIDE OF CABINERY REAR WALL.
- (3) CONNECT PRODUCTION LINE CIRCUIT BREAKER PANEL VIA UTILITY CHASE IN CEILING TO A POLE, 200 AMP CIRCUIT BREAKER IN MAIN SWITCHBOARD. SEE SHEET E2.0. VERIFY ALL REQUIREMENTS WITH ACTUAL EQUIPMENT SPECIFIED. THE MANUFACTURER WILL FULLY PRE-WIRE THE COMPLETE MAPS LINE AT THE FACTORY. THE UNITS WILL THEN BE PULLED APART FOR SHIPPING PURPOSES. ALL CONNECTION POINTS WILL BE MARKED. THE CONDUIT RUNS WILL BE COILED UP FOR FIELD INSTALLATION. SOME ELECTRICAL COMPONENTS MAY BE REMOVED FOR EASE OF DISASSEMBLING THE LINE-UP. THE ELECTRICAL CONTRACTOR WILL BE FULLY RESPONSIBLE FOR MAKING THE PROPER FIELD CONNECTIONS FROM THE ROUGH-IN LOCATION TO THE MANUFACTURER PROVIDED BREAKER PANEL BOX. IN ADDITION, THE ELECTRICAL CONTRACTOR WILL BE RESPONSIBLE FOR ANY SPLICE POINTS AND/OR JUNCTION BOXES THAT NEED TO BE RECONNECTED. SOME ELECTRICAL COMPONENT ASSEMBLY MAY ALSO BE REQUIRED.
- (4) EQUIPMENT CABINET.
- (5) PROVIDE MOTOR RATED SWITCH FOR DISCONNECTING MEANS FOR WATER HEATER.
- (6) INSTALL CONTROL CABLE FROM FREEZER/COOLER FAN COIL TO ROOF MOUNTED CONDENSER.
- (7) LOCATE SWITCHGEAR PER GUIDELINES ON SHEET A4.1.
- (8) PROVIDE BOOST TRANSFORMER (208V, 1-PHASE IN, 240V, 1-PHASE OUT) FOR FROZEN BEVERAGE DISPENSER.
- (9) WALL MOUNTED HME. SEE 16/E3.1
- (10) PROVIDE DUPLEX RECEPTACLE WITH TWO (2) USB CHARGING PORTS.
- (11) NOTE NOT USED.
- (12) PROVIDE J-BOX FOR POWER SOAK INDICATOR LIGHT. (OPTIONAL)
- (13) PROVIDE POWER TO GAS SHUTOFF SOLENOID. COORDINATE WITH PLUMBING. REFER TO DETAIL 9/E7.0.

- (14) ALL CONVENIENCE OUTLETS IN PUBLIC AREAS SHALL BE TAMPER RESISTANT.
- (15) PROVIDE WALL MOUNTED BOX WITH TWIST LOCK, 120V RECEPTACLE FOR THERMALIZER SENSOR AND 120V POWER TO SOLENOID VALVE. CIRCUIT TO SAME 120V CIRCUIT USED FOR RE-THERMALIZER CONNTRLS. COORDINATE FINAL MOUNTING HEIGHT AND LOCATION WITH CONSTRUCTION MANAGER PRIOR TO ROUGH-IN.
- (16) PROVIDE (4) I68282 DUPLEX OUTLETS IN (2) QUAD BOXES ON FRONT OF VALANCE WALL AS SHOWN. OUTLETS TO BE STRAIGHT BLADE. OUTLETS TO BE ON AN ISOLATED/DEDICATED GROUNDED CIRCUIT THAT IS NOT CONNECTED TO ANY RESTAURANT POWER MANAGEMENT SYSTEM.
- (17) PROVIDE (1) OPEN DATA JUNCTION BOX (JB) IN VALANCE WALL. CONDUIT TERMINATED ABOVE CEILING TO HAVE BUSHING.
- (18) HOOD RELAY CONTROL BOX. REFER TO DETAIL 11/E7.0.
- (19) PROVIDE SINGLE-GANG FLOOR BOX FOR POWER TO TABLE. LEGRAND "OMNIBOX" #880CS1-1 CAST IRON FLOOR BOX WITH #818TCL CARPET TILE FLANGE AND #830CKTCL COVER PLATE. PROVIDE LIQUID-TIGHT NON-METALLIC FLEX FROM FLOOR BOX THRU TABLE LEG TO RECEPTACLE(S) REFERENCED IN KEY NOTES 20 AND 21 BELOW. COORDINATE INSTALLATION WITH TABLE PROVIDED.
- (20) PROVIDE 3/4" PVC IN UNDER FLOOR SLAB BETWEEN FLOOR BOXES AND TO WALL AS SHOWN. STUB UP IN WALL, TRANSITION TO EMT AND ROUTE TO PANEL.
- (21) PROVIDE, INSTALL AND WIRE A DUPLEX RECEPTACLE WITH (2) USB POWER PORTS IN SINGLE-GANG BOX PROVIDED WITH TABLE, AT EACH END OF THE TABLE. PROVIDE GALVANIZED COVER PLATE TO MATCH BOX. FIELD VERIFY EXACT LOCATION AND REQUIREMENTS.

KEY NOTES

B

12144.400

ELECTRICAL COMMENTS 11/17/2017

- △
- △
- △
- △
- △
- △
- △
- △
- △
- △
- △
- △
- △
- △
- △
- △
- △

CONTRACT DATE: 10.2.17
 BUILDING TYPE: EXP. LITE MED40
 PLAN VERSION: DECEMBER 2016
 SITE NUMBER: 311687
 STORE NUMBER: 436563

TACO BELL

3923 SHAKEDOWN ST.
 CHARLOTTE, NC



EXPLORER LITE
 MEDIUM4

POWER FLOOR PLAN

E3.0



GLAY ARCHITECTURE, PLLC
 1300 S. SHILOH ROAD, SUITE 100
 CHARLOTTE, NC 28211
 TEL: 704.366.1400
 WWW.GLAYARCH.COM

DEVITA

ATLANTA • CHARLOTTE • GREENVILLE • RICHMOND
 DELTA & ASSOCIATES, INC. PROJECT: 2002-22
 DRAWN BY: RPB CHECKED BY: RAG
 NC FIRM LICENSE # C-0819

