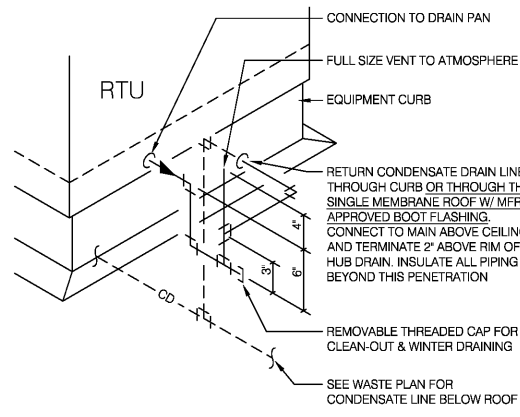
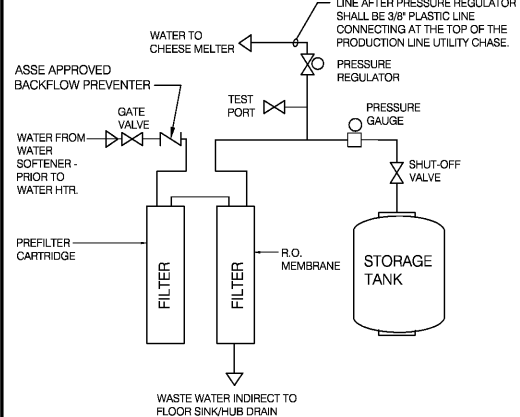


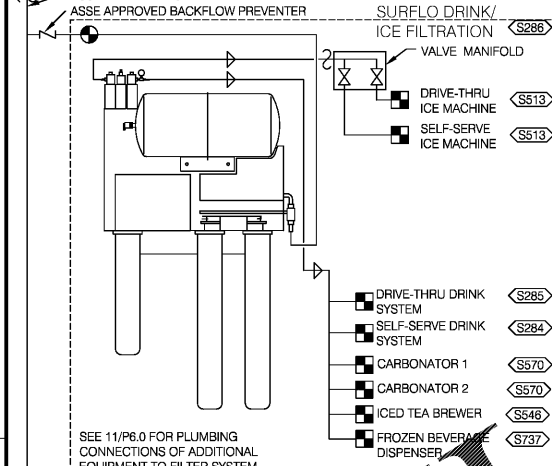
TEMPERING VALVE N.T.S. 17



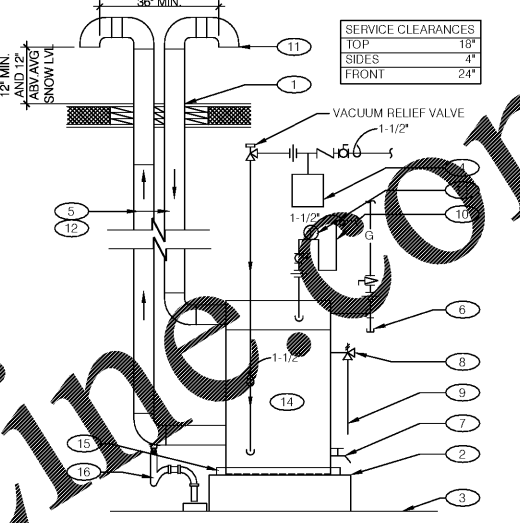
RTU CONDENSATE N.T.S. 13



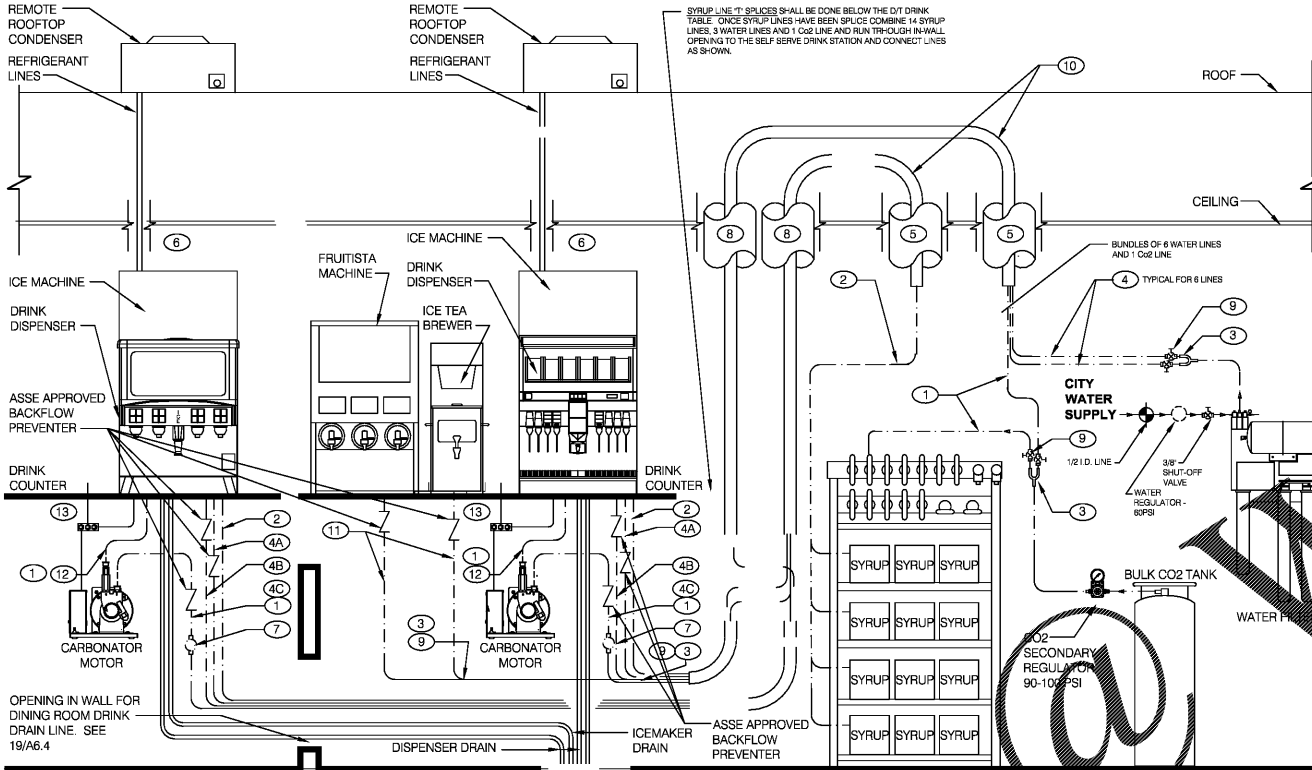
REVERSE OSMOSIS SYSTEM N.T.S. 9



WATER FILTRATION SCHEMATIC N.T.S. 6



WATER HEATER N.T.S. 2



DINING ROOM

DRIVE THRU

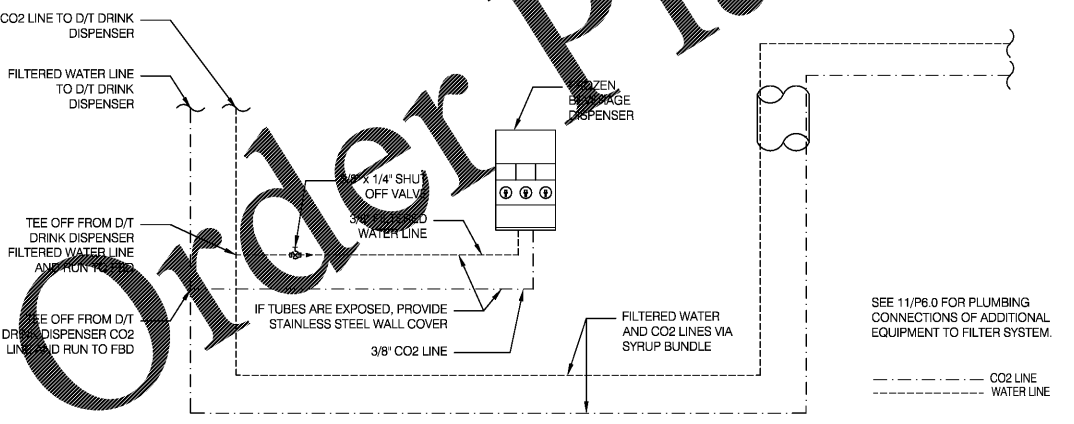
BACK ROOM

- KEY NOTES:**
- 1 3/8" Co2 LINE
 - 2 14 - 3/8" SYRUP LINE BUNDLE
 - 3 1/2 X 3/8 X 3/8" Y"
 - 4 3/8" FILTERED WATER LINE TO DINING & DRIVE THRU
 - A. WATER LINE TO ICE MACHINE
 - B. WATERLINE TO WATER DISPENSER VALVE
 - C. WATERLINE TO CARBONATOR
 - 5 BUNDLED TUBING CEILING PENETRATION. SEE DETAIL 18/A6.4
 - 6 STAINLESS CHASE SURFACE MOUNTED FROM CEILING TO TOP OF ICE MACHINE
 - 7 PRE-SIZED CO2 REGULATOR
 - 8 SURFACE MOUNTED CHASE. ONE ON EACH END. SEE DTL. 15/A6.4
 - 9 3/8" SHUT OFF VALVES BARB FITTINGS. TYP @ ALL Y'S
 - 10 DRINK SYSTEM BUNDLED TUBING. SEE DETAIL 12/P6.0
 - 11 3/8" FILTERED WATERLINE - ICE TEA, FRUITISTA, DRINK MACHINES & ICE MACHINES
 - 12 3/8" LINE FOR PRESSURIZED FILTERED WATER
 - 13 ELECTRICAL FOR DRINK SYSTEM. SEE SHEET E3.0

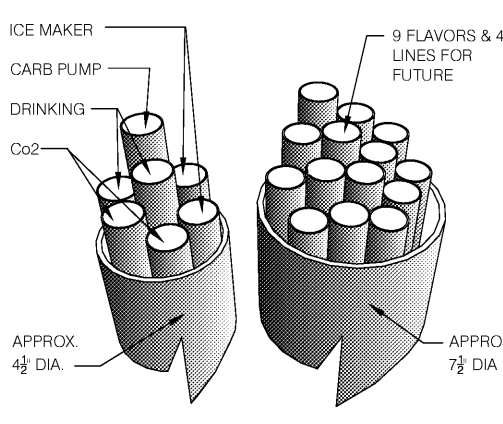
- GENERAL NOTES:**
1. OVERALL FILTER DIMENSIONS: 21" WIDE x 12" DEEP x 48 1/2" HIGH
 2. SEE DETAIL SCOPE OF WORK FOR SCOPE DEFINITIONS.
 3. ROUGH-INS SHALL BE PROVIDED BY THE CONTRACTOR.
 4. INSTALLATION MUST COMPLY WITH ANY STATE OR LOCAL PLUMBING CODES.
 5. THE FILTER MUST BE PROTECTED AGAINST FREEZING.
 6. USE ONLY TEFLON (HIGH-LOW TEMPERATURE) TAPE TO SEAL THREADED PARTS; NO PIPE DOPE.
 7. DO NOT INSTALL WHERE LINE PRESSURE EXCEEDS 125 PSI OR WHERE TEMPERATURE EXCEEDS 100 F.
 8. SEE THE SCHEDULE PLANS FOR LOCATION. SEE DETAIL FOR SHEET FOR BUNDLE TAILS.
 9. TAIL
 10. THE ICE MACHINES WATER LINES SHALL BE INSTALLED @ 1" ABOVE OUTLET.
 11. BACKFLOW PREVENTERS FOR FILTER ASSEMBLY ARE PROVIDED.

NOTE INSTALL ELECTRICAL, WATER, AND DRAIN IN ACCORDANCE WITH ALL LOCAL, STATE & FEDERAL CODES.

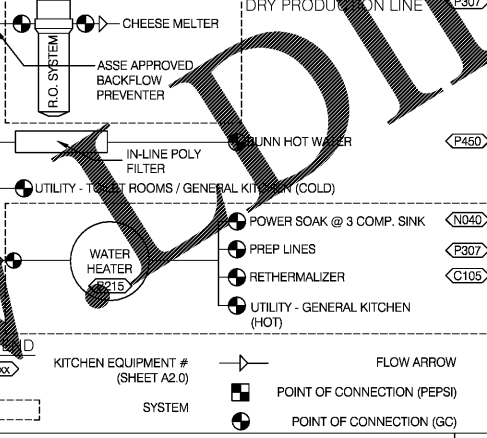
EQUIPMENT RATING:
 ED250 DISPENSER - 115V, 3.5 AMPS
 ED300 DISPENSER - 115V, 4.0 AMPS
 CARBONATOR - 115V, 60 Hz, 7.0 AMPS
 BOOSTER ASSEMBLY - 115V, 60 Hz, 6.5 AMPS



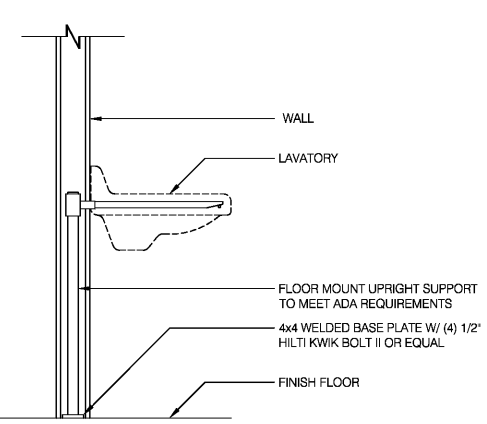
FBD DRINK SYSTEM DETAIL N.T.S. 16



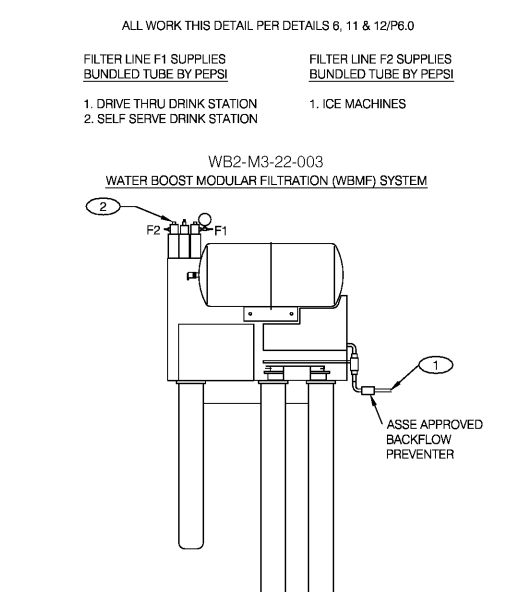
SYRUP BUNDLE CONFIGURATION N.T.S. 12



WATER HEATER SCHEDULE N.T.S. 7



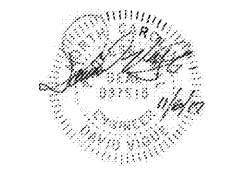
LAVATORY SUPPORT N.T.S. 8



- KEY NOTES:**
- 1 3/4" COLD WATER INLET TO 1/2" COPPER LINE AND FITTINGS AT FILTER.
 - 2 3/4" OUTLET W/ INTEGRAL BACKFLOW PREVENTER, EQUAL TO WATTS REGULATOR CO. SERIES 007 AND SERVICE BALL VALVE.
- GENERAL NOTES:**
1. OVERALL DIMENSIONS 21" WIDE x 12" DEEP x 48 1/2" HIGH
 2. SEE SCOPE OF WORK FOR ADDITIONAL INFORMATION.
 3. INSTALLATION MUST COMPLY WITH STATE OR LOCAL PLUMBING CODES.
 4. THE UNIT MUST BE PROTECTED AGAINST FREEZING.
 5. USE ONLY TEFLON (HIGH-LOW TEMPERATURE) TAPE TO SEAL THREADED PARTS; NO PIPE DOPE.
 6. DO NOT INSTALL WHERE LINE PRESSURE EXCEEDS 125 PSI OR WHERE TEMPERATURE EXCEEDS 100 F.
 7. SEE SHT. A2.0 FOR LOCATION.

WATER FILTER SYSTEM N.T.S. 4

DEVITA
 ATLANTA • CHARLOTTE • GREENVILLE • RICHMOND
 Devita & Associates, Inc. Project # 12002-22
 Drawn By: MAS Checked By: DV
 NC Firm License # C-0819
 Tel: (770) 446-1111 Fax: (770) 446-9494
 www.devita.com



12144.400

CONTRACT DATE: 10.23.17
 BUILDING TYPE: EXP. LITE MED40
 PLAN VERSION: DECEMBER 2016
 SITE NUMBER: 311687
 STORE NUMBER: 436563

TACO BELL
 3923 SHAKEDOWN ST.
 CHARLOTTE, NC

EXPLORES LITE
 MEDIUM54

PLUMBING DETAILS
P6.0