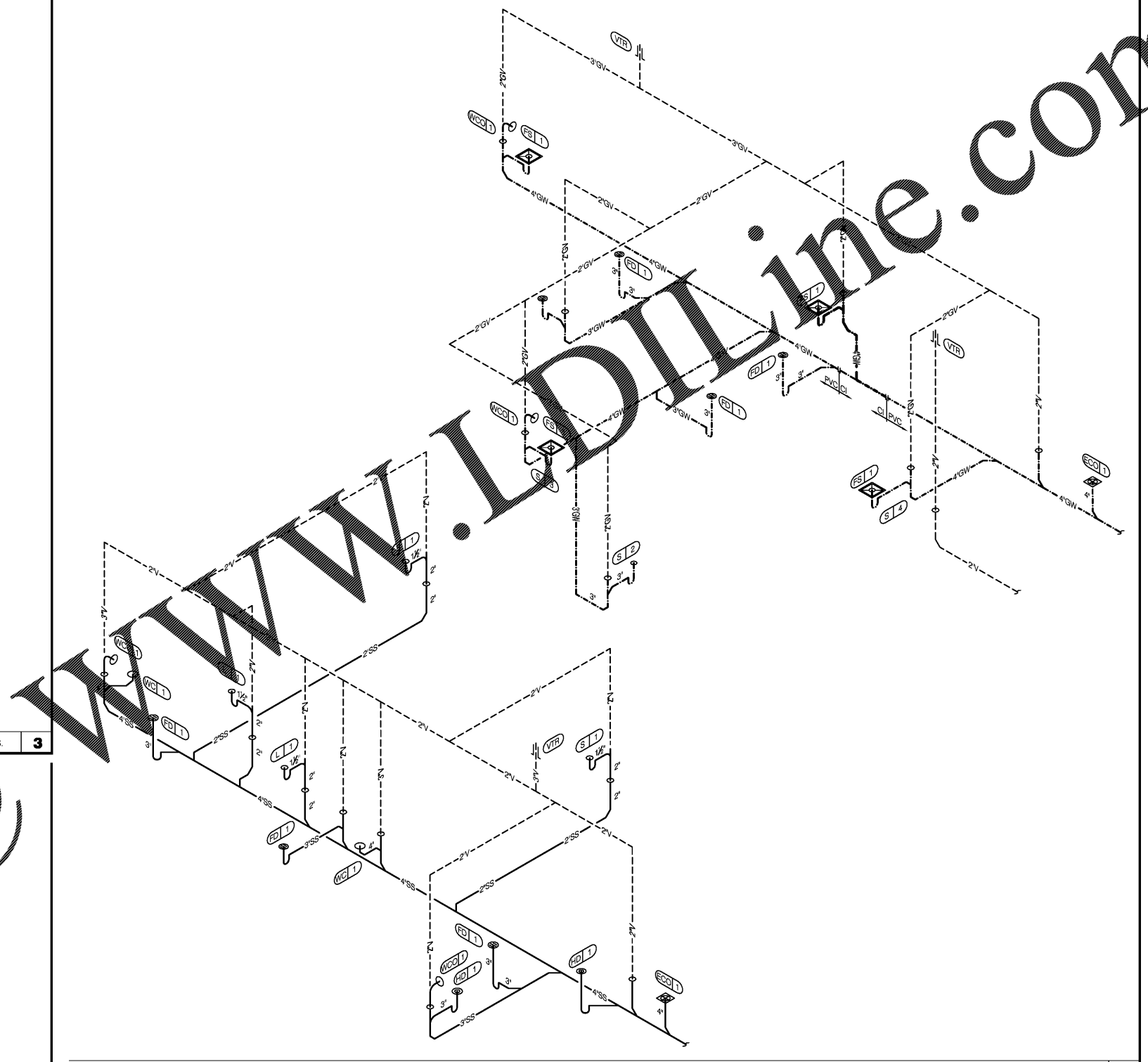
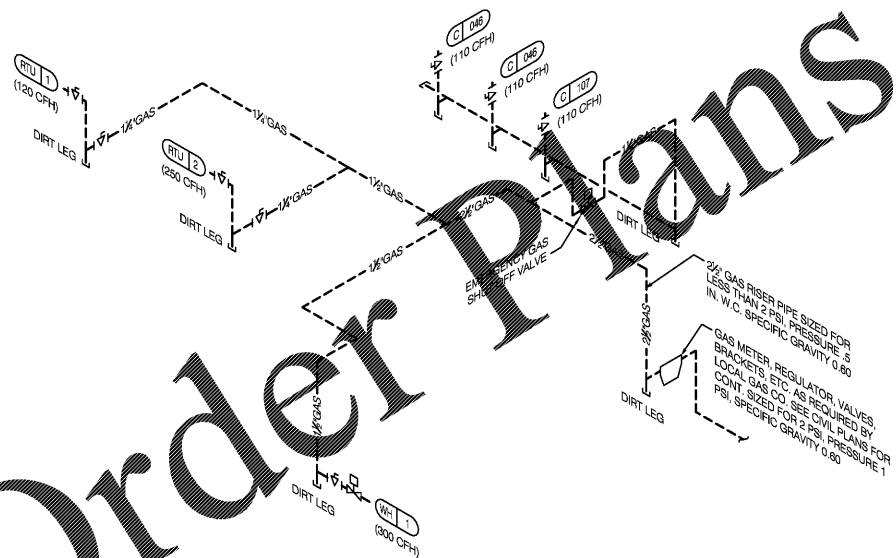


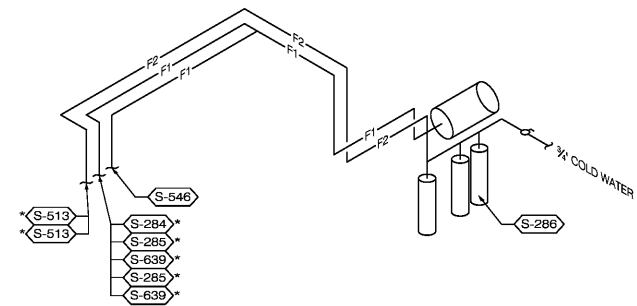
WATER ISOMETRIC N.T.S. 3



WASTE AND VENT ISOMETRIC N.T.S. 1



GAS ISOMETRIC N.T.S. 4



FILTERED EQUIPMENT AND LINES.
 (S-286) - WATER FILTER

FILTERED LINE (COLD WATER)
 (S-513) - ICE MAKER - ABOVE SELF-SERVE BEVERAGE DISPENSER *
 (S-513) - ICE MAKER - ABOVE DRIVE-THRU BEVERAGE DISPENSER *
 (S-285) - DRIVE-THRU BEVERAGE DISPENSER *
 (S-284) - SELF-SERVE BEVERAGE DISPENSER *
 (S-546) - ICED TEA BREWER
 (S-639) - FROZEN BEVERAGE DISPENSER

* FILTERED WATER SUPPLIED VIA SYRUP BUNDLE. REFER TO 11/P6.0. SEE SCOPE OF WORK FOR RESPONSIBILITIES.

FILTERED WATER ISOMETRIC N.T.S. 2

Order Plans @

3

1

4

2



DEVITA
 ATLANTA • CHARLOTTE • GREENVILLE • RICHMOND
 DeWitt & Associates, Inc. Project # 17002-22
 Drawn By: MAS Checked By: DV
 NC Firm License # C-0819



12144.400

- △
- △
- △
- △
- △
- △
- △
- △
- △
- △

CONTRACT DATE: 10.23.17
 BUILDING TYPE: EXP. LITE MED40
 PLAN VERSION: DECEMBER 2016
 SITE NUMBER: 311687
 STORE NUMBER: 438563

TACO BELL
 3923 SHAKEDOWN ST.
 CHARLOTTE, NC



EXPLORER LITE
 MEDIUM64

RISER DIAGRAMS

P5.0