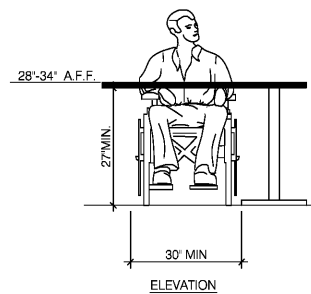


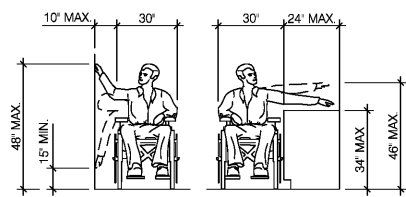
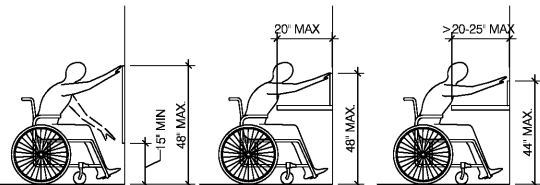
TOTAL SEATS ACCESSIBLE SEATS

1 - 20	1
21 - 40	2
41 - 60	3
61 - 80	4
81 - 100	5
101 - 120	6
121 - 140	7

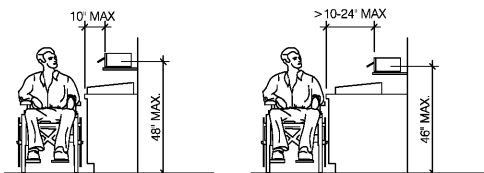
NUMBER OF ACCESSIBLE SEATS



SEATING AND TABLES N.T.S. 18



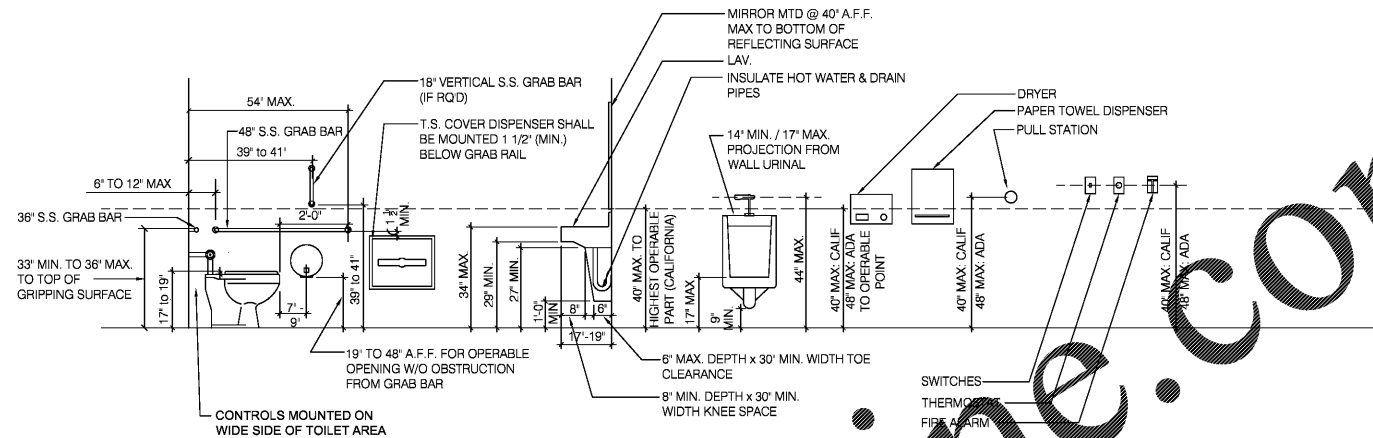
EXAMPLE: DRINK MACHINE, ETC.



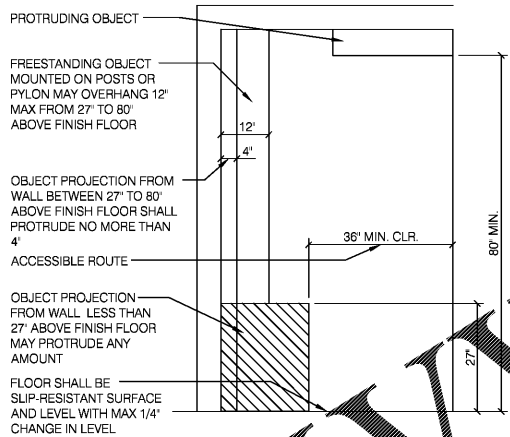
CONDIMENTS

REACH RANGES N.T.S. 14

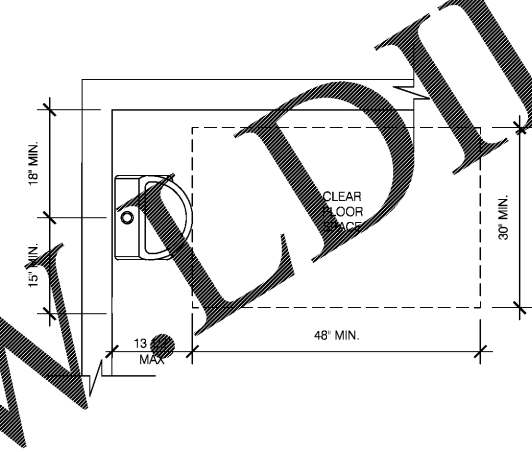
- NOTES:
- TOP OF GRIPPING SURFACE 33" TO 36" MAX TO THE TOP OF THE BAR. SEE NOTES BELOW
 - 12" MINIMUM CLEAR ABOVE GRAB BAR



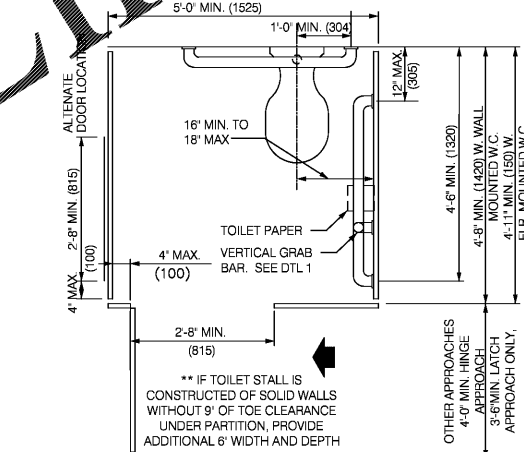
MOUNTING HTS. & CLEARANCES FOR ACCESSIBILITY BY THE DISABLED N.T.S. 1



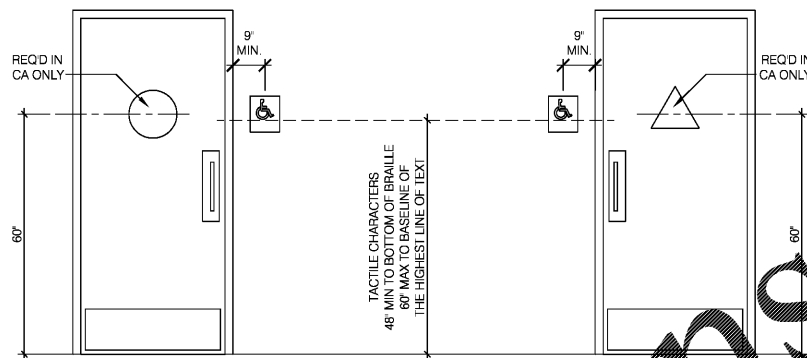
INT. ACCESS. ROUTE CLEARANCES 1'-0" 10



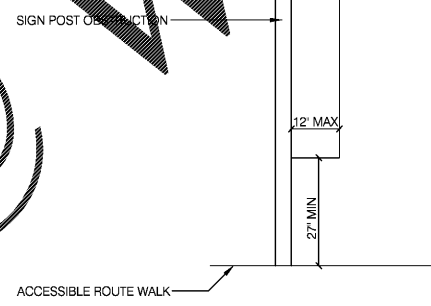
ACCESSIBLE URINAL 3/4" - 1'-0" 6



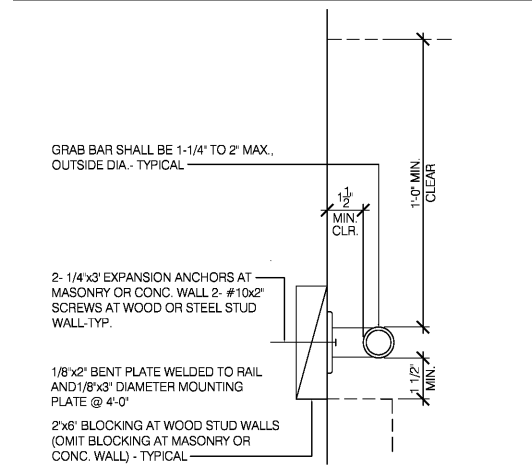
STANDARD TOILET STALL N.T.S. 2



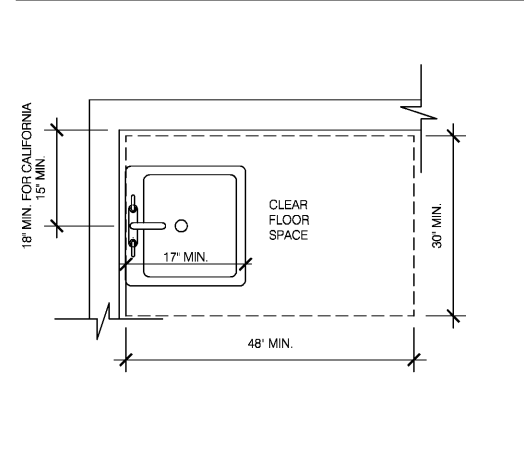
ACCESSIBLE RESTROOM DOORS N.T.S. 15



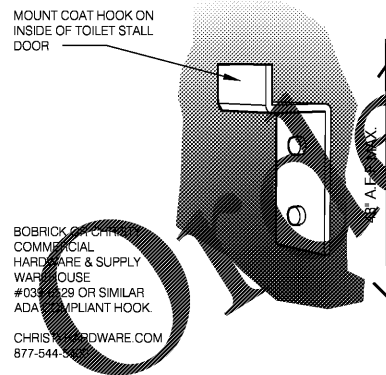
PROTRUDING HAZARDS 1/2" - 1'-0" 11



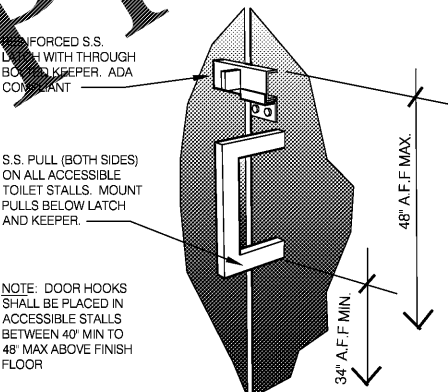
GRAB BAR 3' - 1'-0" 7



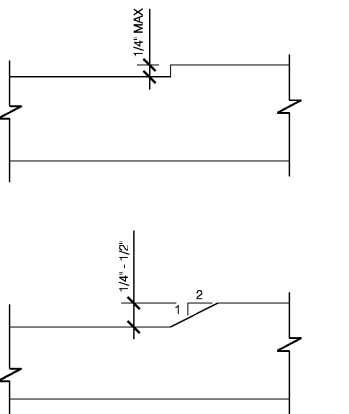
ACCESSIBLE LAVATORY 3/4" - 1'-0" 3



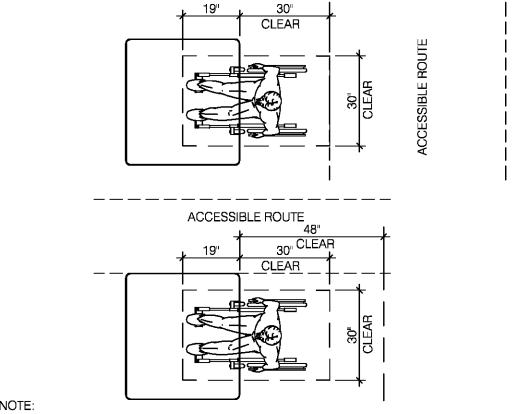
COAT HOOK N.T.S. 20



PARTITION DOOR LATCH @ PULL 16



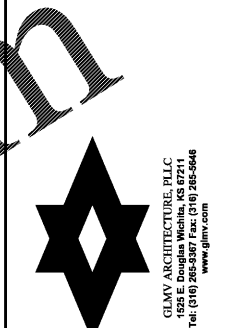
CHANGES IN LEVEL N.T.S. 12



DINING ROOM SEATING CLEARANCES N.T.S. 8

- GENERAL NOTES
- INDICATED DIMENSIONS, HEIGHTS, DEPTHS, AREAS AND OTHER GRAPHIC INFORMATION ARE PROVIDED AS MINIMUMS THAT MUST BE MAINTAINED. THESE MINIMUMS ARE BASED UPON YUM STANDARDS AND MAY EXCEED ADA REQUIREMENTS.
 - THE DETAILS SHOWN ARE CONCEPTUAL ONLY AND INTENDED TO SHOW ABSOLUTE MINIMUMS AND SHALL BE COORDINATED WITH THE OTHER CONSTRUCTION DOCUMENTS ASSOCIATED WITH THIS PROJECT.
 - 60" TURNING SPACE
 - PERMITTED OVERLAP LIMITED TO 1 ARM OF T-SHAPED SPACE
 - CAN OVERLAP FIXTURE & DOOR CLEARANCE
 - DOOR CAN SWING INTO TURNING SPACE A MAXIMUM OF 12"
 - RESTROOM, IN GENERAL, DOOR SWING MUST BE OUTSIDE OF THE FIXTURE CLEAR FLOOR SPACE HOWEVER A DOOR CAN SWING INTO FIXTURE CLEAR FLOOR SPACE IF WHEELCHAIR SPACE 30"x48" IS PROVIDED BEHIND THE DOOR SWING.
 - TOILET ROOM MUST ALLOW FOR SIDE TRANSFER - 42" BETWEEN FIXTURES

GENERAL NOTES 4



12144.400

CONTRACT DATE: 10/23/17
 BUILDING TYPE: EXP. LITE MED40
 PLAN VERSION: DECEMBER 2016
 SITE NUMBER: 311687
 STORE NUMBER: 436563

TACO BELL
 3923 SHAKEDOWN ST.
 CHARLOTTE, NC



ACCESSIBILITY REQUIREMENTS

ADA1.0