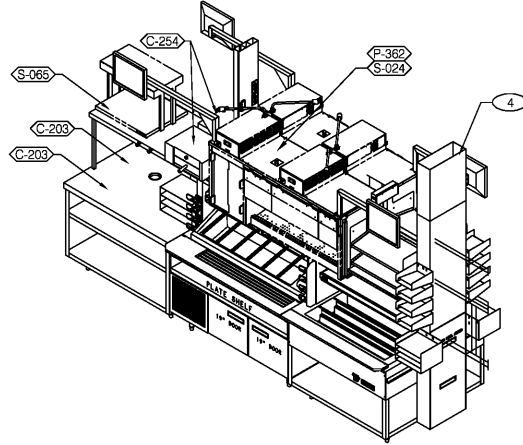
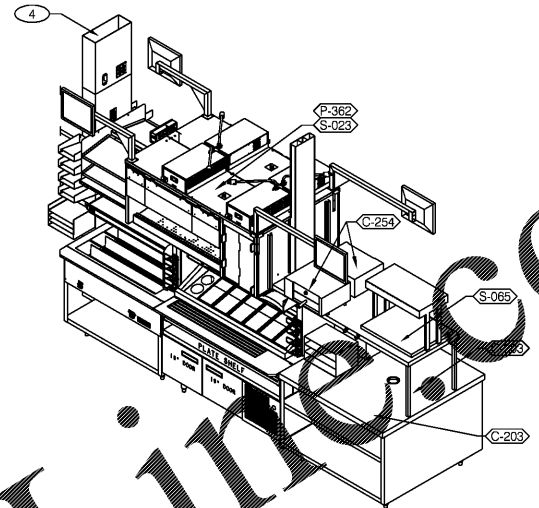


3



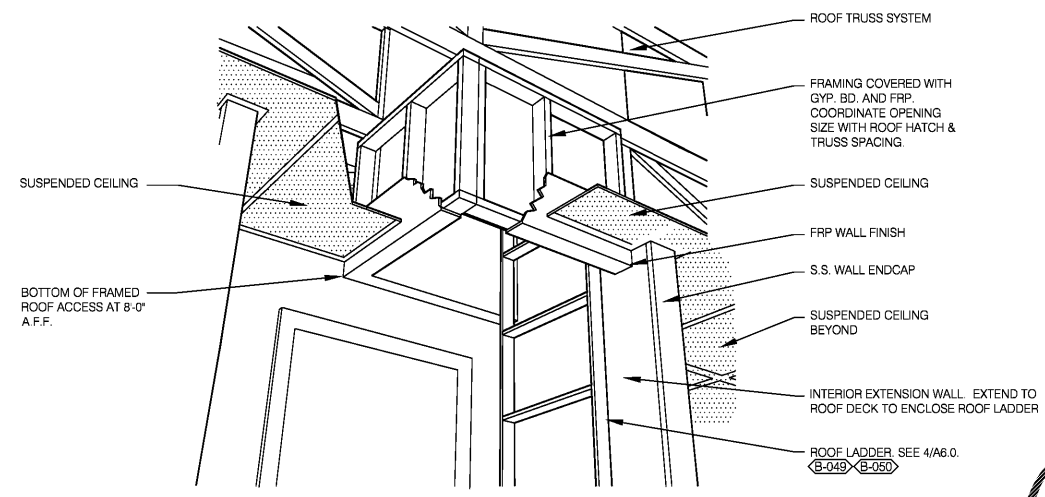
2



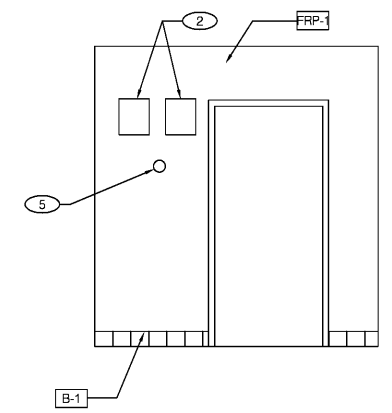
1

SERVING 3/8" = 1'-0"

GTO DUAL LINE 3/8" = 1'-0"

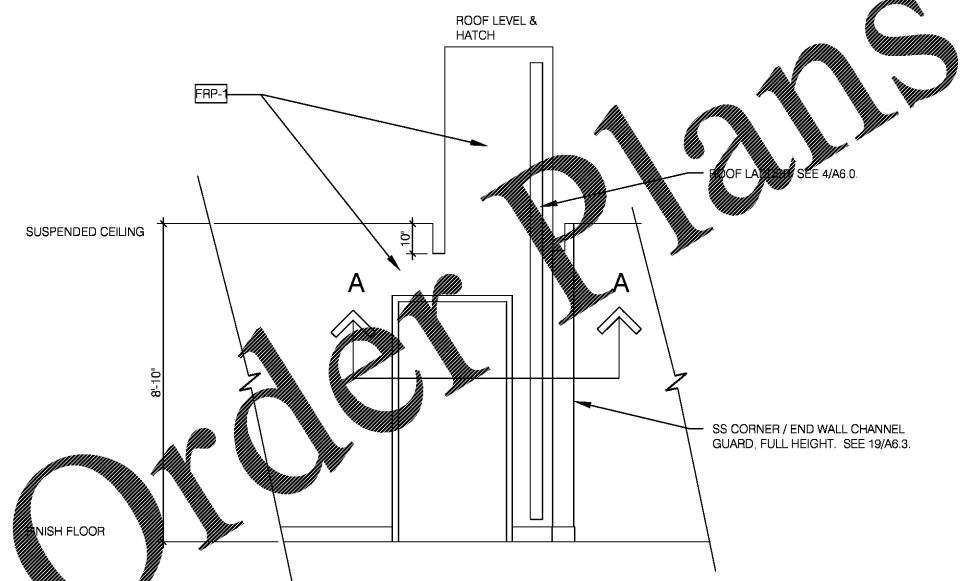


A - ROOF LADDER VIEW



4

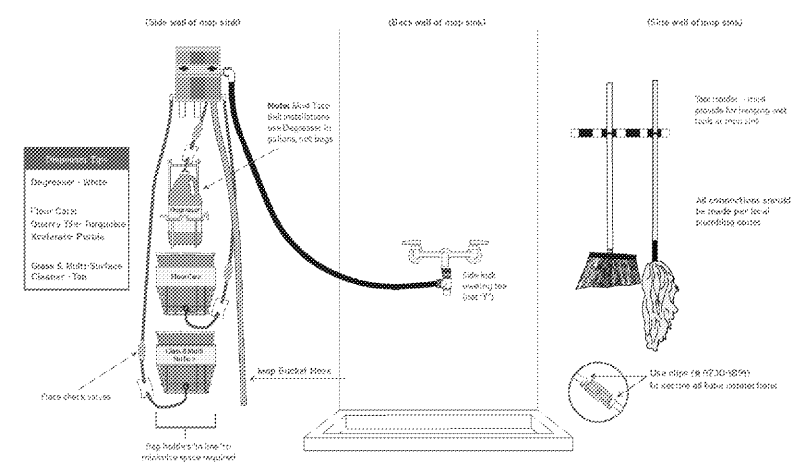
EMPLOYEE / STORAGE 3/8" = 1'-0"



5

ROOF ACCESS PASSAGEWAY N.T.S. B

Taco Bell Mop Sink Installation



INSTALL IN ACCORDANCE WITH STATE AND LOCAL FIREMARRING CODES. Do not use mop sink unless equipped with automatic sensor lines. This mop sink will not be in compliance with state or local fire codes unless it is equipped with automatic sensor lines. 800.529.5458

MOP SINK INSTALLATION C

- 1 SAFE - INSTALLATION BY BRINKS
- 2 FAN MOTOR STARTERS, SURFACE MOUNTED, TYP. OF 2.
- 3 HOLD-UP BUTTON
- 4 UTILITY CHASE.
- 5 TEMPERATURE SENSOR. SEE MECHANICAL DRAWINGS.

KEY NOTES A



12144.400

CONTRACT DATE: 10.23.17
 BUILDING TYPE: EXP. LITE MED40
 PLAN VERSION: DECEMBER 2016
 SITE NUMBER: 311687
 STORE NUMBER: 436563

TACO BELL
 3923 SHAKEDOWN ST.
 CHARLOTTE, NC



INTERIOR ELEVATIONS KITCHEN

A8.3

KEY NOTES A