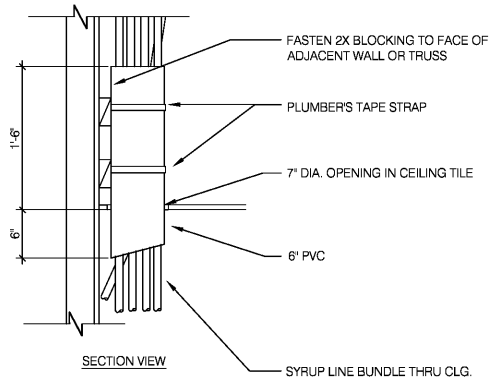
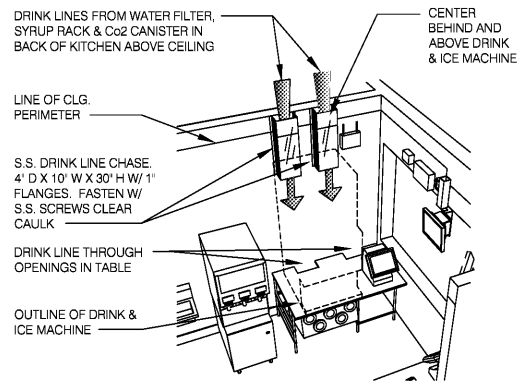


**SYRUP LINE IN CEILING** N.T.S. **17**

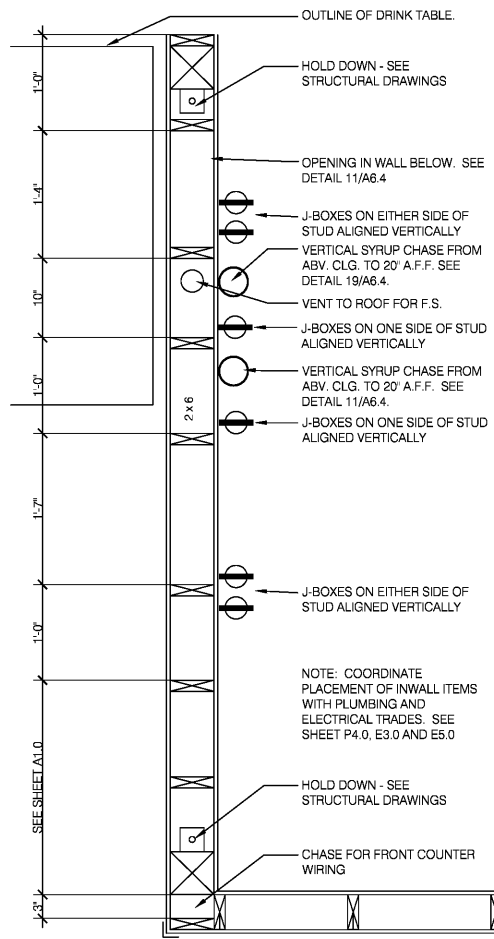


**SYRUP BUNDLE CLG. PENETRATION** N.T.S. **18**



**SYRUP CHASE ON WALL** N.T.S. **19**

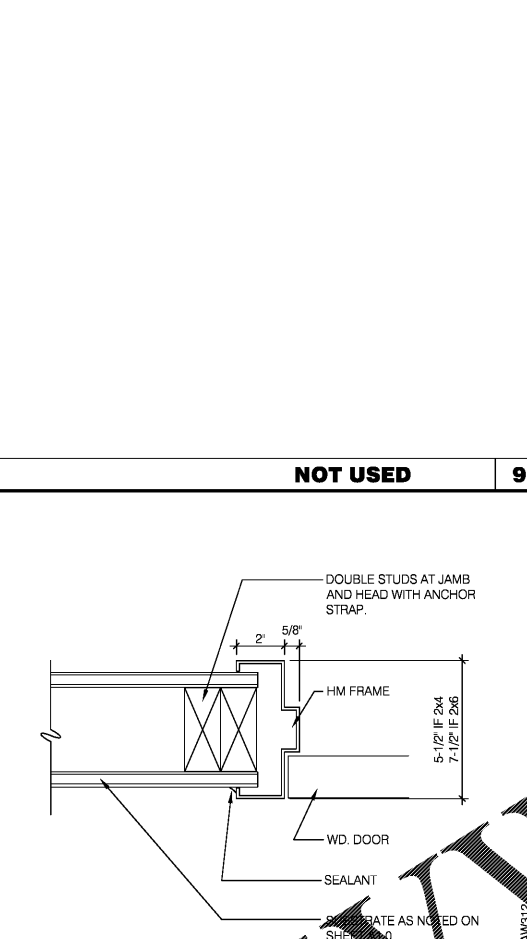
**NOT USED** N.T.S. **20**



**INTERIOR CHASE WALL** N.T.S. **14**

**NOT USED** N.T.S. **15**

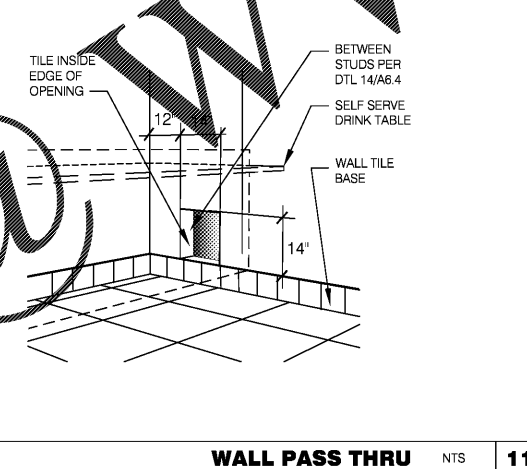
**NOT USED** N.T.S. **16**



**HEAD / JAMB @ HM. DOOR** N.T.S. **10**

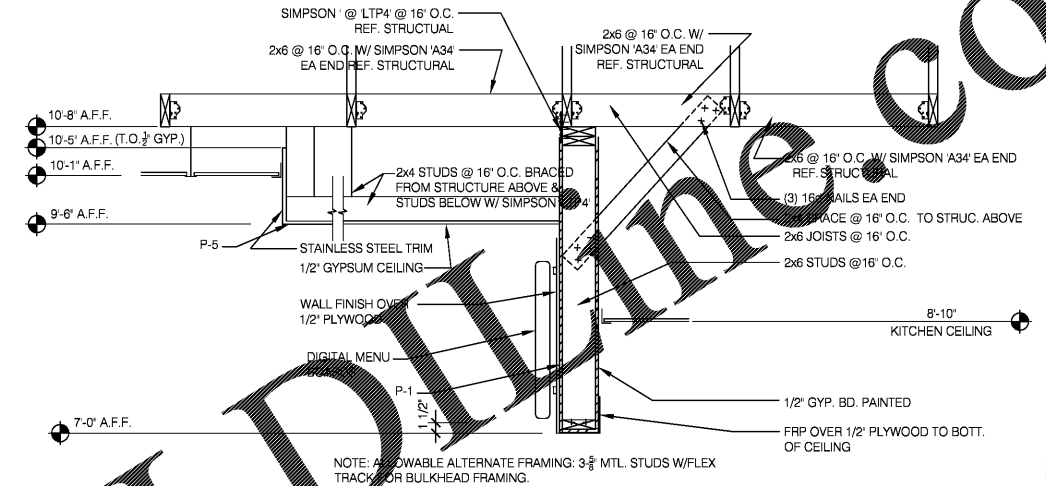
**WALL PASS THRU** N.T.S. **11**

**NOT USED** N.T.S. **12**

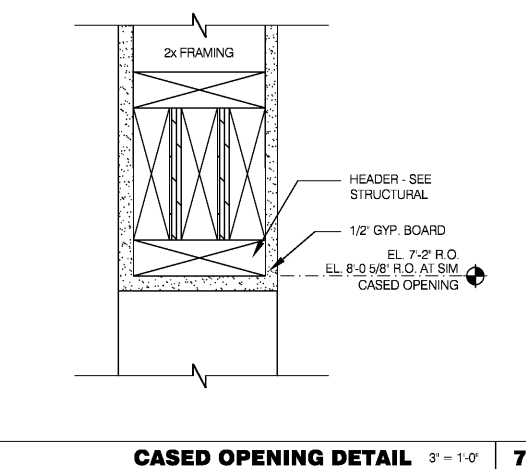


**WALL PASS THRU** N.T.S. **11**

**NOT USED** N.T.S. **12**

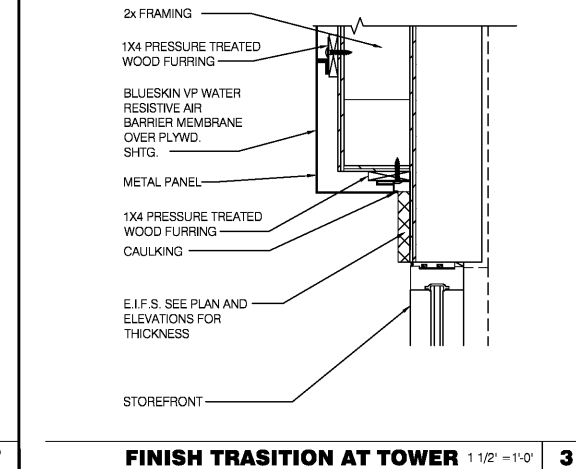


**MENU BOARD/SOFFIT SECTION** 3/4\"/>

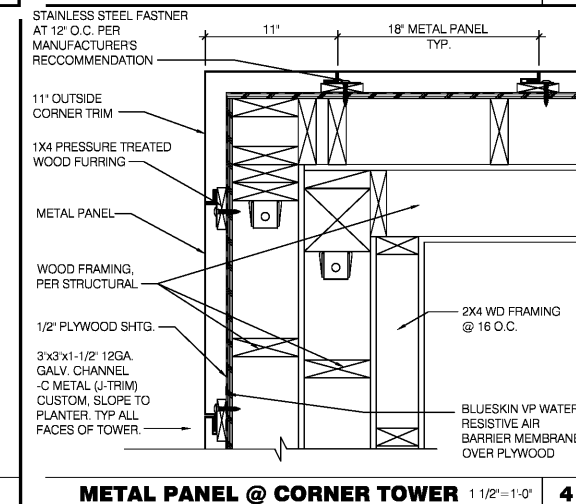


**CASED OPENING DETAIL** 3\"/>

**NOT USED** N.T.S. **8**

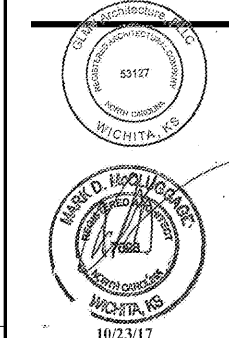
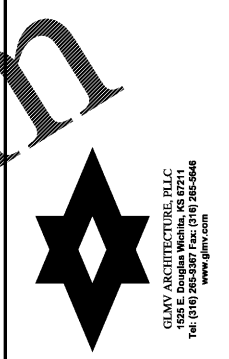


**FINISH TRISITION AT TOWER** 1 1/2\"/>



**METAL PANEL @ CORNER TOWER** 1 1/2\"/>

**Order Plans**



12144.400

△  
△  
△  
△  
△  
△  
△  
△  
△  
△

CONTRACT DATE: 10.23.17  
BUILDING TYPE: EXP. LITE MED40  
PLAN VERSION: DECEMBER 2016  
SITE NUMBER: 311687  
STORE NUMBER: 436563

TACO BELL  
3923 SHAKEDOWN ST.  
CHARLOTTE, NC



**CONSTRUCTION DETAILS INTERIOR A6.4**