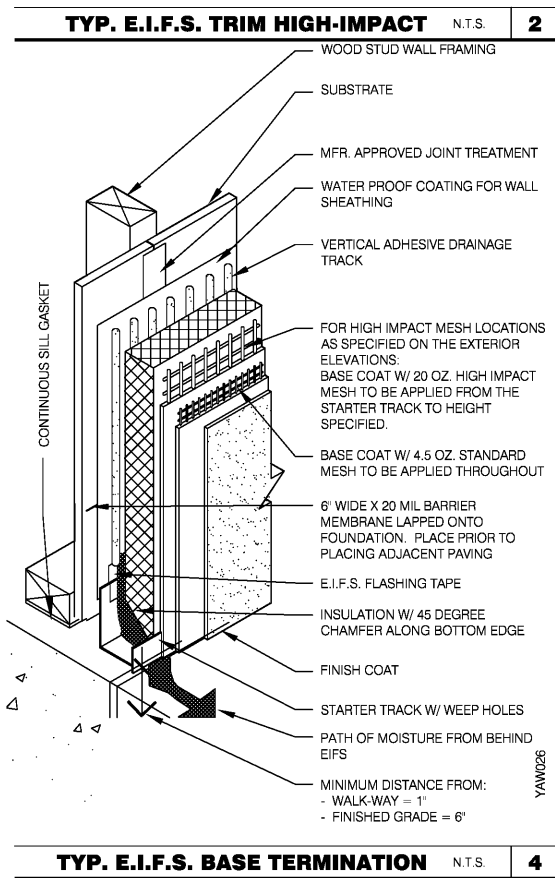
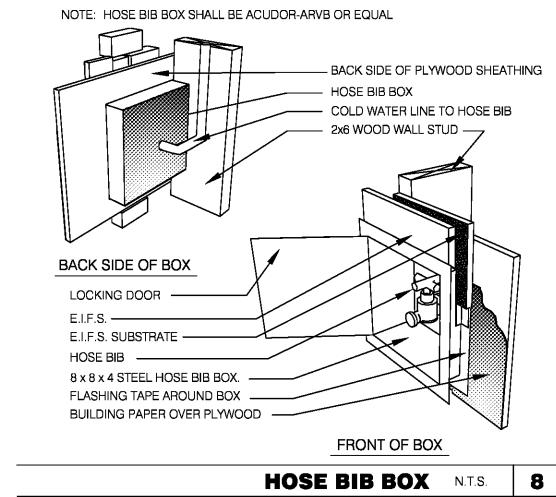
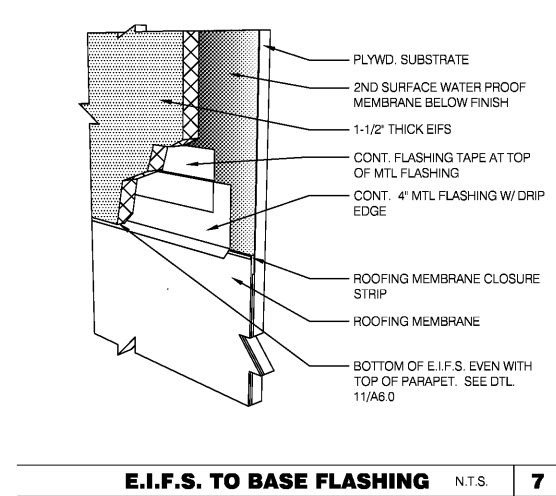
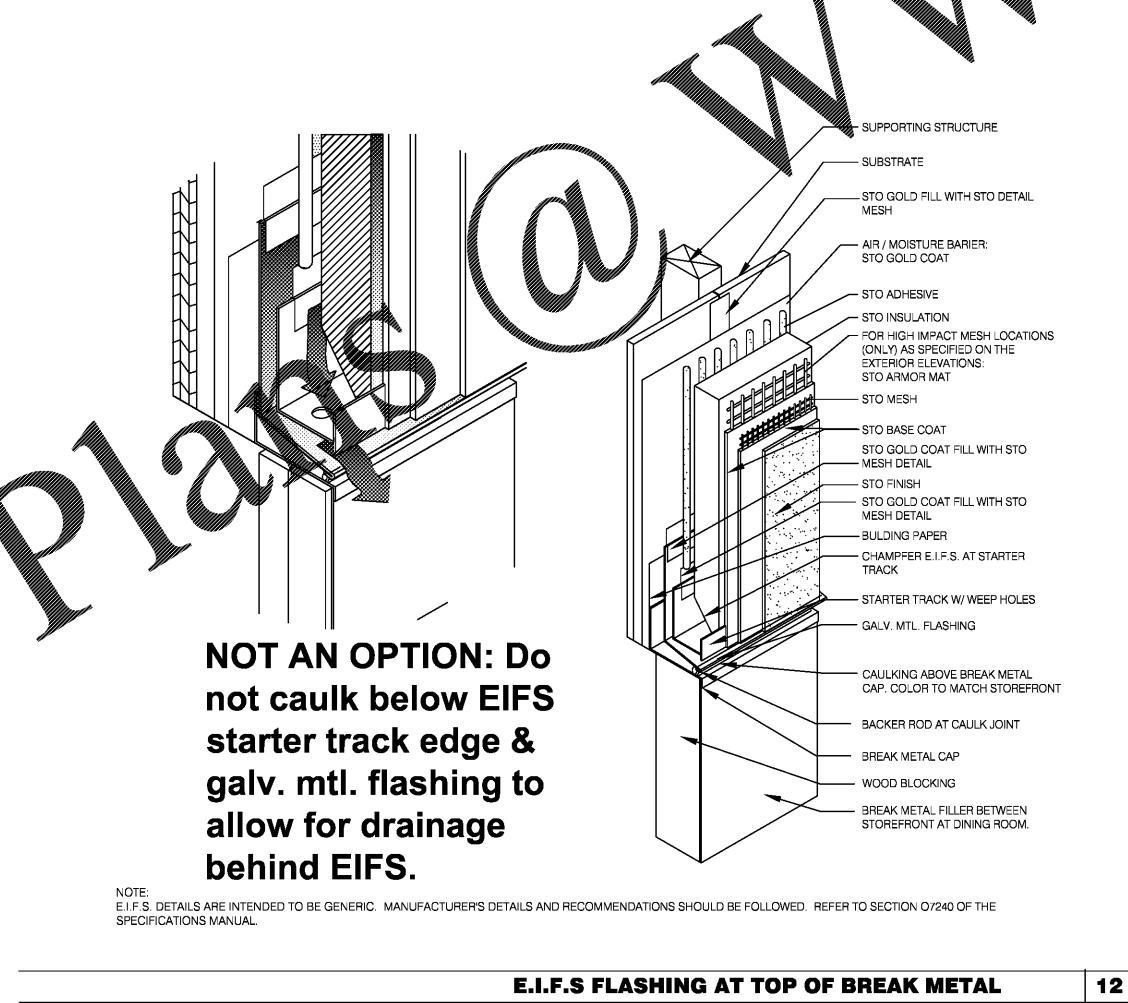
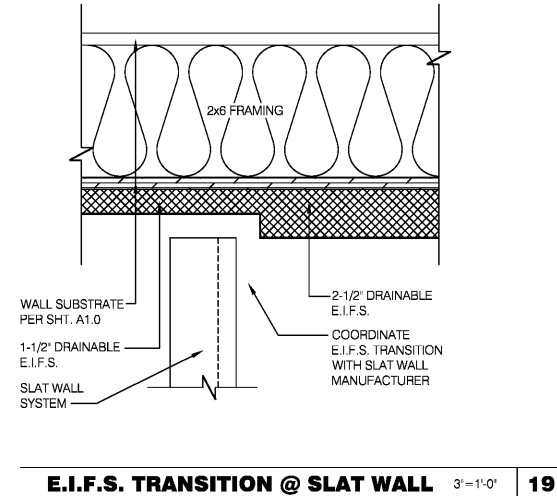
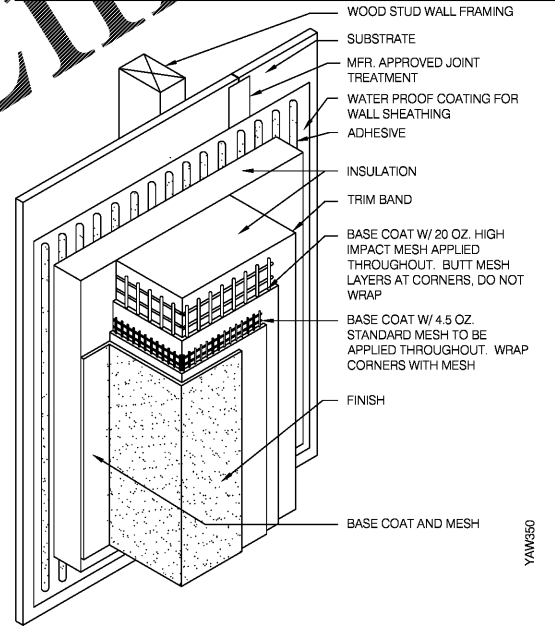
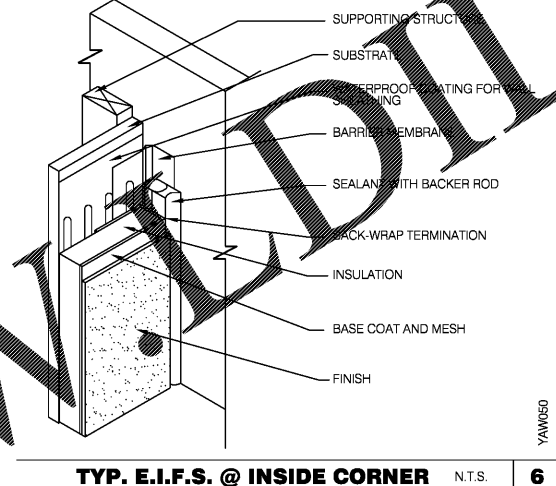
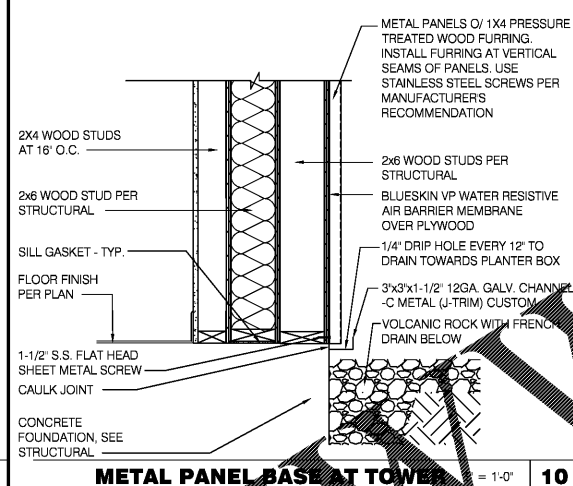
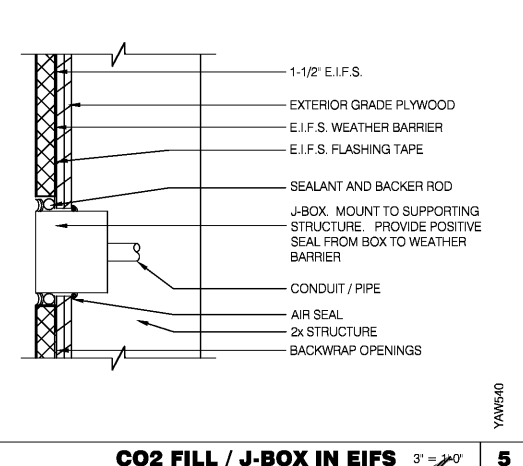
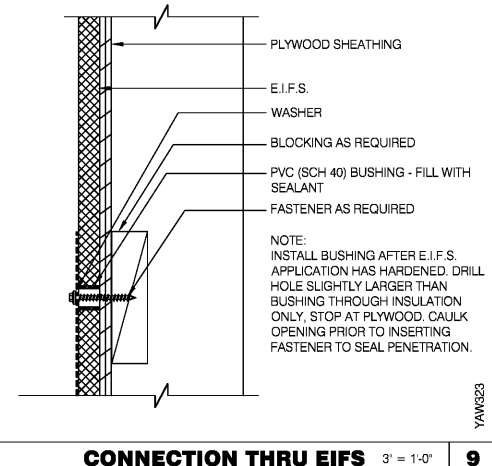


**NOTES**

- ① 2x WOOD STUDS
- ② PLYWOOD SUBSTRATE FOR EXTERIOR WALLS
- ③ FLASHING TAPE AT ALL VERTICAL PARAPET TRANSITIONS. EXTEND TAPE 12" OUTWARD AND UPWARD FROM CORNER AS SHOWN. LAP CORNERS WITH ANGLED TAPE AS SHOWN TO INSURE FULL COVERAGE AT CORNERS
- ④ DOUBLE 2x TOP PLATE
- ⑤ PAINTED 24 GAUGE PARAPET COPING. SLOPE 1/4:1 TOWARDS ROOF WITH PRESSURE TREATED PLYWOOD UNDER COPING. LAP FRONT AND BACK EDGE 2" DOWN VERTICAL FACE. LAP EXPOSED COPING EDGE EXPOSED ENDS AT VERTICAL PARAPET TRANSITION.
- ⑥ WRAP 1-1/2" THICK EIFS ONTO VERTICAL FACE OF PARAPET TRANSITION
- ⑦ EIFS FINISH ON OUTER SURFACE OF EXTERIOR WALL. THICKNESS PER THE EXTERIOR ELEVATIONS ON SHEET A4.0
- ⑧ TERMINATION BAR AT VERTICAL TRANSITION OF EIFS AND MEMBRANE ROOFING. SEAL VERTICAL GAP BETWEEN TERMINATION BAR AND EIFS PER ROOFING MANUFACTURER SPECIFICATIONS.
- ⑨ PVC ROOFING MEMBRANE ON BACKSIDE OF PARAPET.

**IMPORTANT:** ONLY FASTEN PARAPET COPING ALONG THE FRONT AND BACK VERTICAL EDGE. NEVER ON TOP OF COPING.

**PARAPET CAP & TRANSITION** N.T.S. **14**



**NOT USED** N.T.S. **20**

**Order Plans @ WWDIline.com**

**NOT AN OPTION: Do not caulk below EIFS starter track edge & galv. mtl. flashing to allow for drainage behind EIFS.**

NOTE: E.I.F.S. DETAILS ARE INTENDED TO BE GENERIC. MANUFACTURER'S DETAILS AND RECOMMENDATIONS SHOULD BE FOLLOWED. REFER TO SECTION O7240 OF THE SPECIFICATIONS MANUAL.

**WWDIline.com**

GLAV ARCHITECTURE, PLLC  
1532 E. Douglas Wichita, KS 67211  
Tel: (316) 265-5307 Fax: (316) 265-5444  
www.glav.com

GLAV ARCHITECTURE, PLLC  
53127  
WICHITA, KS

MARK D. WOODRUFF  
Professional Engineer  
WICHITA, KS  
10/23/17  
12144.400

CONTRACT DATE: 10.23.17  
BUILDING TYPE: EXP. LITE MED40  
PLAN VERSION: DECEMBER 2016  
SITE NUMBER: 311687  
STORE NUMBER: 436563

**TACO BELL**  
3923 SHAKEDOWN ST.  
CHARLOTTE, NC

**TACO BELL**  
EXPLORER LITE  
MEDIUM54

**CONSTRUCTION DETAILS WALL**

**A6.2**