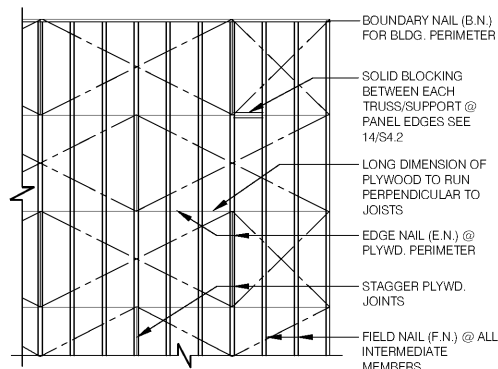


- CONNECTION TYPE:
1. JOIST TO SILL OR GIRDER, TOENAIL (3-8d)
  2. BRIDGING TO JOIST, TOENAIL EACH END (2-8d)
  3. 1"x6" (25MMx152MM) SUBFLOOR OR LESS TO JOIST, FACE NAIL (2-8d)
  4. WIDER THAN 1" X 6" (25MMx152MM) SUBFLOOR TO JOIST, FACE NAIL (3-8d)
  5. 2" (52MM) SUBFLOOR TO GIRDER, BLIND AND FACE NAIL (2-16d)
  6. SOLE PLATE TO JOIST OR BLOCKING, TYPICAL FACE NAIL (16d @ 16" O.C.)
  7. SOLE PLATE TO JOIST OR BLOCKING, AT BRACED W. PANELS (3-16d PER 16")
  8. TOP PLATE TO STUD, END NAIL (2-16d)
  9. STUD TO SOLE PLATE (2-16d END NAIL)
  10. DOUBLE STUDS, FACE NAIL (16d @ 24", O.C.)
  11. DOUBLE TOP PLATES, TYPICAL FACE NAIL (16d @ 16" O.C.)
  12. DOUBLE TOP PLATES, LAP SPLICE (8-16d)
  13. BLOCKING BETWEEN JOISTS OR RAFTERS TO TOP PLATE, TOENAIL (3-8d)
  14. RIM JOIST TO TOP PLATE, TOENAIL (8d @ 6" O.C.)
  15. TOP PLATES, LAPS AND INTERSECTIONS, FACE NAIL (2-16d)
  16. CONTINUOUS HEADER, TWO PIECES (16d @ 16" O.C. ALONG EDGE)
  17. CEILING JOISTS TO PLATE, TOENAIL (3-8d)
  18. CONTINUOUS HEADER TO STUD, TOENAIL (4-8d)
  19. CEILING JOISTS, LAP OVER PARTITIONS, FACE NAIL (3-16d)
  20. CEILING JOISTS TO PARALLEL RAFTERS, FACE NAIL (3-16d)
  21. RAFTER TO PLATE, TOENAIL (3-8d)
  22. 1" (25MM) BRACE TO EACH STUD AND PLATE, FACE NAIL (2-8d)
  23. 1"x8" SHEATHING OR LESS TO EACH BEARING, FACE NAIL (2-8d)
  24. WIDER THAN 1"x8" SHEATHING TO EACH BEARING, FACE NAIL (3-8d)
  25. BUILT-UP CORNER STUDS (16d @ 24" O.C.)
  26. 2" PLANKS (2-16d AT EACH SPLICE)
  27. 2x6 BOX BEAM / HEADER (12d @ 12" O.C.)
  28. BUILT-UP GIRDER AND BEAMS (20d @ 32" O.C. AT TOP & BOTTOM AND STAGGERED 2-20d AT ENDS AND AT EACH SPLICE)

- NAILING:
1. MIN. PLYWD. SHT. SIZE SHALL BE 2'-0" X 4'-0".
  2. MIN. 3/8" NAILING EDGE DISTANCE.
  3. EDGE NAIL (E.N.) O/ BEAMS AND AROUND ALL OPENINGS.



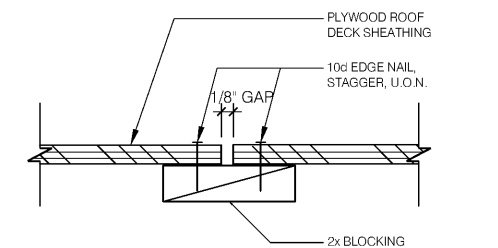
BOUNDARY NAIL (B.N.) FOR BLDG. PERIMETER  
 SOLID BLOCKING BETWEEN EACH TRUSS/SUPPORT @ PANEL EDGES SEE 14/S4.2  
 LONG DIMENSION OF PLYWOOD TO RUN PERPENDICULAR TO JOISTS  
 EDGE NAIL (E.N.) @ PLYWD. PERIMETER  
 STAGGER PLYWD. JOINTS  
 FIELD NAIL (F.N.) @ ALL INTERMEDIATE MEMBERS

**ROOF NAILING PLAN** N.T.S. **13**

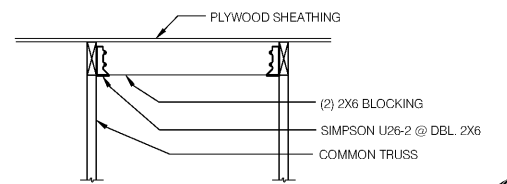
EQUIPMENT	DESIGN WEIGHT
HVAC UNIT - RTU-1	1700 lbs.
HVAC UNIT - RTU-2	2800 lbs.
HVAC UNIT - RTU-1 (ALT)	1750 lbs.
HVAC UNIT - RTU-2 (ALT)	1900 lbs.
EXHAUST FAN - EF-1	200 lbs.
EXHAUST FAN - EF-2	70 lbs.
HOOD #1 - TACO BELL	400 lbs.
ICE CONDENSERS	200 lbs.
FREEZER CONDENSER	300 lbs.
COOLER CONDENSER	300 lbs.
MUZAK DISH, SLED & BALLAST - ALLOW FOR LOCATION ANYWHERE ON ROOF.	1,087 lbs.

\* A. ALL DESIGN WEIGHTS INCLUDE CURB.  
 B. COORDINATE WEIGHTS WITH HVAC UNIT SCHEDULE 1/M1.0.

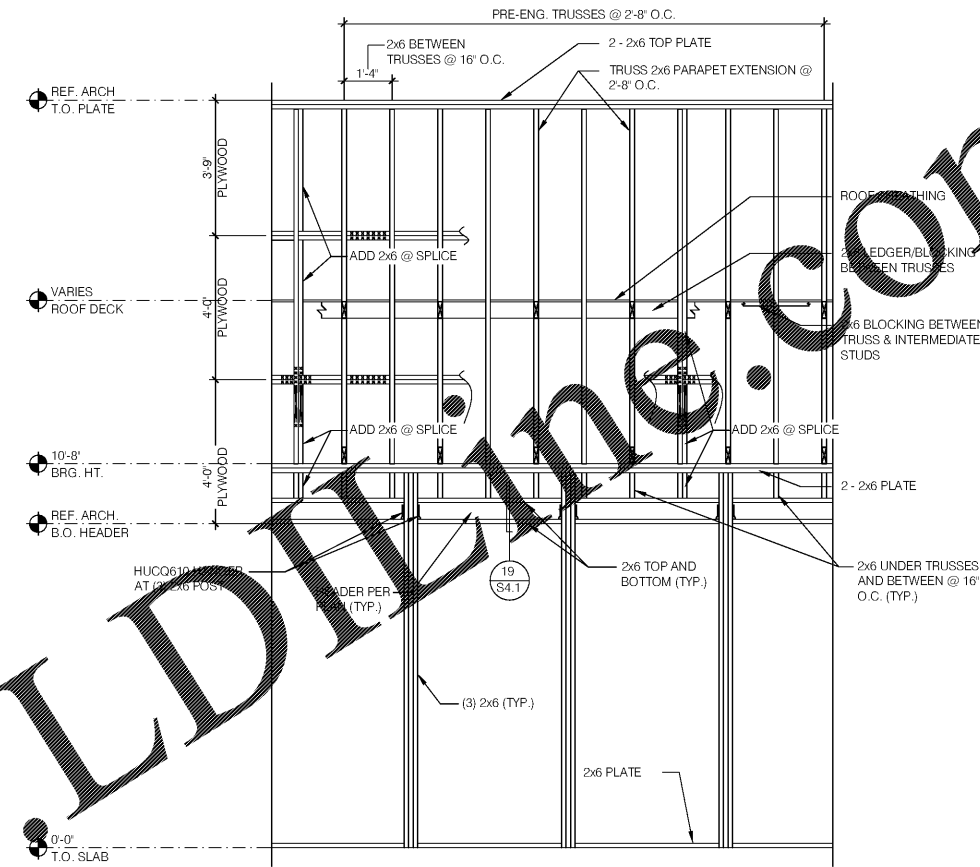
**ROOF TOP EQUIPMENT WEIGHTS** N.T.S. **9**



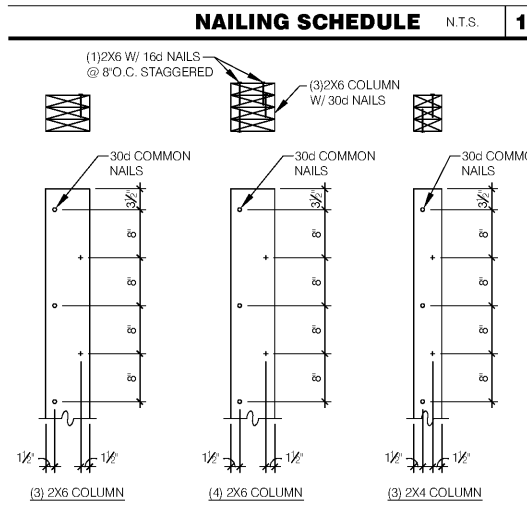
**PLYWOOD EDGE BLOCKING** N.T.S. **14**



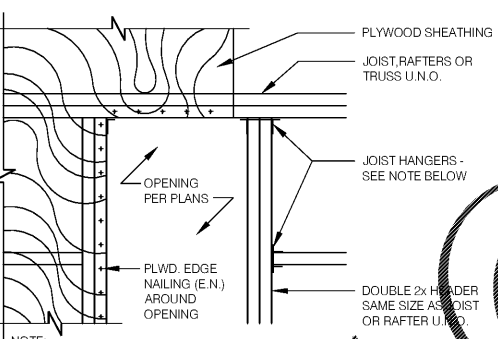
**ROOF OPENING DETAIL** N.T.S. **10**



**WALL FRAMING DETAIL** 3/8" = 1'-0" **2**



**BUILT-UP 2X COLUMNS** N.T.S. **19**



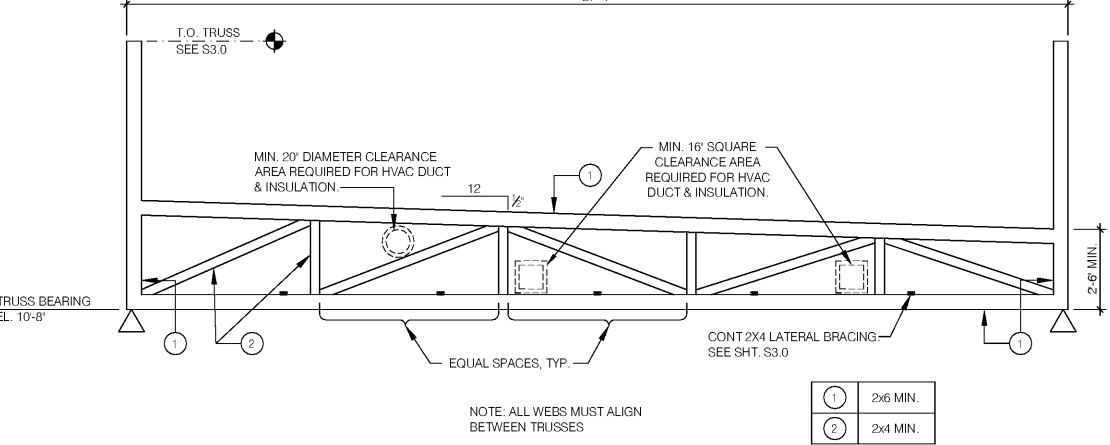
NOTE:  
 HANGERS SHALL BE 'SIMPSON' STANDARD 'U' @ ROOF DBL. JOIST OR RAFTERS SHALL BE JOINED TOGETHER AS FOLLOWS:  
 1. 10' OR LESS NOM. DEPTH - 16d @ 12" O.C. STAGGERED  
 2. MORE THAN 10' - (2)16d @ 12" O.C.

**TYPICAL ROOF OPENING** 1" = 1'-0" **15**

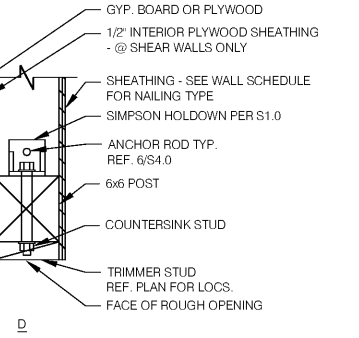
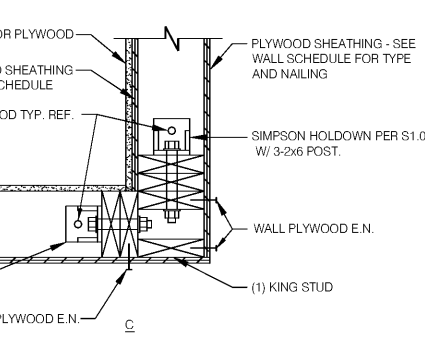
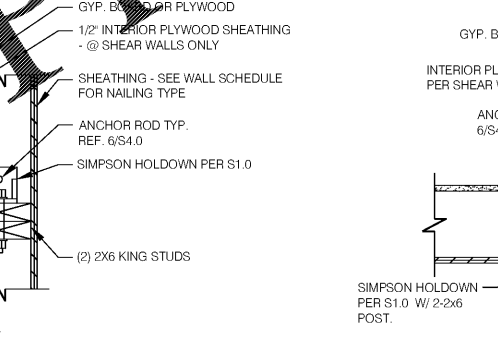
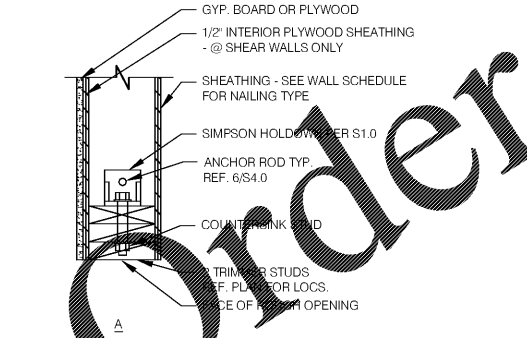
TRUSS TYPES	SINGLE TRUSS DESIGNATION	DOUBLE TRUSS DESIGNATION	BEARING POINT	CONNECTIONS
T#				SEE NOTE 1.

NOTES:  
 1. HOLDOWN CONNECTIONS SHALL BE SPECIFIED BY SITE SPECIFIC ARCHITECT/ENGINEER BASED UPON LOADING DATA PROVIDED BY TRUSS DESIGNER.  
 2. PROVIDE SHOP DRAWINGS PRIOR TO FABRICATION.  
 TRUSS MEMBER SIZES ARE FOR REFERENCE ONLY. ACTUAL SIZE SHALL BE DETERMINED BY TRUSS MANUFACTURER BASED ON ACTUAL LOAD CONDITIONS AND CODES.  
 4. 'D' DENOTES DRAG TRUSS FOR LATERAL FORCE RESISTING SYSTEM.

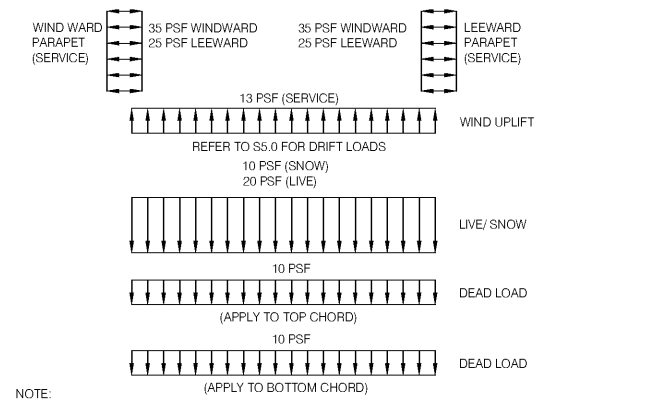
**TRUSS SCHEDULE** N.T.S. **11**



**TRUSS ELEVATION** 1/4" = 1'-0" **3**



**HOLDOWN DETAILS** 1 1/2" = 1'-0" **8**



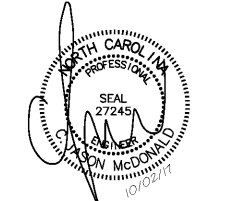
NOTE:  
 ALSO, APPLY ROOF TOP AND SUSPENDED POINT LOADS. WEIGHT AND LOCATION OF UNITS AS NOTED ARE SHOWN ON S4.1 AND ARE NOT INCLUDED IN THE ABOVE LOADING DIAGRAM. VERIFY THESE LOADS WITH MECHANICAL SUPPLIER BEFORE DESIGNING TRUSS.

**TRUSS DESIGN CRITERIA** N.T.S. **4**

**BRITT PETERS**  
 ASSOCIATES  
 INC.  
 consulting engineers  
 101 Falls Park Drive  
 Suite 601  
 Greenville, SC 29601  
 (864) 271-8869  
 Fax: (864) 233-5140  
 www.brittpeters.com

NC CERTIFICATE OF LICENSURE: C-1088

**GLM Architects**  
 1525 E. Douglas  
 White, NC 27174  
 Tel: (919) 265-5666  
 www.glm.com



12144.400

CONTRACT DATE: 10/23/17  
 BUILDING TYPE: EXP. LITE MED40  
 PLAN VERSION: DECEMBER 2016  
 SITE NUMBER: 311687  
 STORE NUMBER: 436563

**TACO BELL**  
 3923 SHAKEDOWN ST.  
 CHARLOTTE, NC

**TACO BELL**  
**EXPLORER LITE**  
 MEDIUMS4  
**STRUCTURAL**  
**DETAILS**  
**S4.2**

PLOT DATE: