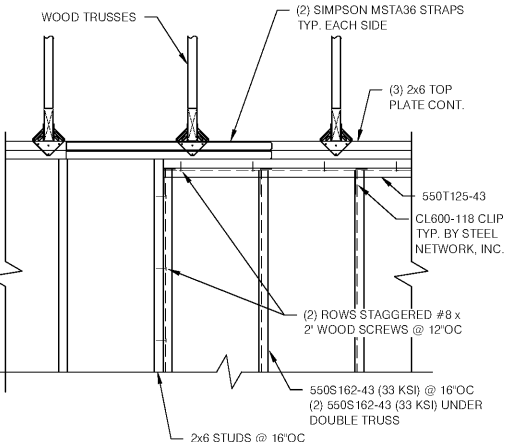
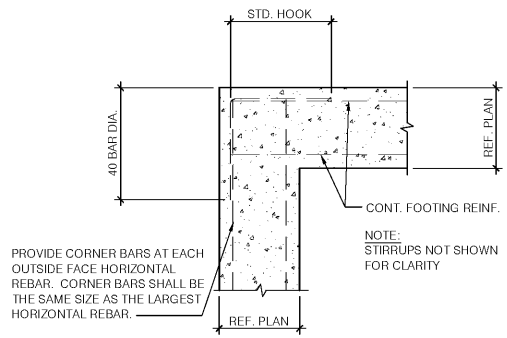


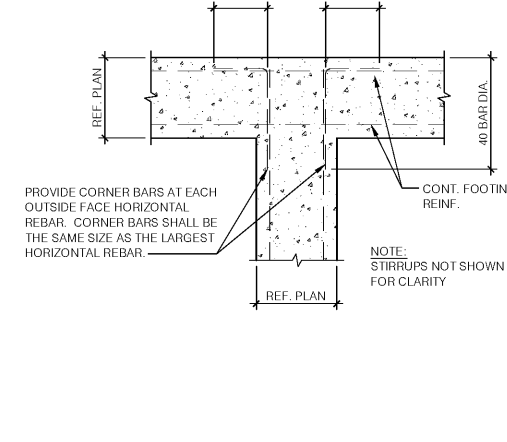
TYP. CONST. & CONTROL JOINTS 3/4" = 1'-0" **17**



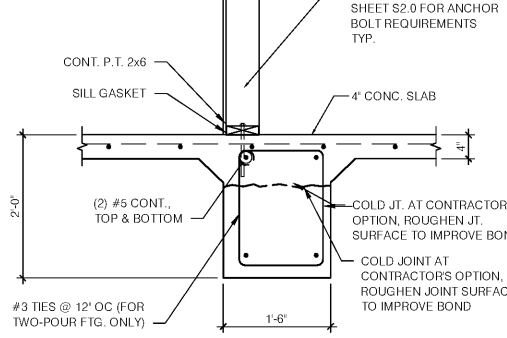
METAL STUD FRAMING ELEVATION N.T.S. **18**



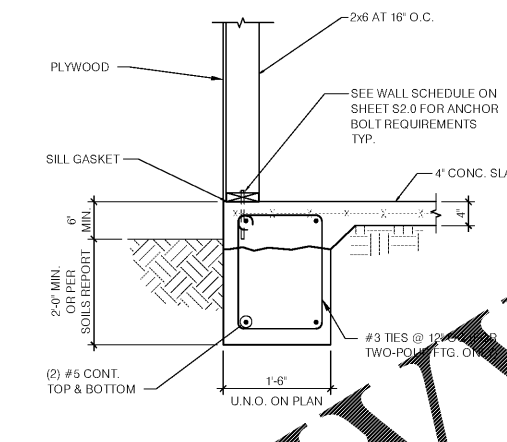
CORNER & INTERSECTION REINF. 1" = 1'-0" **14**



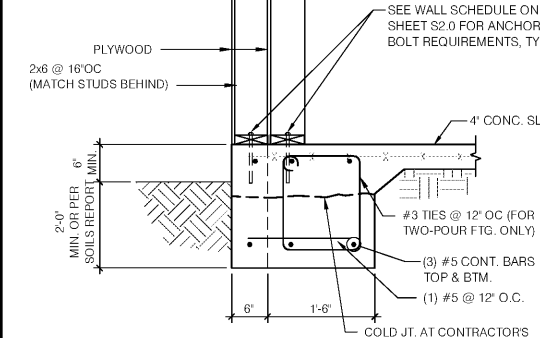
FOOTING AT COOLER N.T.S. **10**



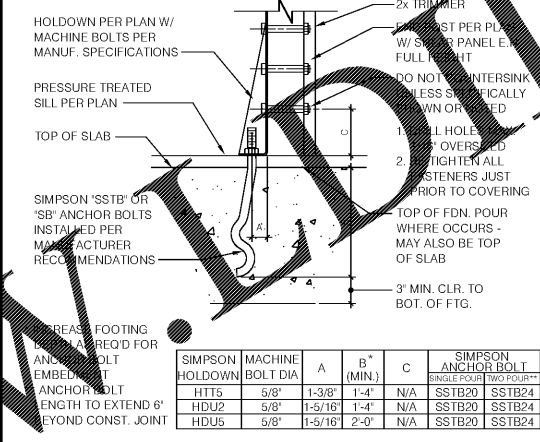
INTERIOR FOOTING AT COOLER N.T.S. **9**



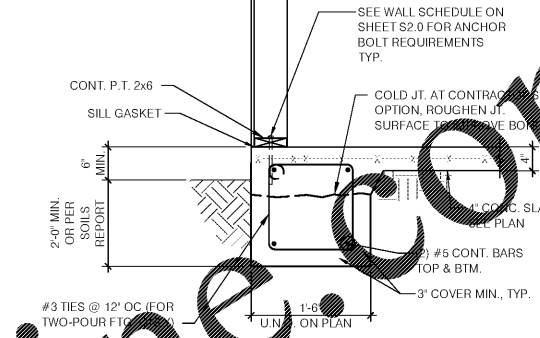
FOOTING AT COOLER N.T.S. **10**



FURRED WALL N.T.S. **5**



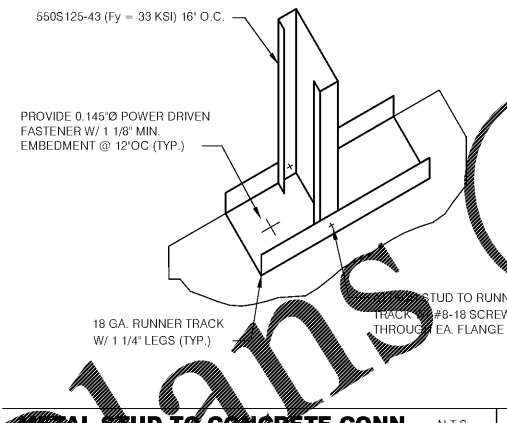
HOLDDOWN SCHEDULE N.T.S. **6**



FOOTING @ SIDE & REAR WALLS N.T.S. **1**



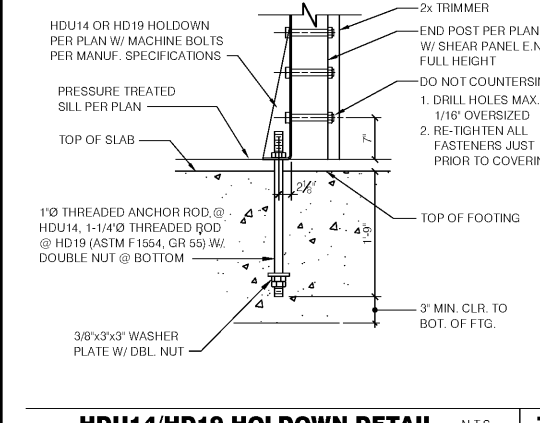
NOT USED N.T.S. **2**



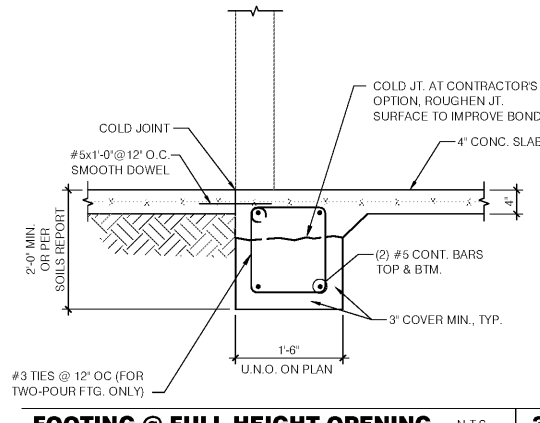
METAL STUD TO CONCRETE CONN. N.T.S. **15**



NOT USED N.T.S. **11**

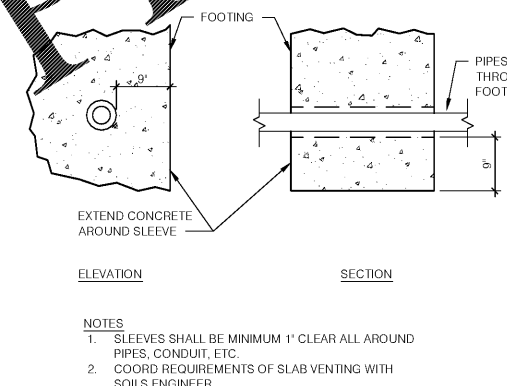


HDU14/HD19 HOLDDOWN DETAIL N.T.S. **7**



FOOTING @ FULL HEIGHT OPENING N.T.S. **3**

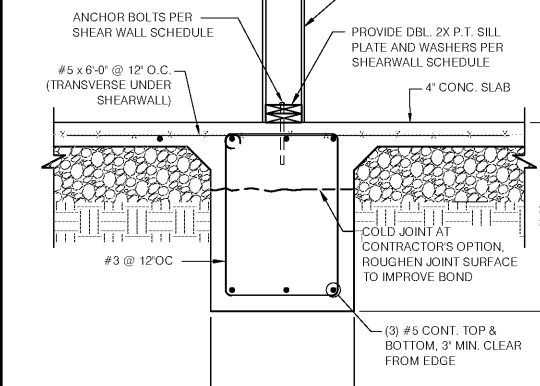
Order Plans @



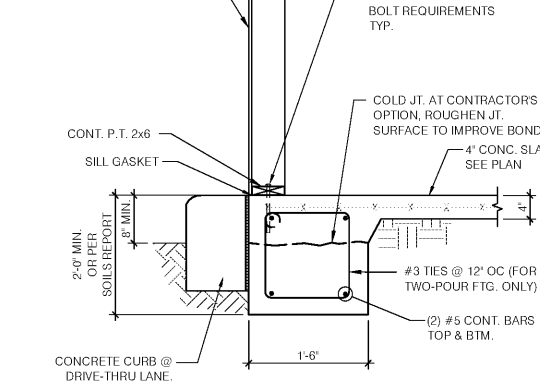
PIPES THROUGH FOUNDATIONS N.T.S. **16**



NOT USED N.T.S. **12**



FOOTING @ INTERIOR SHEARWALL N.T.S. **8**

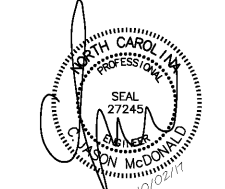


FOOTING @ DRIVE THRU N.T.S. **4**

BRIIT PETERS
AND
ASSOCIATES
INC.
consulting engineers
101 Falls Park Drive
Suite 601
Greenville, SC 29601
(864) 271-8869
Fax: (864) 233-5140
www.briitpeters.com

NC CERTIFICATE OF
LICENSURE: C-1088

GLM Architect
1525 E. Douglas
White, KS 67214
Tel: (616) 265-5648
www.glm.com



12144.400

CONTRACT DATE: 10.23.17
BUILDING TYPE: EXP. LITE MED40
PLAN VERSION: DECEMBER 2016
SITE NUMBER: 311687
STORE NUMBER: 436563

TACO BELL
3923 SHAKEDOWN ST.
CHARLOTTE, NC

TACO BELL
EXPLORER LITE
MEDIUM54

**STRUCTURAL
DETAILS
(FOUNDATION)**

S4.0

PLOT DATE: