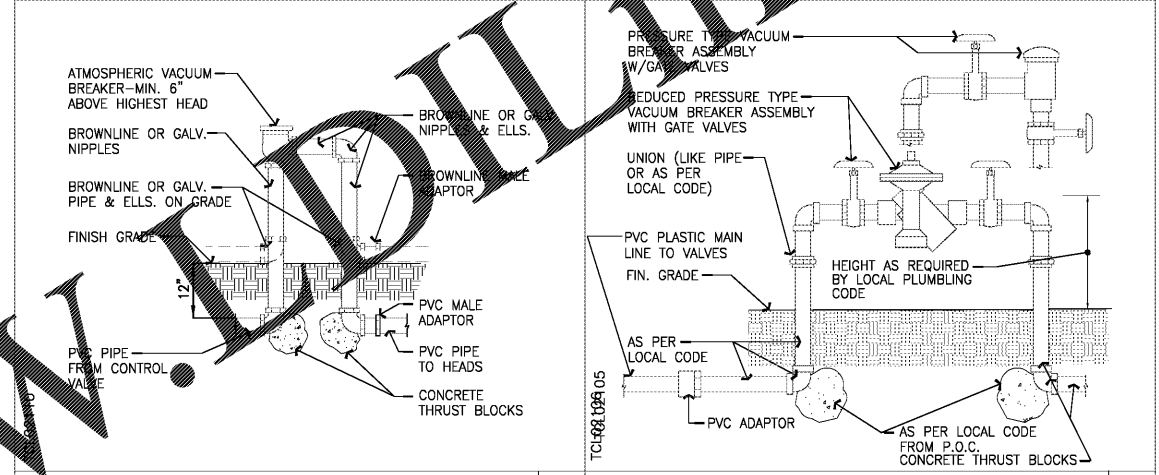


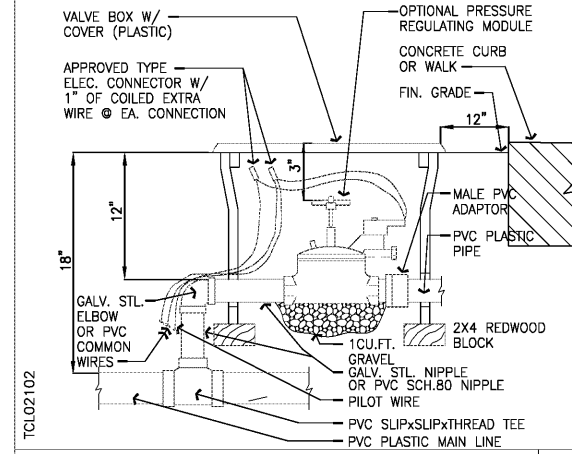
A IRRIGATION CONCEPT PLAN
LI101 0' 10' 20' 40' 20.0'

IRRIGATION NOTES

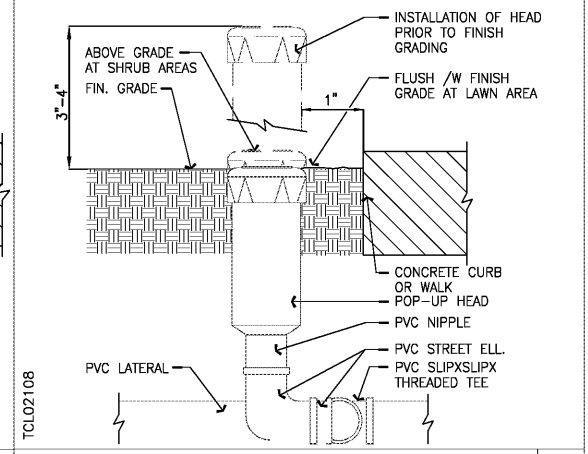
1. IRRIGATION CONTRACTOR SHALL COORDINATE WITH PAVING CONTRACTOR ON THE TIMING OF THE INSTALLATION OF SLEEVES UNDER PAVED AREAS. INSTALLATION OF SLEEVES IS RESPONSIBILITY OF IRRIGATION CONTRACTOR.
2. SYSTEM SHALL BE DESIGNED AND INSTALLED TO MEET THE CRITERIA OUTLINED IN THE PERFORMANCE SPEC.
3. SYSTEM ONCE OPERATIONAL SHALL BE CAPABLE OF APPLYING 1" OF WATER PER WEEK TO ALL LANDSCAPE AREAS.
4. IN ADJUSTING THE TIME CLOCK ON THE IRRIGATION CONTROLLER, THE IRRIGATION CONTRACTOR SHALL BE AWARE THAT TRAPPED WATER BETWEEN WALKS AND THE BUILDINGS FOUNDATION IS A CONCERN. THEREFORE, THE SPRINKLER ZONES RESPONSIBLE FOR IRRIGATING THESE AREAS SHALL BE SET TO AVOID SUCH A SITUATION.
5. IRRIGATION CONTRACTOR SHALL COORDINATE BACKFLOW PREVENTER LOCATION. LOCATION SHALL MEET THE FOLLOWING CRITERIA:
- BACKFLOW PREVENTER SHALL BE INSTALLED AT THE DISTANCE ABOVE THE HIGHEST SPRINKLER HEAD AS REQUIRED BY LOCAL CODES.
6. SYSTEM TO BE DESIGNED TO AVOID SPRAYING WATER ON BUILDING OR ACROSS WALKS.
7. PROPOSED HEAD LAYOUT AND SYSTEM ROUTING SHALL BE SUBMITTED TO OWNER FOR APPROVAL PRIOR TO COMMENCING WORK.
8. BACKFLOW PREVENTOR SHALL BE ENCLOSED IN A LOCKABLE COVER DEVICE.
9. ALL IRRIGATION SHALL BE BASE BID.
10. CONTRACTOR SHALL COORDINATE LOCATION FOR IRRIGATION CONTROLLER WITH OWNER.



ATMOSPHERIC VAC BREAKER N.T.S. 2 RP/PRESSURE VAC. BRKR. N.T.S. 1



REMOTE CONTROL VALVE N.T.S. 3



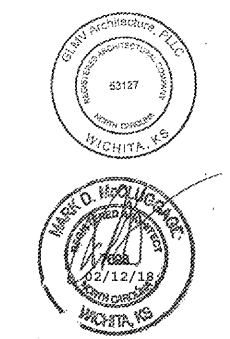
SPRAY HEADS N.T.S. 4

IRRIGATION LEGEND

- SHRUB BED TO BE IRRIGATED (IN-LINE DRIP TUBING)
- TURF AREA TO BE IRRIGATED (SPRAY/ROTOR HEADS)

CONTRACTOR SHALL DETERMINE CONNECTION POINT TO DOMESTIC FOR IRRIGATION SUPPLY. PROVIDE SEPARATE 3/4" METER FOR IRRIGATION SYSTEM.

IRRIGATION CONTRACTOR SHALL INSTALL 3" SCH40 PVC SLEEVES FOR ALL LINES RUNNING BENEATH PAVEMENT



12144.400
 ELECTRICAL COMMENTS 11/17/17
 BUILDING COMMENTS 12/1/17
 2nd BUILDING COMMENTS 1/15/18
 CONTRACT DATE: 10.2.17
 BUILDING TYPE: EXP. LITE MED40
 PLAN VERSION: DECEMBER 2016
 SITE NUMBER: 311687
 STORE NUMBER: 436563

TACO BELL
 3923 SHAKEDOWN ST.
 CHARLOTTE, NC



IRRIGATION CONCEPT PLAN

LI101