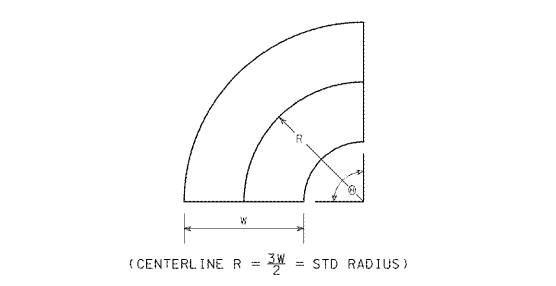
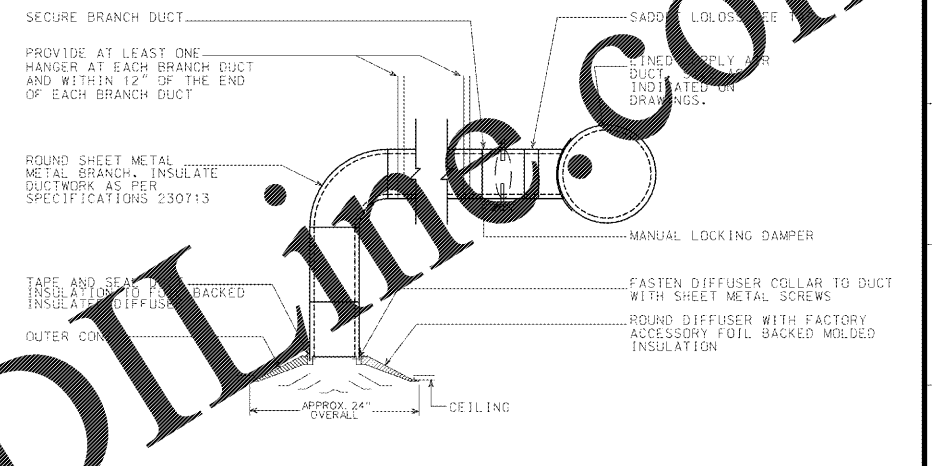


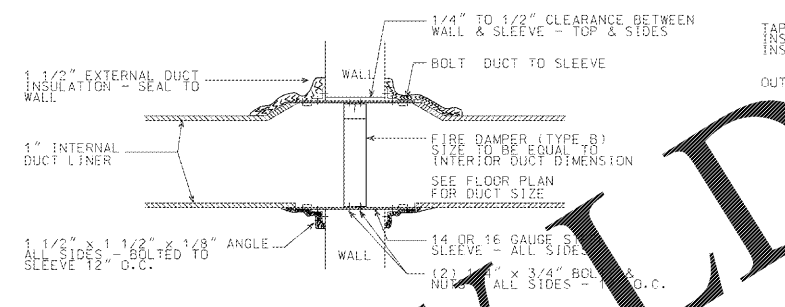
**DETAIL - CENTRIFUGAL ROOF EXHAUST FAN** (F7) M501 No Scale



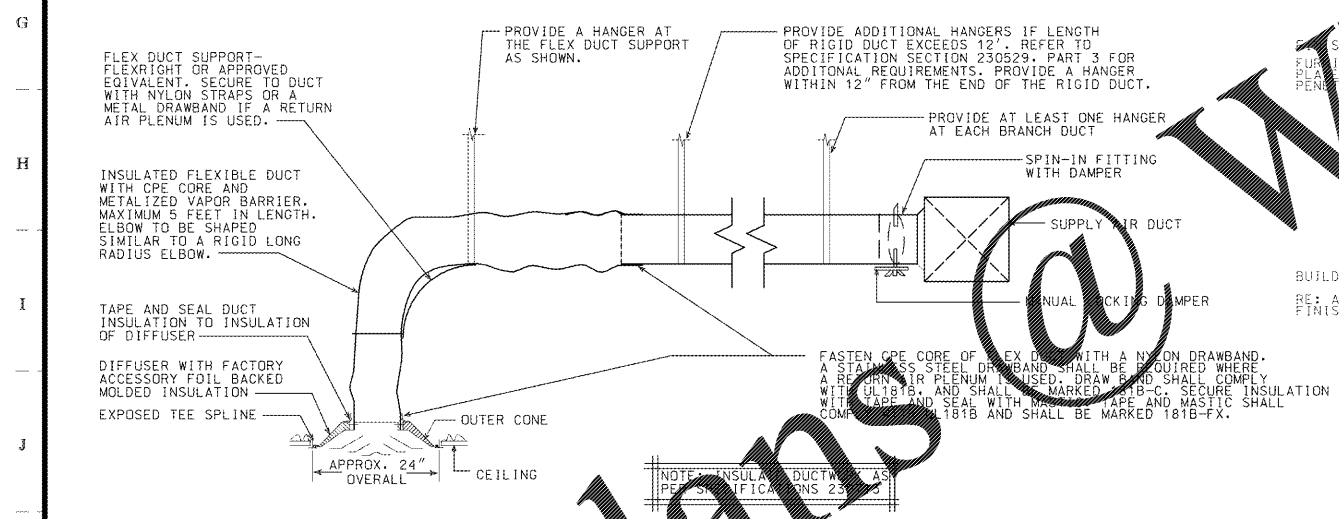
**DETAIL- 90 DEG. ELBOW (ROUND)** (C13) M501 No Scale



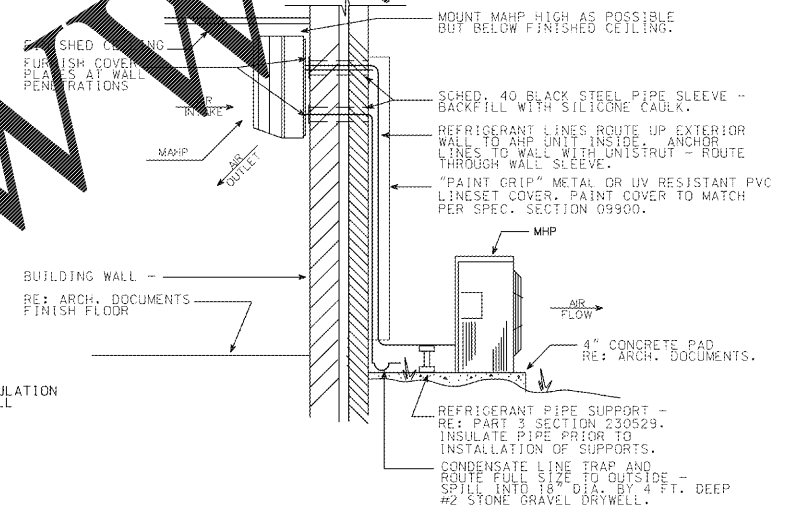
**DETAIL- RETURN GRILLE CONNECTION** (E19) M501 No Scale



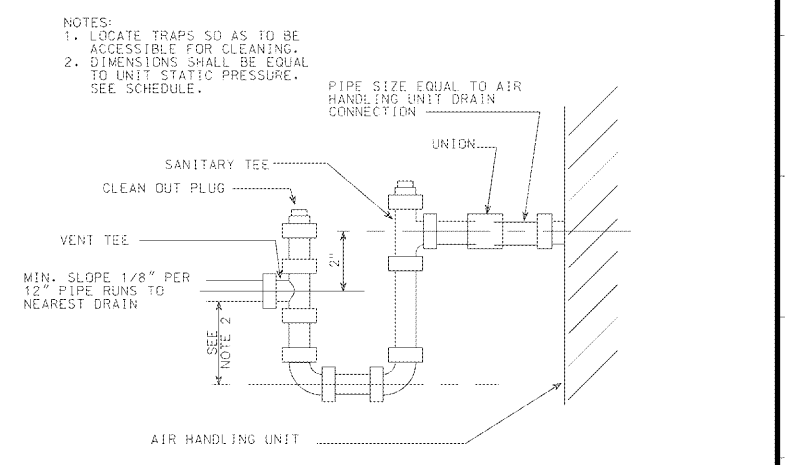
**DETAIL - FIRE DAMPER FOR INTERIOR INSULATION** (F14) M501 No Scale



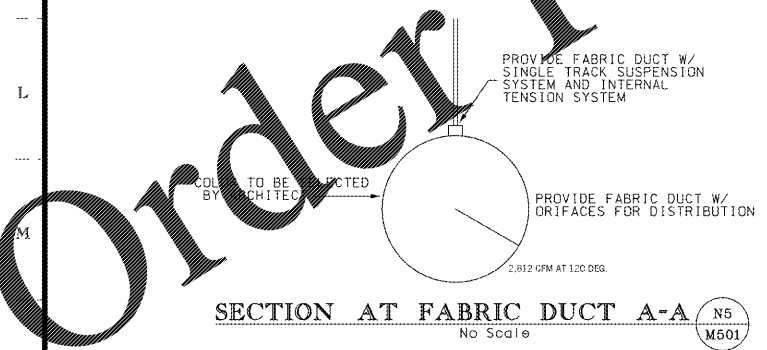
**DETAIL - DUCT CONNECTION** (K6) M501 No Scale



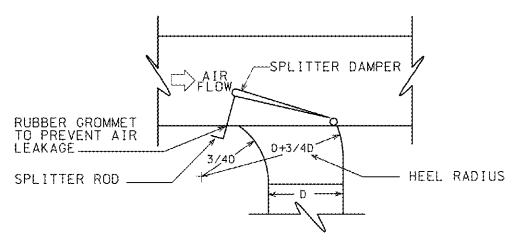
**DETAIL- MINI-SPLIT WALL INSTALLATION** (K14) M501 No Scale



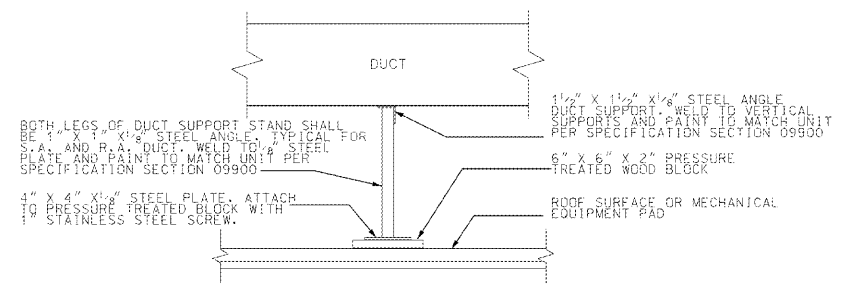
**DETAIL- CONDENSATE DRAIN P-TRAP** (K20) M501 No Scale



**SECTION AT FABRIC DUCT A-A** (N5) M501 No Scale



**DETAIL - BRANCH TAKEOFF** (N10) M501 No Scale



**DETAIL - DUCT SUPPORT STAND** (N15) M501 No Scale

**Southern A&E** REVISION  
 7951 Iron Circle  
 Austell, Ga. 30168  
 (770) 819-7777  
 architects & engineers  
 DATE February 28, 2018  
 JOB NUMBER 01-647-061  
 FACILITY CODE NUMBER: 66-1050  
 RENOVATIONS TO:  
**BELWOOD ELEMENTARY SCHOOL**  
 GORDON COUNTY BOARD OF EDUCATION  
 CALHOUN, GEORGIA  
 DRAWING NUMBER  
**M501**

Order Plans

WWW.LDLINE.COM