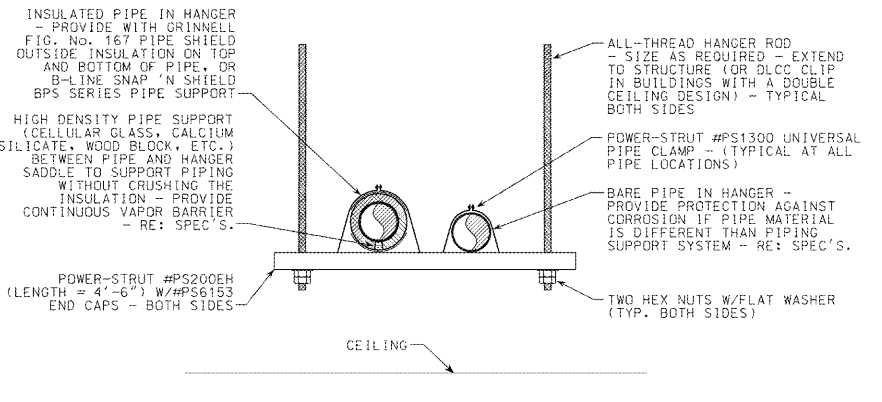


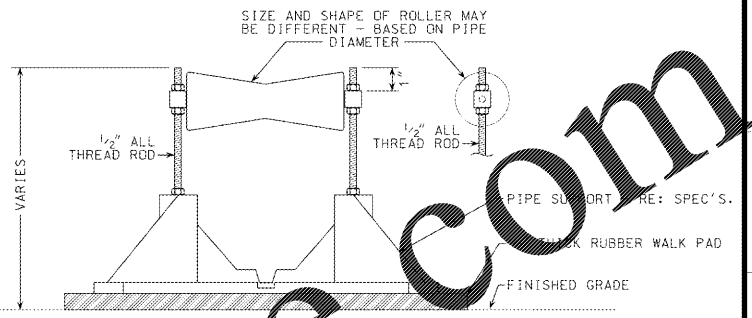
PIPE HANGER DETAIL (D5) P501
SCALE: NONE



TRAPEZE PIPE HANGER DETAIL (D12) P501
SCALE: NONE

PIPE SUPPORT SPACING SCHEDULE

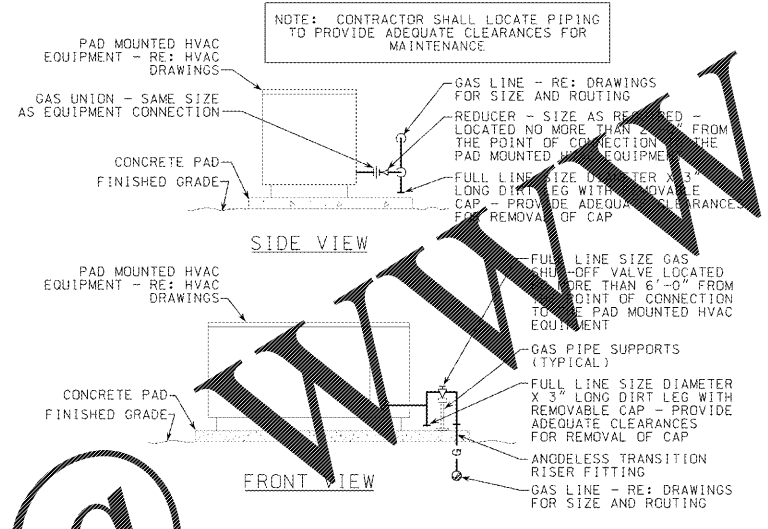
PIPE SIZE	PIPE SUPPORT SPACING
3/4"	6'-0"
1"	6'-0"
1 1/2"	8'-0"
1 1/2"	10'-0"
2"	10'-0"
2 1/2"	10'-0"
3"	10'-0"
4"	12'-0"



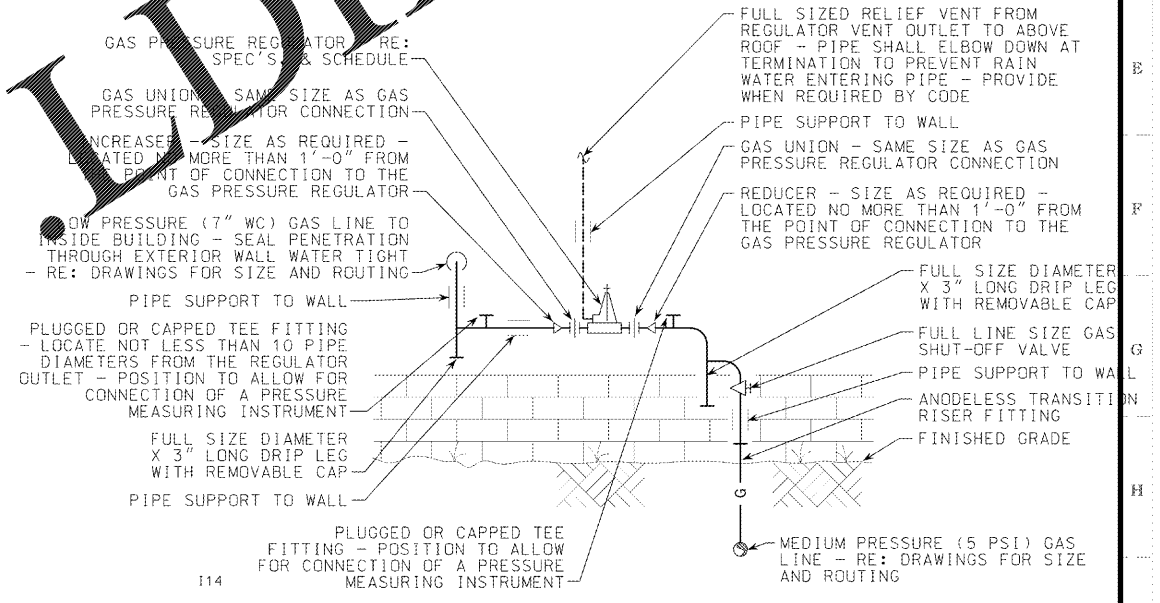
ROOF PIPING SUPPORT DETAIL (C19) P501
SCALE: NONE

MINIMUM PLUMBING FIXTURE CONNECTION SCHEDULE

MARK	DESCRIPTION	C.W.	H.W.	WASTE
WC-1	WATER CLOSET - CHILD	1"	---	4"
WC-2	WATER CLOSET - ADULT	1"	---	4"
UR-1	URINAL - CHILD STANDARD	3/4"	---	2"
UR-2	URINAL - CHILD HANDICAPPED	3/4"	---	2"
LAV-1	WALL HUNG LAVATORY - CHILD	1/2"	---	1 1/4"
LAV-2	WALL HUNG LAVATORY CHILD	1/2"	1/2"	1 1/4"
LAV-3	WALL HUNG LAVATORY - ADULT HANDICAPPED	1/2"	1/2"	1 1/4"
DCS-1	DOUBLE COMPARTMENT SINK - HANDICAPPED	1/2"	1/2"	1 1/4"
EDF-1	ELECTRIC DRINKING FOUNTAIN - CHILD STANDARD	1/2"	---	1 1/4"
EDF-2	ELECTRIC DRINKING FOUNTAIN - CHILD HANDICAPPED	1/2"	---	1 1/4"
FCO-1	FLOOR CLEANDUT - INTERIOR LOCATIONS	---	---	3"
WCO-1	WALL CLEANDUT - SANITARY	---	---	3"
FD-1	FLOOR DRAIN - GENERAL LOCATIONS	---	---	3"



GAS CONNECTION DETAIL (I11) P501
SCALE: NONE



GAS PRESSURE REGULATOR DETAIL (J19) P501
SCALE: NONE

GAS PRESSURE REGULATOR SCHEDULE

GPR No.	REGULATOR	DESCRIPTION	ESTIMATED LOADS (BTUH)	GAS TYPE	ORIFICE SIZE	VALVE ANGLE	INLET SIZE	OUTLET SIZE	VENT SIZE	SPRING COLOR	PRESSURE		
											MAX. INLET (PSI)	MIN. INLET (PSI)	OUTLET (W.C.)
1	SENSUS MODEL NO. 143-80-2		250,000	NATURAL	1/4"	---	3/4"	3/4"	1"	GREEN	5.0	2.0	7"

NOTES:

- ALL GAS PRESSURE REGULATORS SHALL BE PERMANENTLY TAGGED WITH THE FOLLOWING INFORMATION: MANUFACTURER, MODEL No., ORIFICE SIZE, GAS LOAD, INLET PRESSURE, AND OUTLET PRESSURE.
- SUBMIT CUTSHEETS IN THE PLUMBING EQUIPMENT SUBMITTALS FOR ALL GAS PRESSURE REGULATORS. CLEARLY INDICATE WHICH REGULATOR IS BEING PROPOSED FOR USE FOR EACH REGULATOR SPECIFIED.
- ALL REGULATORS SHALL BE PROVIDED WITH A MAX. GUTLET PRESSURE VARIANCE OF 1" W.C. DROOP TO 2" W.C. BOOST.
- POSITION ALL REGULATORS SUCH THAT RAINWATER CANNOT ENTER INTO VENT OPENING.

Order Plans @

Southern A&E ARCHITECTS & ENGINEERS
7951 Iron Circle, Austell, Ga. 30168
(770) 819-7777

REVISION
DATE: February 28, 2018
JOB NUMBER: 01-647-061

FACILITY CODE NUMBER: 664-1050
RENOVATIONS TO:
BELWOOD ELEMENTARY SCHOOL
GORDON COUNTY BOARD OF EDUCATION
CALHOUN, GEORGIA

DRAWING NUMBER: P501

REGISTERED ARCHITECT: MICHAEL C. WALDRUP