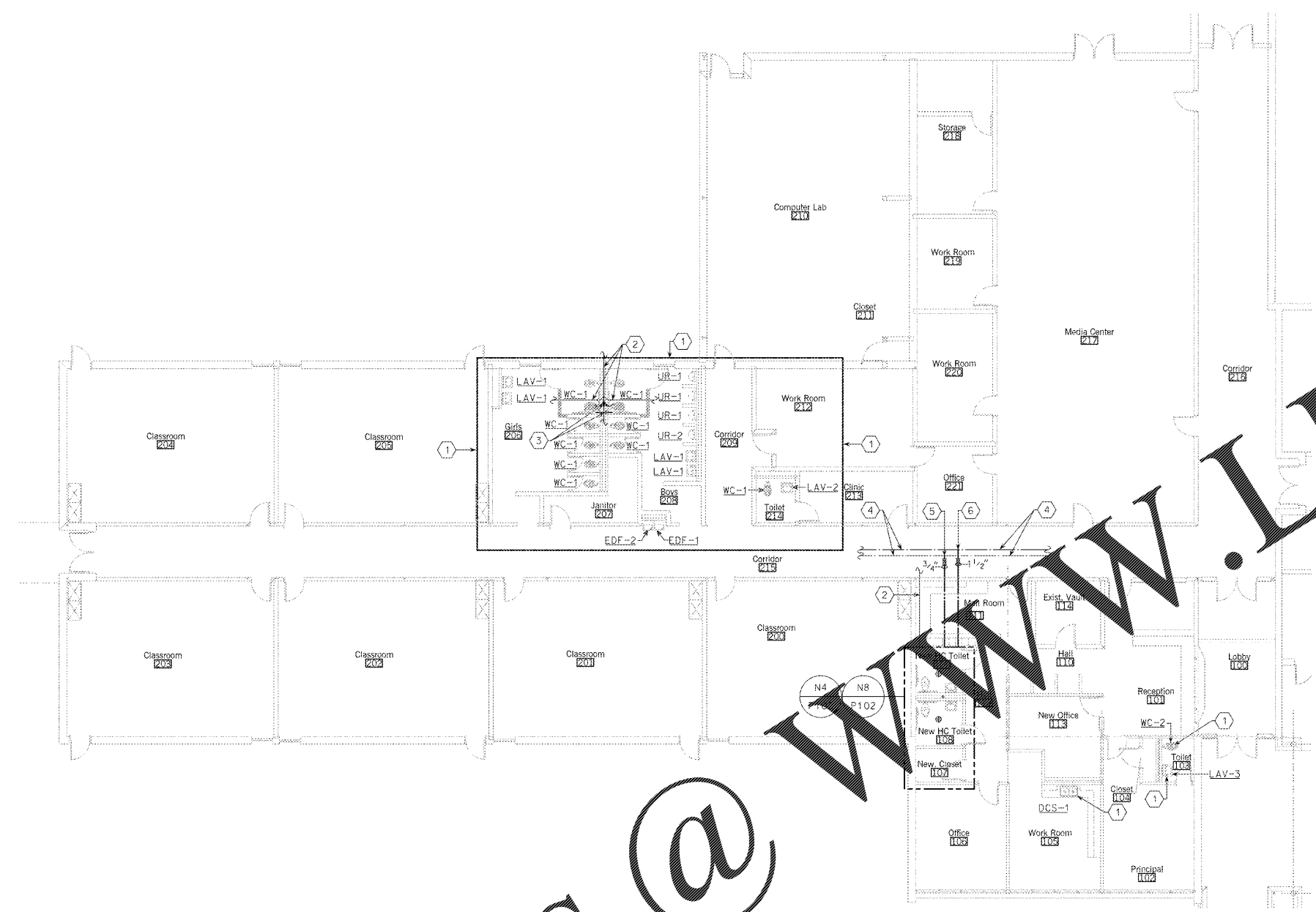


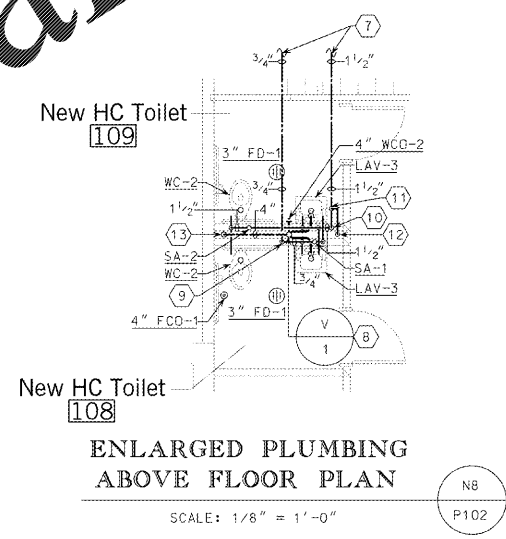
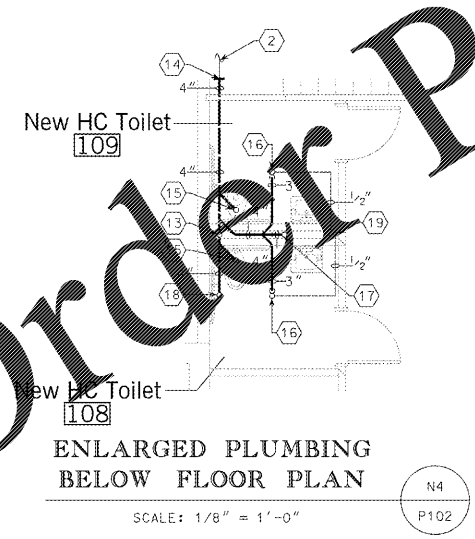
1 2 3 4 5 6 7 8 9 10 11 12 13 14 15 16 17 18 19 20

A
B
C
D
E
F
G
H
I
J
K
L
M
N



- SPECIFIC PLUMBING PLAN NOTES:**
- 1 REPLACE EXISTING PLUMBING FIXTURES AND ASSOCIATED PIPING WITH NEW. FIELD VERIFY EXACT LOCATION AND MOUNTING HEIGHT OF EXISTING FIXTURES--RE: SPEC'S. AND SCHEDULES
 - 2 EXISTING SANITARY WASTE LINE BELOW FLOOR--FIELD VERIFY EXACT LOCATION OF EXISTING.
 - 3 CONNECT NEW 4" SANITARY WASTE LINE TO EXISTING 4" SANITARY WASTE LINE BELOW FLOOR. CONNECT 1" W.W. STUBOUT FOR WATER CLOSET TO C.W. LINE. FIELD VERIFY EXACT LOCATION OF EXISTING.
 - 4 EXISTING C.W. AND H.W. LINE ABOVE CEILING. FIELD VERIFY EXACT LOCATION AND SIZE OF EXISTING.
 - 5 CONNECT NEW 3/4" H.W. TO EXISTING 1" H.W. LINE ABOVE CEILING--FIELD VERIFY EXACT LOCATION AND SIZE OF EXISTING.
 - 6 CONNECT NEW 1" C.W. LINE TO EXISTING 2 1/2" C.W. LINE ABOVE CEILING--FIELD VERIFY EXACT LOCATION AND SIZE OF EXISTING.
 - 7 NEW 3/4" H.W. AND 1" C.W. LINES ABOVE CEILING--RE: SPEC'S. CONTINUATION.
 - 8 4" SAN. WASTE DOWN AND 4" SAN. VENT UP TO 4" V.T.R.
 - 9 3/4" H.W. LINE DOWN.
 - 10 1 1/2" C.W. LINE DOWN.
 - 11 ROSE 1/2" C.W. LINE TO TOP OF C.W. LINE.
 - 12 DROP 1/2" C.W. INTO TOP OF TRAP SEAL PRIMER VALVE AND DISTRIBUTION UNIT - RE: SPEC'S. - PROVIDE ONE (1) VALVE AND DISTRIBUTION UNIT TO PROVIDE TRAP SEAL PROTECTION TO TWO (2) TRAPS - LOCATE VALVE AND DISTRIBUTION UNIT ABOVE CEILING LEVEL AND DROP TWO (2) 1/2" TRAP PRIMER LINES DOWN TO BELOW FLOOR.
 - 13 4" SAN. VENT LINE UP.
 - 14 CONNECT NEW 4" SANITARY WASTE LINE TO EXISTING 4" SANITARY WASTE LINE BELOW FLOOR--FIELD VERIFY EXACT LOCATION AND DIRECTION OF FLOW OF EXISTING.
 - 15 4" SAN. WASTE DOWN FROM WATER CLOSET.
 - 16 3" SAN. WASTE DOWN FROM FLOOR DRAIN.
 - 17 4" SAN. WASTE DOWN.
 - 18 4" SAN. WASTE DOWN FROM FLOOR CLEANOUT.
 - 19 1/2" TRAP PRIMER LINES DOWN.

PLUMBING RENOVATION FLOOR PLAN - WING "A"
 SCALE: 1/8" = 1'-0"
 J11 P102



Southern AE REGISTERED ARCHITECTS & ENGINEERS
 7951 Iron Circle
 Austell, Ga. 30168
 (770) 819-7777

REVISION
 DATE February 28, 2018
 JOB NUMBER 01-647-061

FACILITY CODE NUMBER: 664-1050
 RENOVATIONS TO:
BELWOOD ELEMENTARY SCHOOL
 GORDON COUNTY BOARD OF EDUCATION
 CALHOUN, GEORGIA

DRAWING NUMBER
P102

STATE OF GEORGIA REGISTERED ARCHITECT
 STATE OF GEORGIA REGISTERED ENGINEER
 MICHAEL C. WALDRUP

Order Plans @ www.lidline.com