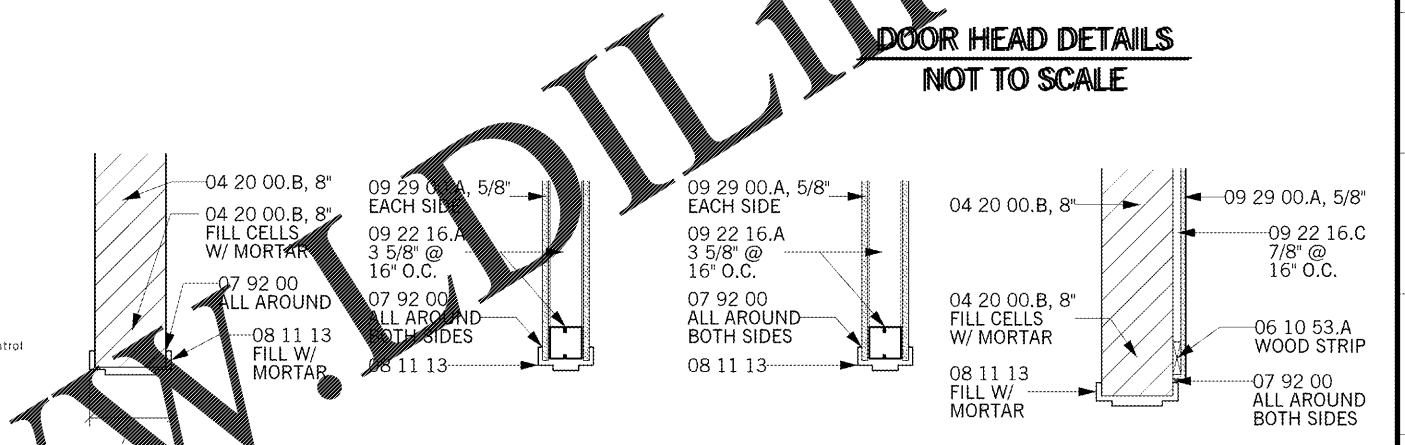
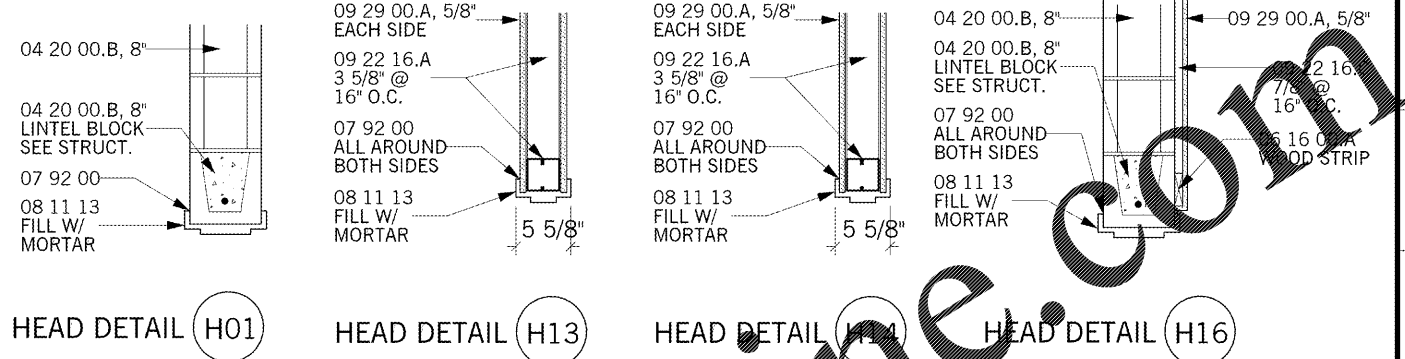


DOOR & FRAME SCHEDULE

FRAME DESCRIPTION										DOOR DESCRIPTION					REMARKS				
NO.	ELV	MATERIAL	JAMB WID	HEAD HGT	RTD FRM	DETAILS	THRESHOLD	SIGNAGE	STOPS	ELV	MATERIAL	SIZE	RATING	GRILLE					
WING - "D"																			
100a	AL03	Aluminum	5 7/8"	9'-0"							ALUMINUM	---	---	---	---	---	---	---	---
100b	AL02	Aluminum	5 7/8"	9'-0"							---	---	---	---	---	---	---	---	---
101a	F-4	HOLLOW METAL	6 3/4"	7'-4"		H-1 J-17					---	---	---	---	---	---	---	---	---
102a	Exist.	---	6 3/4"	---							---	---	---	---	---	---	---	---	---
103a	Exist.	---	6 3/4"	---							---	---	---	---	---	---	---	---	---
104a	Exist.	---	---	---							---	---	---	---	---	---	---	---	---
106a	Exist.	---	---	---							---	---	---	---	---	---	---	---	---
107a	F-1	HOLLOW METAL	5 7/8"	7'-4"	X	H-14 J-29					---	---	---	---	---	---	---	---	---
108a	F-1	HOLLOW METAL	5 7/8"	7'-4"		H-14 J-29					---	---	---	---	---	---	---	---	---
109a	F-1	HOLLOW METAL	5 7/8"	7'-4"		H-14 J-29					---	---	---	---	---	---	---	---	---
111a	Exist.	---	---	---							---	---	---	---	---	---	---	---	---
113a	F-05	Hollow-Metal	---	7'-4"	F-05	H-14 J-29					---	---	---	---	---	---	---	---	---
114a	F-1	HOLLOW METAL	8 3/4"	7'-4"	X	H-1 J-6					---	---	---	---	---	---	---	---	---
200a	Exist.	---	---	---							---	---	---	---	---	---	---	---	---
201a	Exist.	---	---	---							---	---	---	---	---	---	---	---	---
202a	Exist.	---	---	---							---	---	---	---	---	---	---	---	---
203a	Exist.	---	---	---							---	---	---	---	---	---	---	---	---
204a	Exist.	---	---	---							---	---	---	---	---	---	---	---	---
205a	Exist.	---	---	---							---	---	---	---	---	---	---	---	---
206a	Exist.	---	---	---							---	---	---	---	---	---	---	---	---
206b	Exist.	---	---	---							---	---	---	---	---	---	---	---	---
206c	Exist.	---	---	---							---	---	---	---	---	---	---	---	---
206d	Exist.	---	---	---							---	---	---	---	---	---	---	---	---
206e	Exist.	---	---	---							---	---	---	---	---	---	---	---	---
207a	Exist.	---	---	---							---	---	---	---	---	---	---	---	---
208a	Exist.	---	---	---							---	---	---	---	---	---	---	---	---
208b	Exist.	---	---	---							---	---	---	---	---	---	---	---	---
208c	Exist.	---	---	---							---	---	---	---	---	---	---	---	---
212a	Exist.	---	---	---							---	---	---	---	---	---	---	---	---
213a	Exist.	---	---	---							---	---	---	---	---	---	---	---	---
215a	Exist.	---	---	---							---	---	---	---	---	---	---	---	---
217a	Exist.	---	---	---							---	---	---	---	---	---	---	---	---
217b	Exist.	---	---	---							---	---	---	---	---	---	---	---	---
218a	Exist.	---	---	---							---	---	---	---	---	---	---	---	---
218b	Exist.	---	---	---							---	---	---	---	---	---	---	---	---
219a	Exist.	---	---	---							---	---	---	---	---	---	---	---	---
220a	Exist.	---	---	---							---	---	---	---	---	---	---	---	---
221a	Exist.	---	---	---							---	---	---	---	---	---	---	---	---

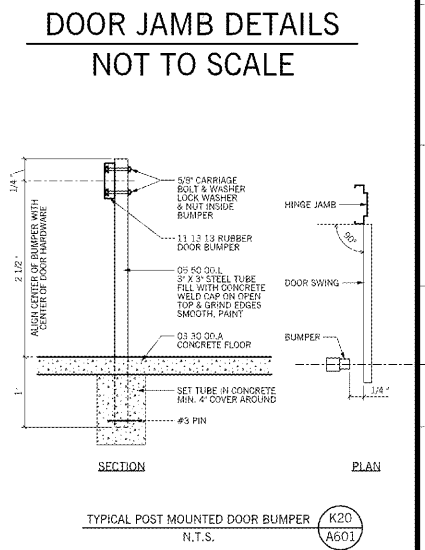
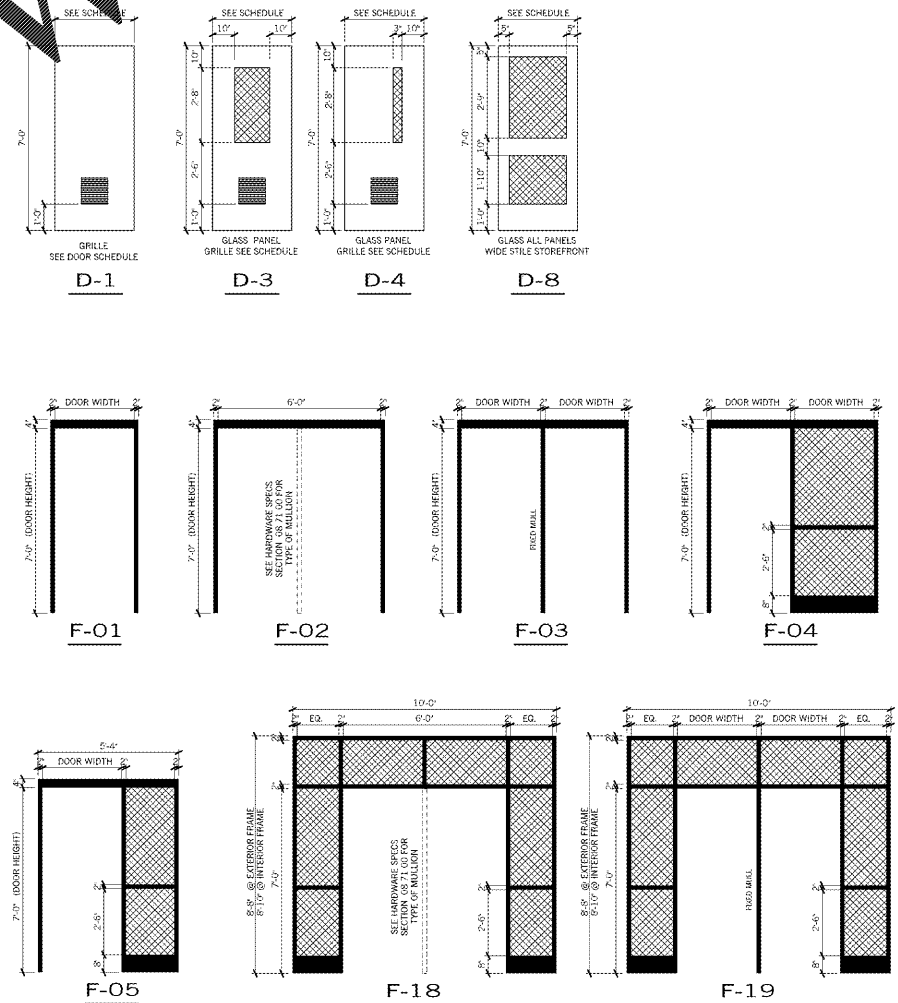
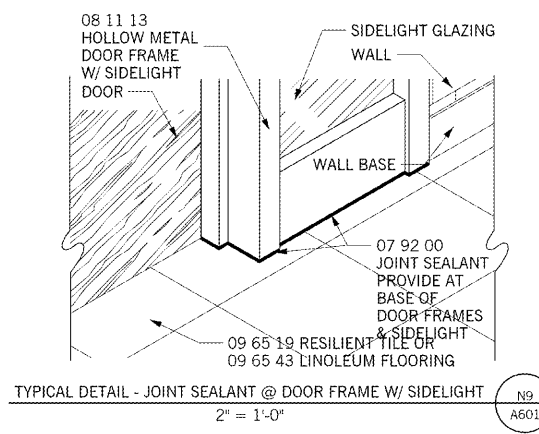
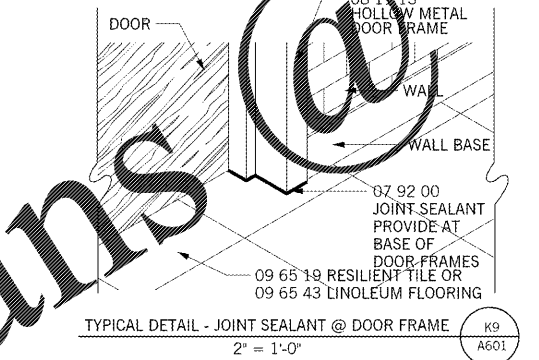
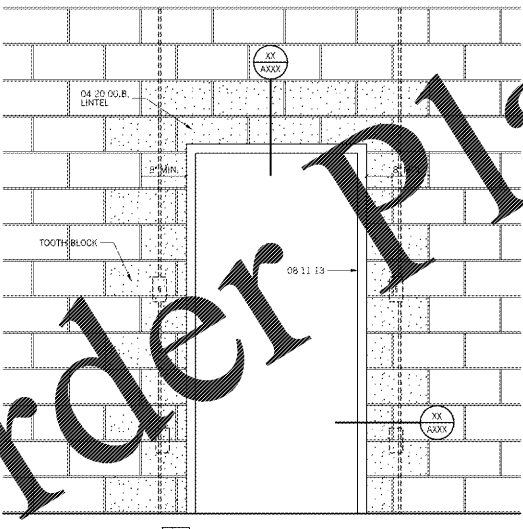


NOTES TO DOOR & FRAME SCHEDULE:

- SEE DRAWING A601 FOR DOOR & DOOR FRAME ELEVATIONS.
- SEE DRAWING A601 FOR HEAD AND JAMB DETAILS.
- SEE SECTIONS J10 & N10/A603 FOR DOOR BUMPERS DETAILS.
- SEE DRAWING A601 FOR SIGNAGE DETAILS.
- PROVIDE WELDED HOLLOW METAL FRAMES FOR OPENINGS IN NEW MASONRY CONCRETE WALLS.
- COORDINATE WITH MECHANICAL DRAWINGS FOR LOCATIONS AND SIZES OF MECHANICAL DOOR LOUVERS.
- PROVIDE GALVANIZED STEEL DOORS, PANELS & FRAMES AT ALL EXTERIOR DOOR LOCATIONS.

NOTES TO DOOR GLAZING:

- FOR GLAZING SPECIFICATIONS REFER TO PROJECT MANUAL SECTION 08800 GLAZING.
- PROVIDE 1/4" TEMPERED GLASS IN ALL INTERIOR NON-RATED DOORS AND DOOR FRAMES WITH GLASS PANELS.
- PROVIDE 1" TEMPERED INSULATED LOW 'E' GLASS IN ALL EXTERIOR NON-RATED DOORS AND DOOR FRAMES WITH GLASS PANELS.



Southern A&E REVISIONS
 7951 Iron Circle
 Austell, Ga. 30168
 (770) 819-7777
 architects & engineers
 DATE: February 28, 2018
 JOB NUMBER: 01-847-061
 FACILITY CODE NUMBER: 664-1850
 RENOVATIONS TO:
BELWOOD ELEMENTARY SCHOOL
 GORDON COUNTY BOARD OF EDUCATION
 CALHOUN, GEORGIA
 DRAWING NUMBER: **A601**

Order Plans @

WWW.ArchLine.com