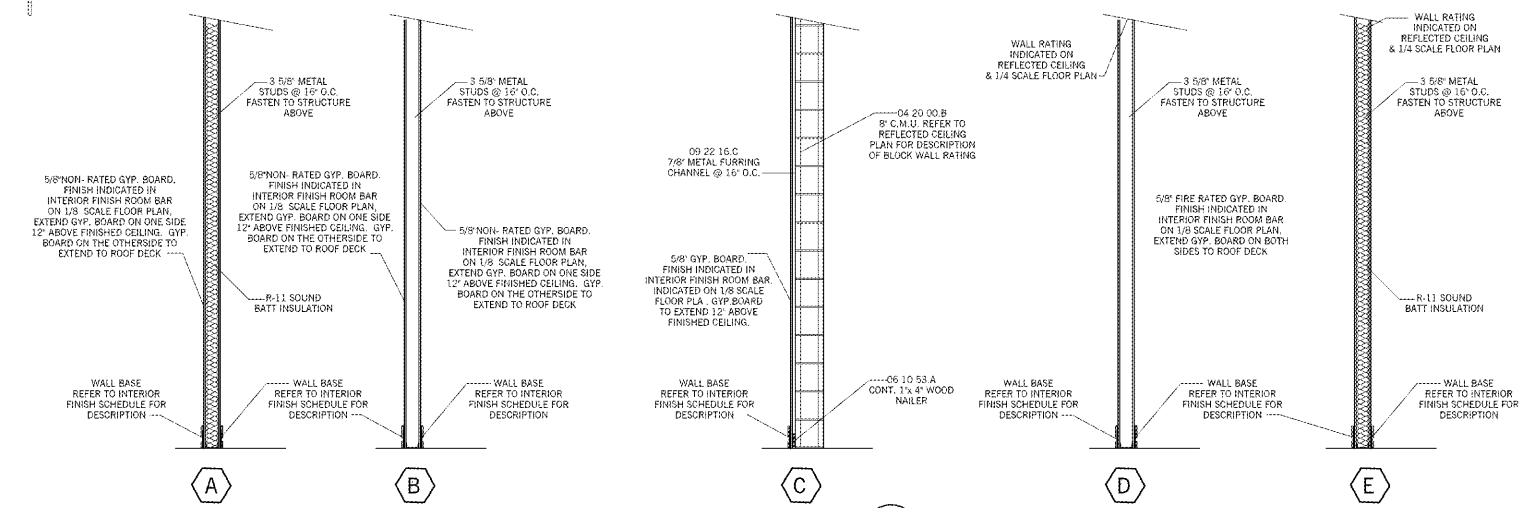
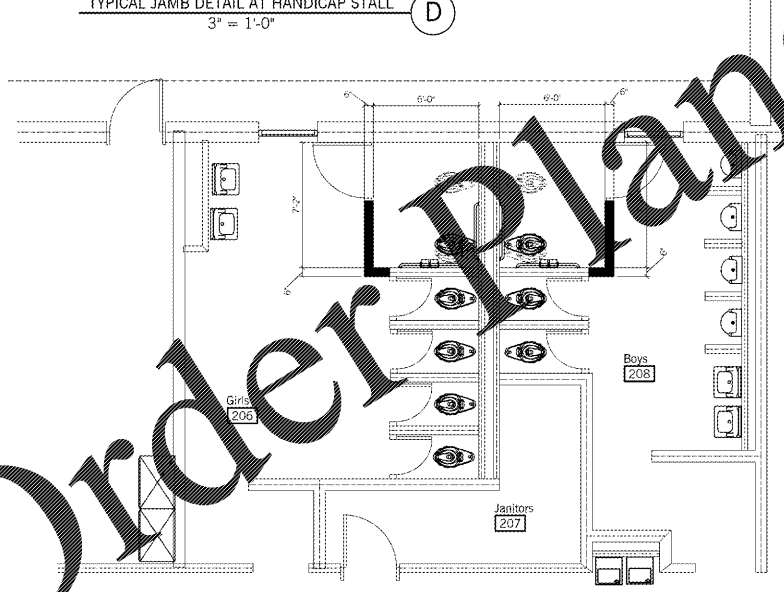
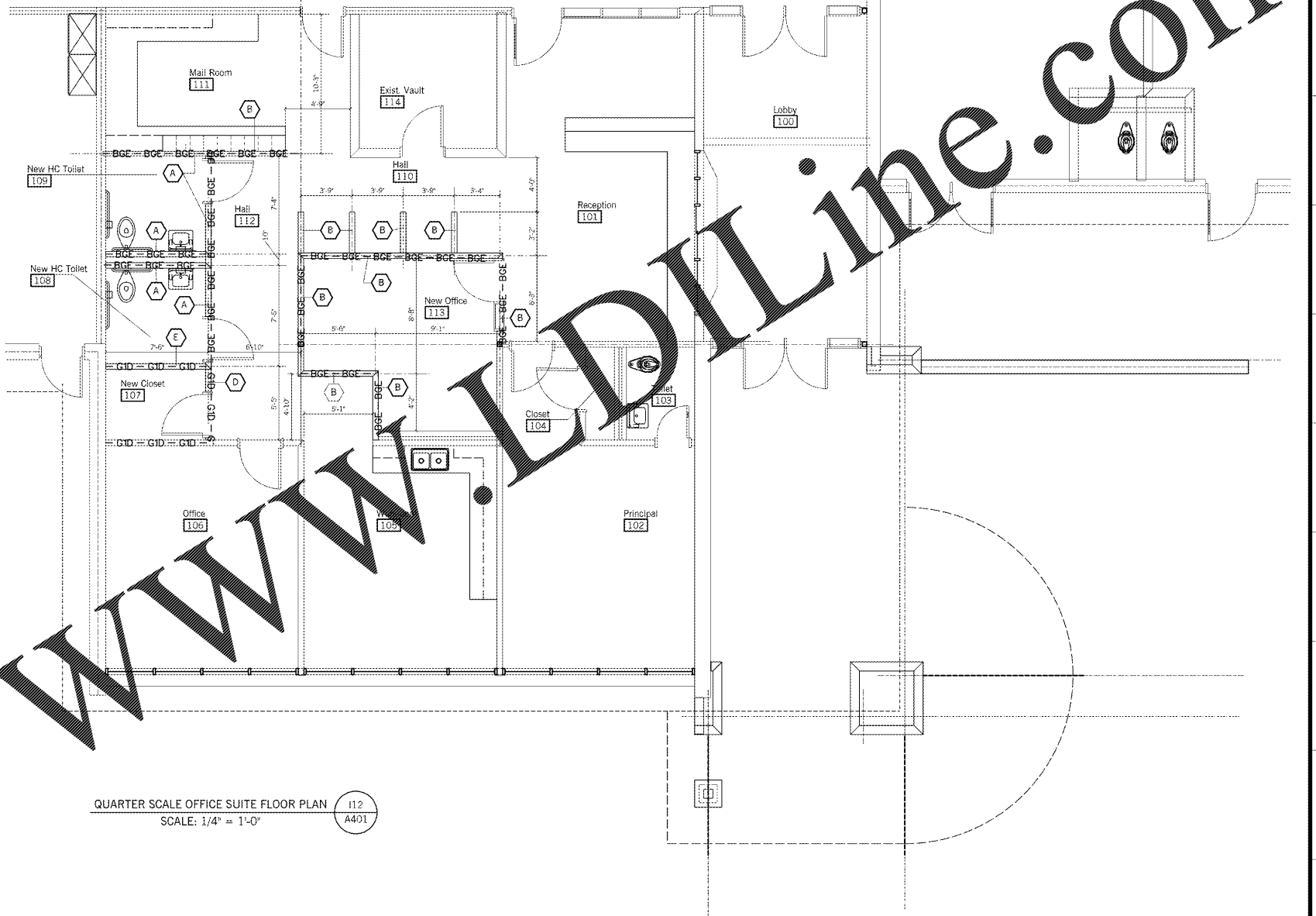
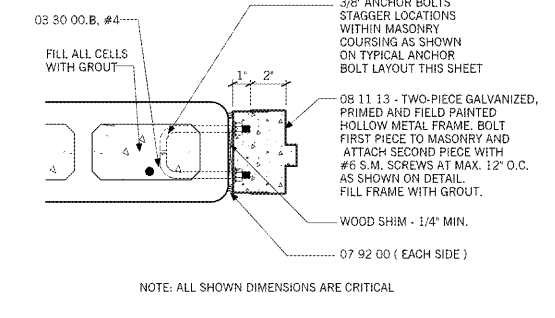
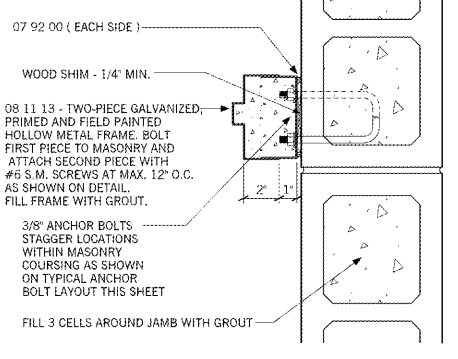
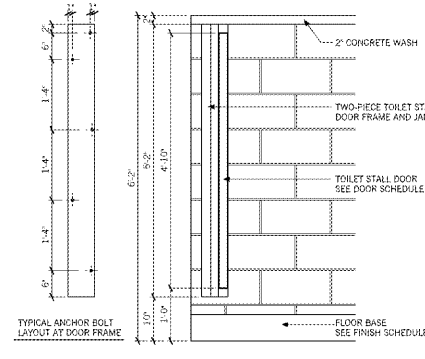
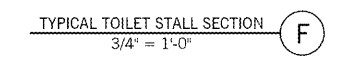
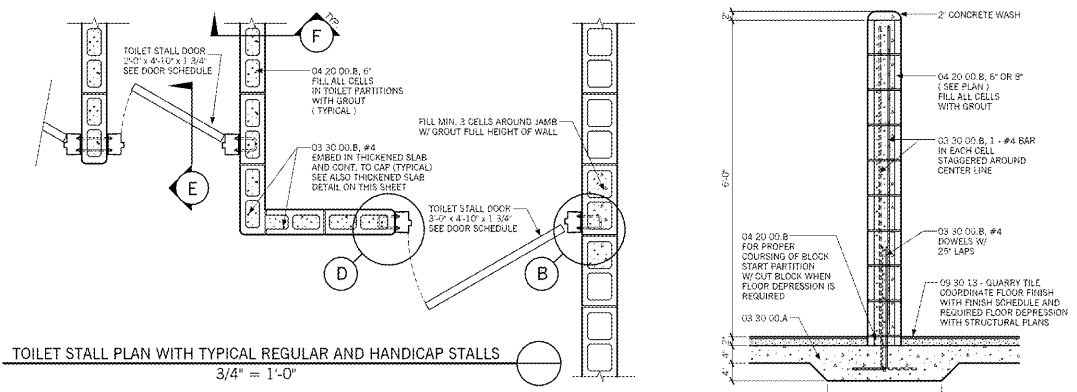


1 2 3 4 5 6 7 8 9 10 11 12 13 14 15 16 17 18 19 20



Southern A&E
 7951 Iron Circle
 Austell, Ga. 30168
 (770) 819-7777
 architects & engineers

REVISIONS TO:
BELWOOD ELEMENTARY SCHOOL
 GORDON COUNTY BOARD OF EDUCATION
 CALHOUN, GEORGIA

DATE: February 28, 2018
 JOB NUMBER: 01-847-061
 FACILITY CODE NUMBER: 664-1050

DRAWING NUMBER: **A401**

Order Plans @

WWW.LDLine.com