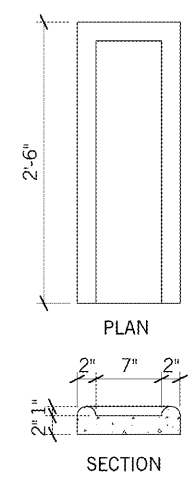
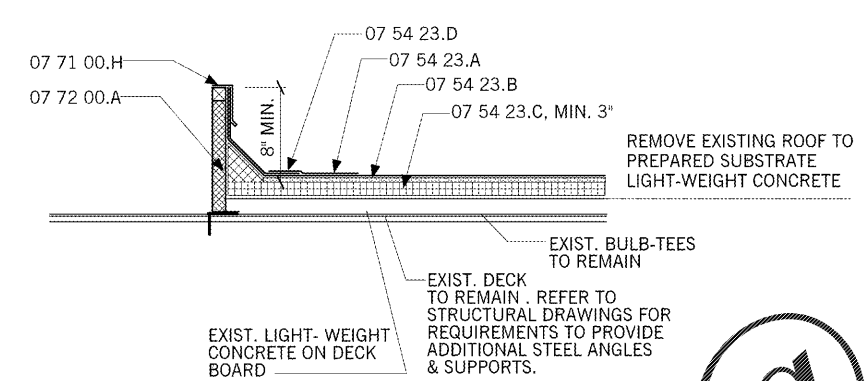
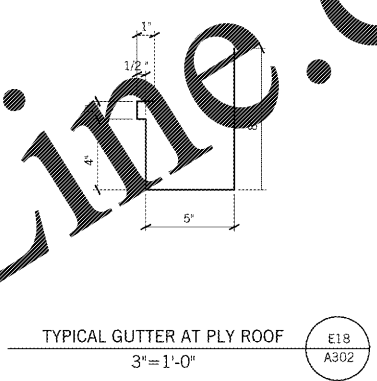


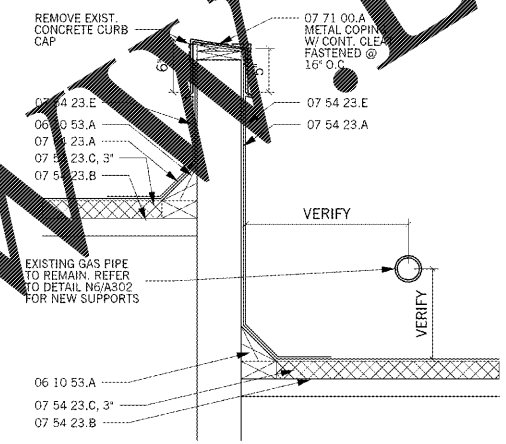
ROOF PIPING SUPPORT DETAIL E6 A302 SCALE: NONE



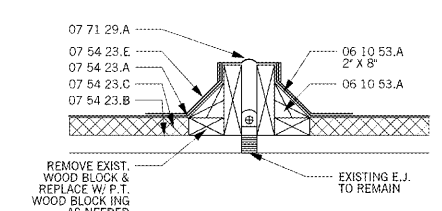
TYPICAL SPLASH BLOCK DETAIL E14 A302 1 1/2"=1'-0"



ROOF PIPING SUPPORT DETAIL I6 A302 SCALE: NONE

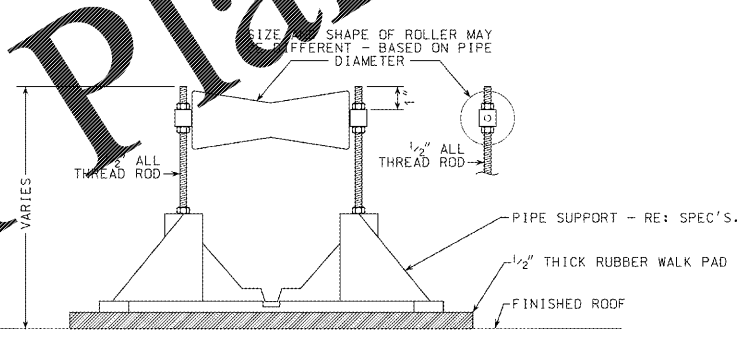


ROOF DETAIL I13 A302 1 1/2"=1'-0"

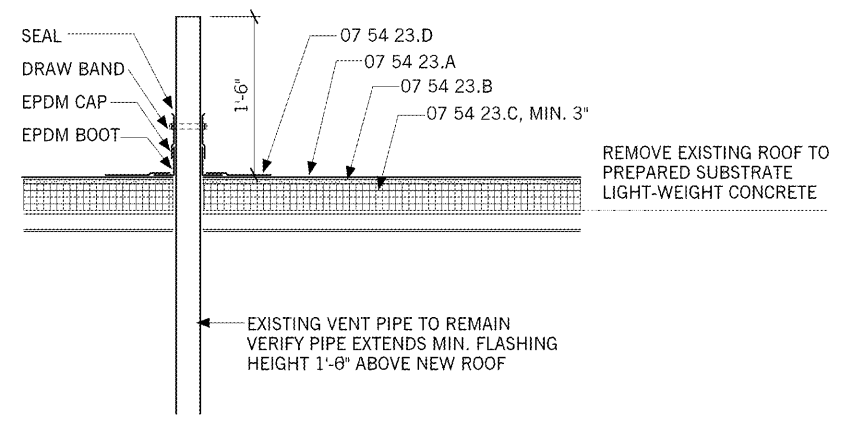


TYPICAL EXPANSION JOINT DETAIL I18 A302 1 1/2"=1'-0"

PIPE SUPPORT SPACING SCHEDULE	
PIPE SIZE	PIPE SUPPORT SPACING
3/4"	6'-0"
1"	7'-0"
1 1/4"	10'-0"
1 1/2"	10'-0"
2"	10'-0"
3"	12'-0"
4"	12'-0"



ROOF PIPING SUPPORT DETAIL N6 A302 SCALE: NONE



TYPICAL VENT THRU PLY ROOF N14 A302 1 1/2"=1'-0"

Southern A&E REVISIONS

7951 Iron Circle
Austell, Ga. 30168
(770) 819-7777

architects & engineers

DATE February 28, 2018

JOB NUMBER 01-547-061

FACILITY CODE NUMBER: 664-1850

RENOVATIONS TO:

BELWOOD ELEMENTARY SCHOOL

GORDON COUNTY BOARD OF EDUCATION
CALHOUN, GEORGIA

DRAWING NUMBER

A302

STATE OF GEORGIA
REGISTERED ARCHITECT

Order Plans @

WWW.LDILine.com