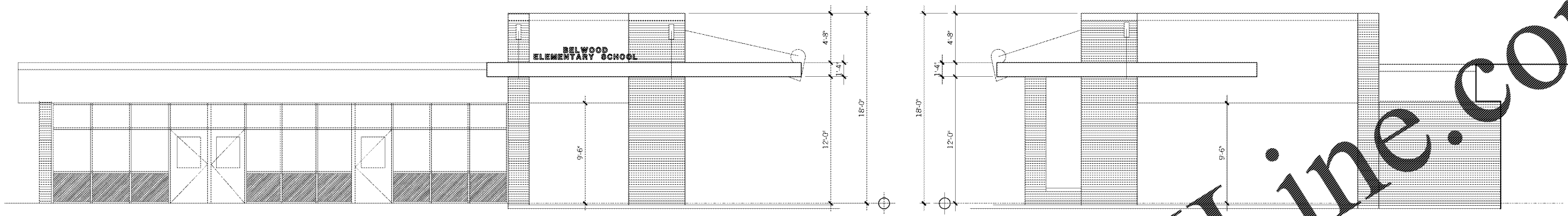


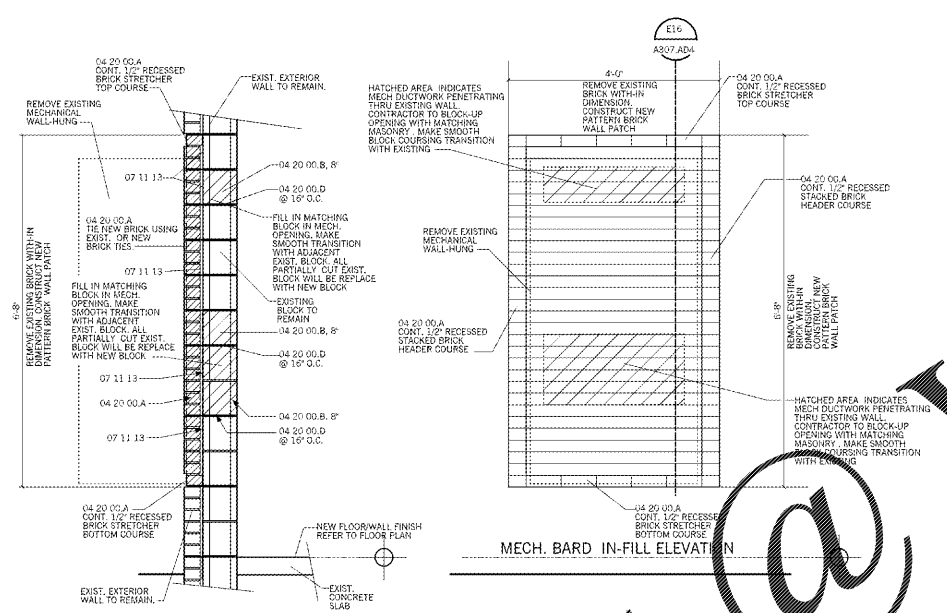
1 2 3 4 5 6 7 8 9 10 11 12 13 14 15 16 17 18 19 20

A
B
C
D
E
F
G
H
I
J
K
L
M
N



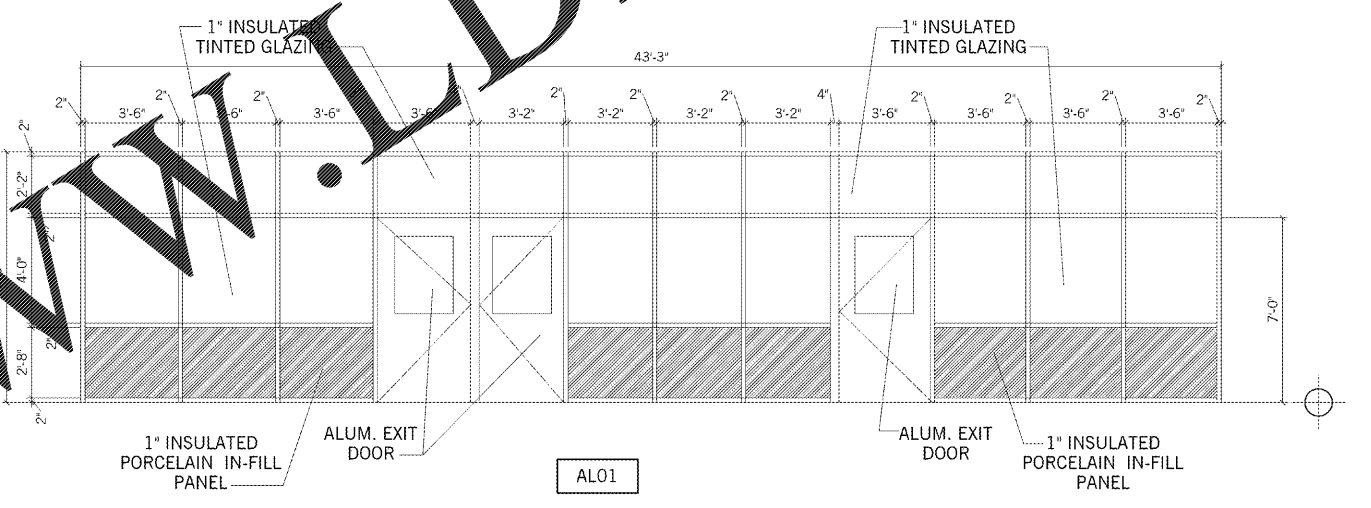
WEST VIEW MAIN ENTRY BUILDING ELEVATION (D5)
SCALE: 1/4" = 1'-0" (A201)

SOUTH VIEW MAIN ENTRY BUILDING ELEVATION (D16)
SCALE: 1/4" = 1'-0" (A201)



MECH. BARD IN-FILL SECTION (J4)
3/4" = 1'-0" (A201)

MECH. BARD IN-FILL ELEVATION (E16)



ALUMINUM STOREFRONT WINDOW ELEVATION (I17)
SCALE: 3/8" = 1'-0" (A201)

Order Plans @

Southern A&E 7951 Iron Circle Austell, Ga. 30168 (770) 819-7777 architects & engineers		REVISED DATE February 28, 2018 JOB NUMBER 01-547-061
FACILITY CODE NUMBER: 664-1050 RENOVATIONS TO: BELWOOD ELEMENTARY SCHOOL GORDON COUNTY BOARD OF EDUCATION CALHOUN, GEORGIA		
STATE OF GEORGIA L. J. [Signature] REGISTERED ARCHITECT		DRAWING NUMBER A201