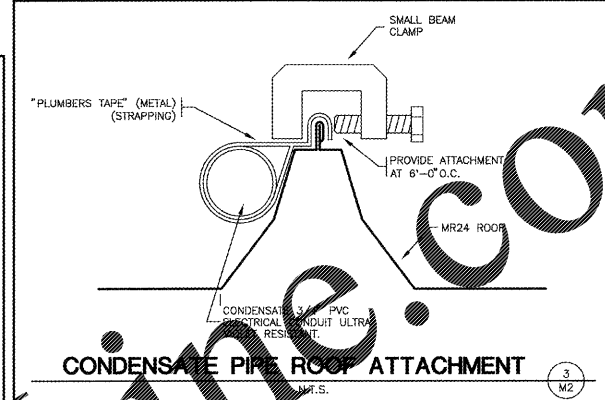
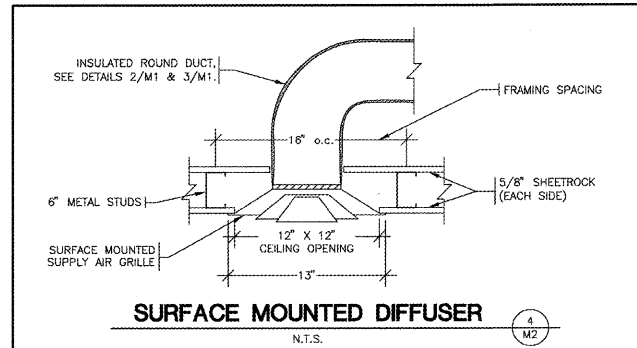


CONDENSATE SENSOR INSTALLATION, TYPICAL ALL RTU

- TAKE OUT 6 BOLTS HOLDING IN ECONOMIZER AND UNPLUG.
- ECONOMIZER IS FACTORY INSTALLED IT HAS TO BE UNPLUGGED AND SLID OUT OF THE ROOFTOP.
- THEN THERE ARE TWO COVERS ON THE END OF COIL IN WHICH CONDENSATE END OF PAN IS LOCATED THAT NEED TO BE REMOVED.
- LOCATE THE CONDENSATE SENSOR IN THE DRAIN PAN BECAUSE THIS AREA ON A SRT IS TIGHT.
- THIS IS THE PREFERRED PLACE FOR THE SENSOR.
- ATTACH THE CONDENSATE SENSOR TO THE DRAIN PAN AND ROUTE THE SENSOR'S WIRE TO THE RTU'S CONTROL BOARD AND TEST FOR PROPER OPERATION.
- REASSEMBLE EVERYTHING.

| FAN SCHEDULE | | | | | | | | | | | | |
|--------------|--------------------|------|----------------|-----------|---------------|------------|-------|-----|------|-------------|---------|-------------|
| MARK | DESCRIPTION | MFR. | CATALOG NUMBER | CFM (NOM) | STATIC PRESS. | MOTOR H.P. | V/PH | MCA | MOCP | ACCESSORIES | REMARKS | REF. DETAIL |
| EE-1 | INLINE EXHAUST FAN | COOK | GN-642 | 500 | 0.1 | 195W | 120/1 | - | - | BD,DS,WC | △△△ | - |
| EE-2 | INLINE FAN | COOK | GN-642 | 500 | 0.1 | 195W | 120/1 | - | - | BD,DS,SS | △△ | - |

| ACCESSORIES | | REMARKS |
|-------------|--|--|
| BD | GRAVITY BACK DRAFT DAMPER | △ ADJUST FOR CFM REQUIRED. △ EXHAUST FAN SHALL BE WIRED BY THE ELECTRICAL CONTRACTOR TO OPERATE WITH EITHER RESTROOM'S LIGHT SWITCH. △ FAN IN OFFICE TO BE CONTROLLED BY FAN SPEED SWITCH. |
| DS | DISCONNECT SWITCH | |
| WC | WALL CAP, "COOK" #WCA-6, ALUMINUM | |
| SS | FAN SPEED SWITCH "COOK" #FSC (OFFICE ONLY) | |
| | APPROVED ALTERNATE MANUFACTURER'S | |

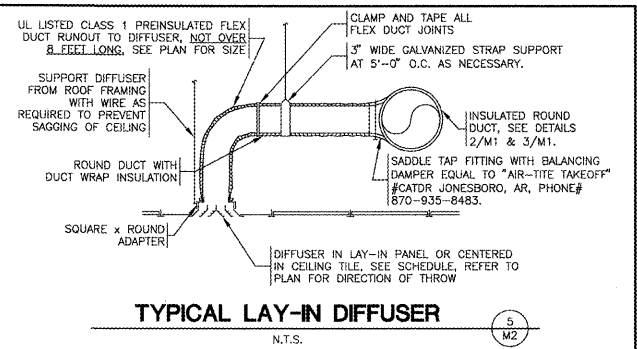


| GRILLE AND DIFFUSER SCHEDULE | | | | | | | | | | |
|------------------------------|-----------------|-----------|----------------|------------|--------|----------------|------------------|-------------|---------------------|-------------|
| MARK | DESCRIPTION | MFR. | CATALOG NUMBER | SIZE (in.) | FINISH | MOUNTING | BRANCH DUCT SIZE | ACCESSORIES | REMARKS | REF. DETAIL |
| G1 | SUPPLY GRILLE | ANEMOSTAT | S2HD | 14x14 | WHITE | DUCT | SEE PLAN | OB | △ | - |
| G2 | SUPPLY DIFFUSER | ANEMOSTAT | E-1-D | 12x12 | WHITE | SURFACE | SEE PLAN | DT | △△ | 4/M2 |
| G3 | SUPPLY DIFFUSER | ANEMOSTAT | EPL | 24x24 | WHITE | DUCT/LAY-IN | SEE PLAN | - | △ | 5/M2 |
| R1 | RETURN GRILLE | ANEMOSTAT | GC5 | 24x24 | WHITE | LAY-IN/EXPOSED | SEE PLAN | - | NON-FILTERED GRILLE | 5/M2 |
| R2 | RETURN GRILLE | ANEMOSTAT | GC5 | 12x12 | WHITE | SURFACE | SEE PLAN | - | NON-FILTERED GRILLE | 4/M2 |
| X1 | EXHAUST GRILLE | ANEMOSTAT | SJHS | 12x12 | WHITE | CEILING | SEE PLAN | OB | - | - |

| ACCESSORIES | | REMARKS |
|-------------|----------------------|--------------------|
| OB | OPPOSED BLADE DAMPER | △ 1-WAY △ 4-WAY |
| DT | DIRECTIONAL TABS | |

APPROVED ALTERNATE MANUFACTURER'S

| | | | | |
|-------------------------------|-------------------|---------|----------|---------|
| GRILLES, DIFFUSERS & DAMPERS: | *TUTTLE & BAILEY | *NAILOR | *ARROW | *CARNES |
| | *PRICE INDUSTRIES | *TITUS | *KRUEGER | |



NATIONAL ACCOUNT ROOFTOP UNIT SCHEDULE - 7.5 TON HEAT PUMP (3-PHASE)

| RTU - RESPONSIBILITIES | | | | | | | | | | CALL THE CARRIER CUSTOMER SERVICE REP. BELOW FOR CONFIRMATION OF ORDERS. DO NOT CALL CARRIER FOR QUOTES! | | | | | | | | | |
|---|---|---------|--------------------|-------------|--------------|---------------------|-------|-------|------|---|------|------|------|---------|------|------------|--|---------|--------------|
| 1.) ALL CARRIER HVAC UNITS ARE OWNER SUPPLIED BY O'REILLY AUTOMOTIVE. 2.) MECHANICAL CONTRACTOR IS RESPONSIBLE FOR THE INSTALLATION OF ALL CARRIER HVAC UNITS. 3.) MECHANICAL CONTRACTOR IS RESPONSIBLE FOR THE FIRST YEAR LABOR WARRANTY ON ALL OWNER SUPPLIED EQUIPMENT. 4.) MECHANICAL CONTRACTORS WORKING ON O'REILLY PROJECTS MUST CALL "CARRIER CORPORATION'S NATIONAL ACCOUNTS" DEPARTMENT FOR CONFIRMATION OF ORDERS ONLY! 5.) MECHANICAL CONTRACTOR IS RESPONSIBLE FOR SCHEDULING, SHIPPING & RECEIVING ALL CARRIER UNITS FROM CARRIER NATIONAL ACCOUNTS. CONTACT CUSTOMER SERVICE REF. LISTED TO THE RIGHT. | | | | | | | | | | CARRIER CORPORATION, NATIONAL STRATEGIC ACCOUNTS CARRIER PARKWAY SYRACUSE, NEW YORK 13221 CUSTOMER SERVICE REPS: MARIA CAMPANELLO 315-432-3946 Maria.campanello@carrier.utc.com ACCOUNT MANAGER: PAUL WITZ CELL 315-317-2481 paul.witz@carrier.utc.com | | | | | | | | | |
| MARK | DESCRIPTION | MFR. | CATALOG NUMBER | HTG. MBH IN | HTG. MBH OUT | CLG. MBH TOT./SENS. | SEER | EER | HSPF | CFM | O.A. | ESP | HP | MCA | MOCP | Wt. (lbs.) | ACCESSORIES | REMARKS | REF. DETL. |
| RTU-1 | WEATHERMASTER PACKAGED ROOFTOP UNIT 7.5-TON | CARRIER | 50HC0A08B2MS-4F100 | 208V | 85.4 | 63.48 | 12.80 | 12.10 | 3.00 | 3000 | 0.6 | 1.50 | 1172 | 208V/3P | 1172 | 750 | SD,MB,HG,VS,EC,UPO, TBE,SS,AF,DS,CO2, EH,SPW,TSI,RS, RS,RC1,PPS,RTRS,NSA | △△△ | 1/M2 2/M2 |

| ACCESSORIES - FACTORY SUPPLIED & FIELD INSTALLED | | ACCESSORIES - FACTORY SUPPLIED & FIELD INSTALLED | |
|--|---|--|---|
| SD | RETURN AIR SMOKE DETECTOR. | EH | ELECTRIC RESISTANCE HEATER KIT. (SEE ABOVE FOR SIZE) |
| MB | MEDIUM STATIC BLOWER. (SINGLE SPEED). | SPW | SINGLE POINT WIRING KIT. FOR ELECTRIC HEATER. |
| HG | LOUVERED HAIL GUARDS. | CO2 | CO2 SENSOR, WALL MOUNT. #332CSP02LGD-01 |
| UPO | UN-POWERED CONVENIENCE OUTLET (FIELD POWERED), 15AMP, 120V, GROUND FAULT CIRCUIT INTERRUPTER (GFCI) TYPE. | RTRS | REMOTE TEST/RESET STATION, CARRIER #SD-TRM4(CRSDEST001400) FOR REMOTE TESTING/RESETTING OF DUCT SMOKE DETECTOR. SEE HVAC PLAN FOR MOUNTING LOCATIONS. |
| TBE | THRU-THE-BOTTOM-ELECTRIC SERVICE. (SEE ROOF TOP UNIT DETAILS) | HSA | ALARM/STROBE, CARRIER #6536-GS(CRSDHNS001A00). AUDIBLE/VISUAL SIGNAL DEVICE FOR SIGNALING ALARM OF DUCT SMOKE DETECTOR. SEE HVAC PLAN FOR MOUNTING LOCATIONS. |
| SS | HI & LOW REFRIGERANT SAFETY SWITCHES. (STANDARD ON EVERY UNIT) | | |
| AF | 2" RETURN AIR FILTERS. (STANDARD ON EVERY UNIT) | | |
| VS | VENSTAR SURVEYOR (ECP & SENSORS) | | |
| EC | ENTHALPY ECONOMIZER, W/BAROMETRIC RELIEF. | | |

| ACCESSORIES - O'REILLY SUPPLIED & FIELD INSTALLED | | ACCESSORIES - FIELD SUPPLIED & FIELD INSTALLED | |
|---|---|--|---|
| TS1 | VENSTAR COMMUNICATION THERMOSTAT. (NO SUBSTITUTIONS). REFER TO SHEET VS1. | RC1 | ROOF CURB (12" STANDARD, 14" IN EXTREME SNOW DRIFT AREA'S) ON NEW BUILDING, ROOF CURB IS BY BUILDING MANUFACTURER. ON EXISTING BUILDING, ROOF CURB IS BY GENERAL CONTRACTOR. WEIGHT OF ROOF CURB IS NOT INCLUDED IN THE WEIGHT ABOVE. |
| RS | VENSTAR REMOTE SENSOR. (NO SUBSTITUTIONS). REFER TO SHEET VS1. | PPS | PRIMARY PAN SENSOR, AQUAGUARD AG-3180E. (NO SUBSTITUTIONS). SEE CONDENSATE SENSOR INSTALLATION. |
| DS | NON-FUSED DISCONNECT SWITCH. (GRAYBAR/O'REILLY) SUPPLIED W/ ELECTRICAL BILL OF MATERIALS. | | |

- REMARKS**
- △ COOLING CAPACITY BASED ON 80°F EDB AND 67°F EWB. HEAT PUMP HEATING CAPACITY BASED ON 47° O.D. & 70° RETURN AIR.
 - △ CAPACITY BASED ON 95°F AMBIENT TEMPERATURE.
 - △ NOTE! HVAC COMPLETION, AT CONSTRUCTION COMPLETION:
 - CONTRACTOR SHALL REPLACE ALL RETURN AIR FILTERS INSIDE ALL HVAC UNITS W/CLEAN NEW AIR FILTERS.
 - CONTRACTOR SHALL SUPPLY AN ADDITIONAL CLEAN SET OF FILTERS TO THE OWNER AT JOB COMPLETION.
 - CONTRACTOR SHALL SHOW THE STORE MANAGER THE LOCATION OF & INSTRUCT HIM/HER HOW TO CHANGE ALL AIR FILTERS.
 - △ FACTORY EQUIPPED WITH STANDARD LOW AMBIENT COOLING TO 30°F ODB.
 - △ OUTSIDE AIR, SEE PLAN FOR UNIT(S) REQUIRING OUTSIDE AIR.
 - △ REFRIGERANT = R410A (PURON).
 - △ MAXIMUM CIRCUIT BREAKER OR TIME-DELAY FUSE.

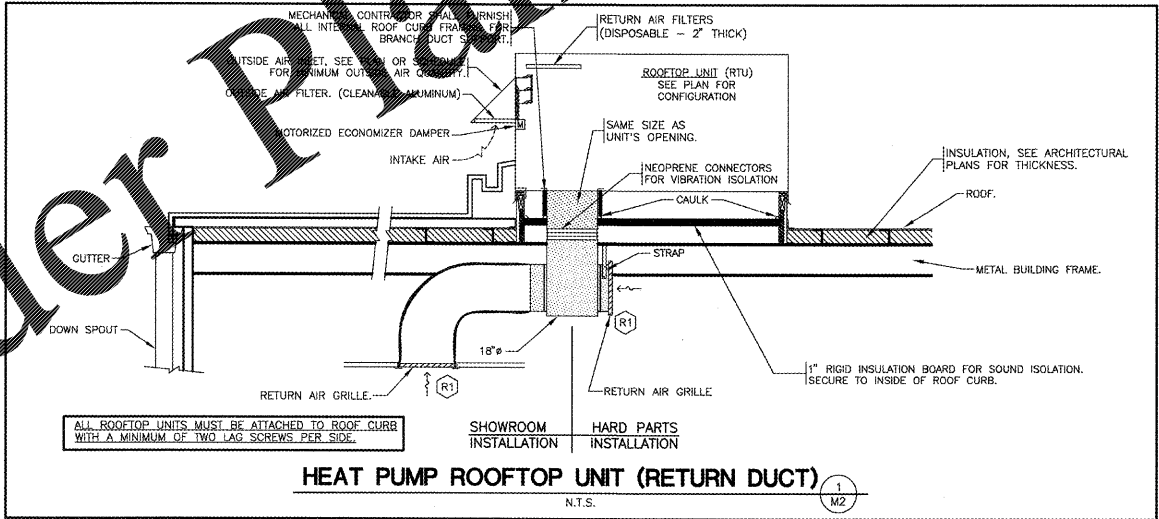
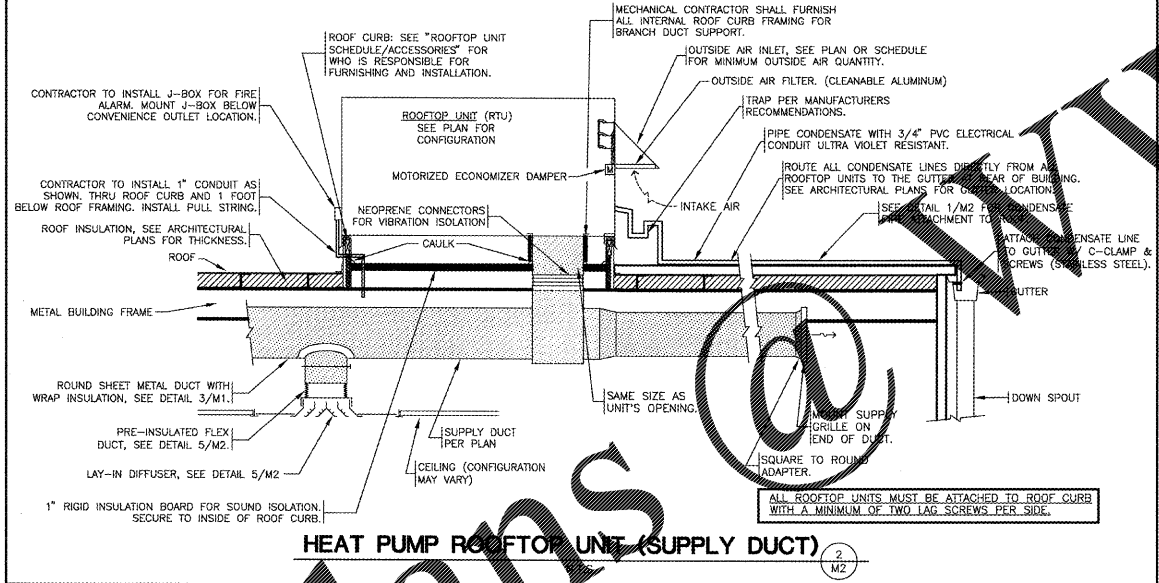
NATIONAL ACCOUNT ROOFTOP UNIT SCHEDULE - 5 TON HEAT PUMP (3-PHASE)

| RTU - RESPONSIBILITIES | | | | | | | | | | CALL THE CARRIER CUSTOMER SERVICE REP. BELOW FOR CONFIRMATION OF ORDERS. DO NOT CALL CARRIER FOR QUOTES! | | | | | | | | | | |
|---|---|---------|--------------------|-------------|--------------|---------------------|------|------|-------|---|------|------|-----|-----|------|------------|-------------|---|------------|--------------|
| 1.) ALL CARRIER HVAC UNITS ARE OWNER SUPPLIED BY O'REILLY AUTOMOTIVE. 2.) MECHANICAL CONTRACTOR IS RESPONSIBLE FOR THE INSTALLATION OF ALL CARRIER HVAC UNITS. 3.) MECHANICAL CONTRACTOR IS RESPONSIBLE FOR THE FIRST YEAR LABOR WARRANTY ON ALL OWNER SUPPLIED EQUIPMENT. 4.) MECHANICAL CONTRACTORS WORKING ON O'REILLY PROJECTS MUST CALL "CARRIER CORPORATION'S NATIONAL ACCOUNTS" DEPARTMENT FOR CONFIRMATION OF ORDERS ONLY! 5.) MECHANICAL CONTRACTOR IS RESPONSIBLE FOR SCHEDULING, SHIPPING & RECEIVING ALL CARRIER UNITS FROM CARRIER NATIONAL ACCOUNTS. CONTACT CUSTOMER SERVICE REF. LISTED TO THE RIGHT. | | | | | | | | | | CARRIER CORPORATION, NATIONAL STRATEGIC ACCOUNTS CARRIER PARKWAY SYRACUSE, NEW YORK 13221 CUSTOMER SERVICE REPS: MARIA CAMPANELLO 315-432-3946 Maria.campanello@carrier.utc.com ACCOUNT MANAGER: PAUL WITZ CELL 315-317-2481 paul.witz@carrier.utc.com | | | | | | | | | | |
| MARK | DESCRIPTION | MFR. | CATALOG NUMBER | HTG. MBH IN | HTG. MBH OUT | CLG. MBH TOT./SENS. | SEER | EER | HSPF | CFM | O.A. | ESP | HP | MCA | MOCP | Wt. (lbs.) | ACCESSORIES | REMARKS | REF. DETL. | |
| RTU-2 | WEATHERMASTER PACKAGED ROOFTOP UNIT 5-TON | CARRIER | 50HC0A08B2MS-4F100 | 208V | 12.0 KW | 40.96 | 61.5 | 47.3 | 15.00 | 12.50 | 8.20 | 2000 | 0.6 | 1.0 | 70.4 | 80+ | 750 | SD,MB,HG,VS,EC,UPO, TBE,SS,AF,DS, CO2,EH,SPW,TSI, RS,RC1,PPS,RTRS,NSA | △△△ | 1/M2 2/M2 |

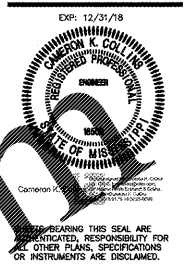
| ACCESSORIES - FACTORY SUPPLIED & FIELD INSTALLED | | ACCESSORIES - FACTORY SUPPLIED & FIELD INSTALLED | |
|--|---|--|---|
| SD | RETURN AIR SMOKE DETECTOR. | EH | ELECTRIC RESISTANCE HEATER KIT. (SEE ABOVE FOR SIZE) |
| MB | MEDIUM STATIC BLOWER. (SINGLE SPEED). | SPW | SINGLE POINT WIRING KIT. FOR ELECTRIC HEATER. |
| HG | LOUVERED HAIL GUARDS. | CO2 | CO2 SENSOR, WALL MOUNT. #332CSP02LGD-01 |
| UPO | UN-POWERED CONVENIENCE OUTLET (FIELD POWERED), 15AMP, 120V, GROUND FAULT CIRCUIT INTERRUPTER (GFCI) TYPE. | RTRS | REMOTE TEST/RESET STATION, CARRIER #SD-TRM4(CRSDEST001400) FOR REMOTE TESTING/RESETTING OF DUCT SMOKE DETECTOR. SEE HVAC PLAN FOR MOUNTING LOCATIONS. |
| TBE | THRU-THE-BOTTOM-ELECTRIC SERVICE. (SEE ROOF TOP UNIT DETAILS) | HSA | ALARM/STROBE, CARRIER #6536-GS(CRSDHNS001A00). AUDIBLE/VISUAL SIGNAL DEVICE FOR SIGNALING ALARM OF DUCT SMOKE DETECTOR. SEE HVAC PLAN FOR MOUNTING LOCATIONS. |
| SS | HI & LOW REFRIGERANT SAFETY SWITCHES. (STANDARD ON EVERY UNIT) | | |
| AF | 2" RETURN AIR FILTERS. (STANDARD ON EVERY UNIT) | | |
| VS | VENSTAR SURVEYOR (ECP & SENSORS) | | |
| EC | ENTHALPY ECONOMIZER, W/BAROMETRIC RELIEF. | | |

| ACCESSORIES - O'REILLY SUPPLIED & FIELD INSTALLED | | ACCESSORIES - FIELD SUPPLIED & FIELD INSTALLED | |
|---|---|--|---|
| TS1 | VENSTAR COMMUNICATION THERMOSTAT. (NO SUBSTITUTIONS). REFER TO SHEET VS1. | RC1 | ROOF CURB (12" STANDARD, 14" IN EXTREME SNOW DRIFT AREA'S) ON NEW BUILDING, ROOF CURB IS BY BUILDING MANUFACTURER. ON EXISTING BUILDING, ROOF CURB IS BY GENERAL CONTRACTOR. WEIGHT OF ROOF CURB IS NOT INCLUDED IN THE WEIGHT ABOVE. |
| RS | VENSTAR REMOTE SENSOR. (NO SUBSTITUTIONS). REFER TO SHEET VS1. | PPS | PRIMARY PAN SENSOR, AQUAGUARD AG-3180E. (NO SUBSTITUTIONS). SEE CONDENSATE SENSOR INSTALLATION. |
| DS | NON-FUSED DISCONNECT SWITCH. (GRAYBAR/O'REILLY) SUPPLIED W/ ELECTRICAL BILL OF MATERIALS. | | |

- REMARKS**
- △ COOLING CAPACITY BASED ON 80°F EDB AND 67°F EWB. HEAT PUMP HEATING CAPACITY BASED ON 47° O.D. & 70° RETURN AIR.
 - △ CAPACITY BASED ON 95°F AMBIENT TEMPERATURE.
 - △ NOTE! HVAC COMPLETION, AT CONSTRUCTION COMPLETION:
 - CONTRACTOR SHALL REPLACE ALL RETURN AIR FILTERS INSIDE ALL HVAC UNITS W/CLEAN NEW AIR FILTERS.
 - CONTRACTOR SHALL SUPPLY AN ADDITIONAL CLEAN SET OF FILTERS TO THE OWNER AT JOB COMPLETION.
 - CONTRACTOR SHALL SHOW THE STORE MANAGER THE LOCATION OF & INSTRUCT HIM/HER HOW TO CHANGE ALL AIR FILTERS.
 - △ FACTORY EQUIPPED WITH STANDARD LOW AMBIENT COOLING TO 30°F ODB.
 - △ OUTSIDE AIR, SEE PLAN FOR UNIT(S) REQUIRING OUTSIDE AIR.
 - △ REFRIGERANT = R410A (PURON).
 - △ MAXIMUM CIRCUIT BREAKER OR TIME-DELAY FUSE.



Order Plans



O'Reilly AUTO PARTS
 PROJECT: NEW O'REILLY AUTO PARTS STORE
 915 AZALEA DRIVE
 WAYNESBORO, MISSISSIPPI
 MALONE FINKLE ECKHARDT & COLLINS, INC.
 233 SOUTH PATTERSON
 SPRINGFIELD, MISSOURI 65802
 (417) 862-2674 TELEPHONE

PROJECT: NEW O'REILLY AUTO PARTS STORE
 915 AZALEA DRIVE
 WAYNESBORO, MISSISSIPPI
HVAC DETAILS

mfec
 Malone Finkle Eckhardt & Collins, Inc.
 3333 E. Battlefield Rd., Suite 1000
 Springfield, Missouri 65804
 phone 417-881-0020
 fax 417-881-0053
 mtec.com

DATE: 01/12/18
 REVISION:
 PROJECT NUMBER: WSB
 SHEET NUMBER: M2