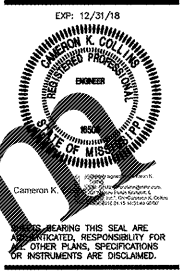
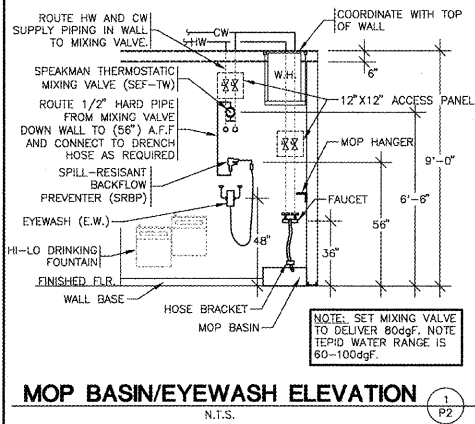
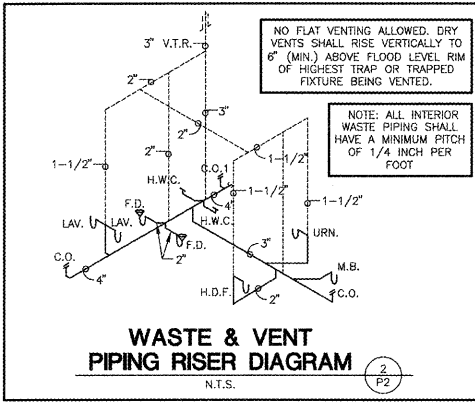
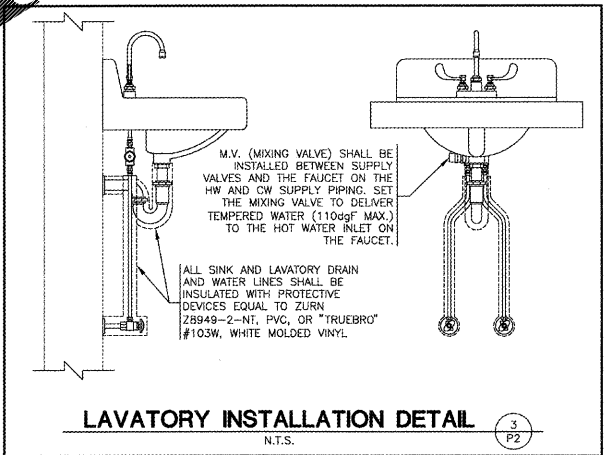
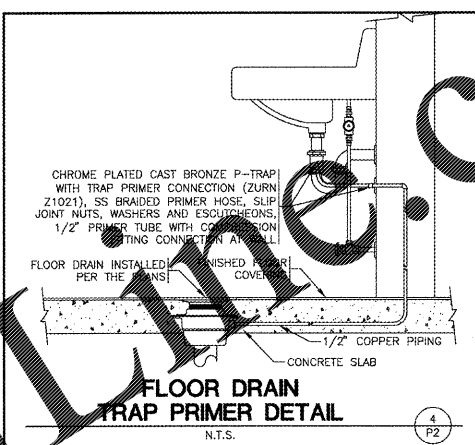
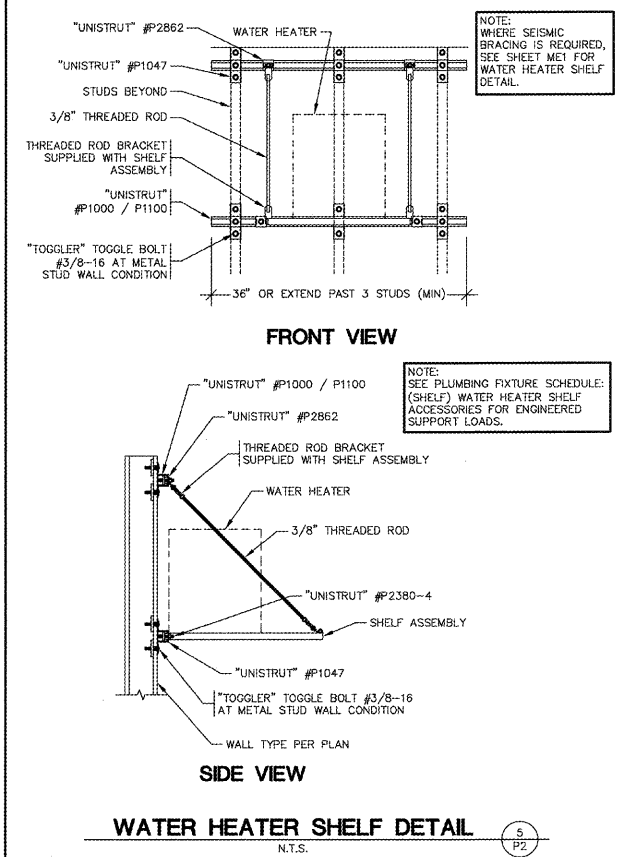
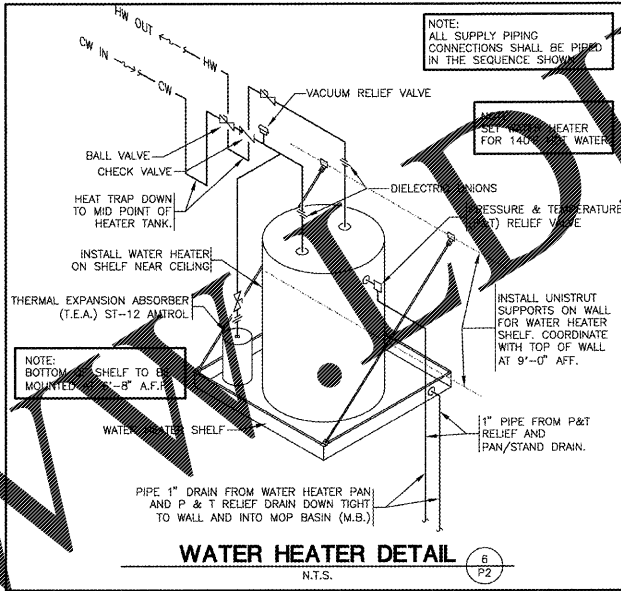
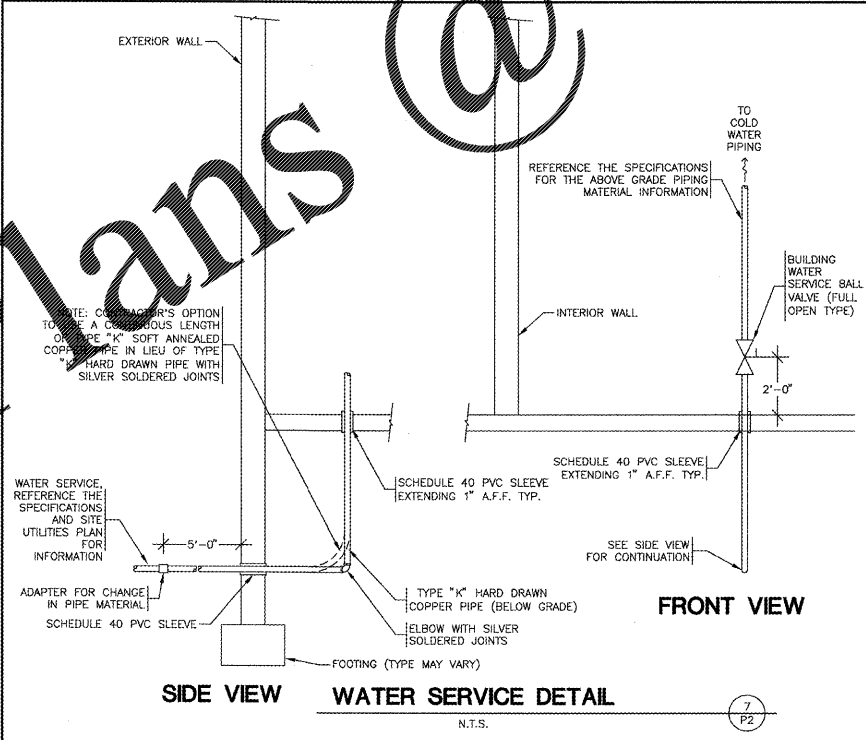
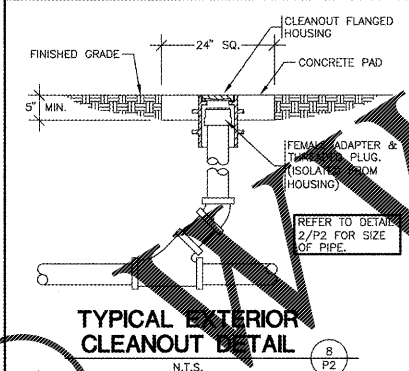


Order Plans

PLUMBING CALCULATIONS

FIXTURE	QUANTITY	TOTAL-SFU	TOTAL TOTAL-HW	TOTAL	DFU	TOTAL
W.C. (TANK)	2	5	10	0	0	4
URN. (URINAL)	1	5	5	0	0	4
LAV. (LAVATORY)	2	2	4	1.5	3.00	2
M.B. (MOP BASIN)	1	3	3	1.5	1.50	2
H.D.F. (FOUNTAIN)	1	0.25	0.25	0	0	0.5
H.B. (HOSE BIB)	2	3	6	0	0	0
TOTAL		28.25	TOTAL	4.50	TOTAL	18.50
TOTAL CW GPM	20		AVERAGE DAILY FLOW	= 125 gal/DAY		
COLD WATER SERVICE SIZE	1"					



O'Reilly AUTO PARTS
CORPORATE OFFICES
233 SOUTH PATTERSON
SPRINGFIELD, MISSOURI 65802
(417) 862-2674 TELEPHONE

PROJECT:
NEW O'REILLY AUTO PARTS STORE
915 AZALEA DRIVE
WAYNESBORO, MISSISSIPPI

PLUMBING DETAILS

mfec
Matone Fink Eckhardt & Collins, Inc.
Consulting Engineers
3333 E. Battlefield Rd., Suite 1000
Springfield, Missouri 65804
phone 417.881.0020
fax 417.881.0053
mfc.com

DRAWN BY: **MVS** CHECKED BY: **JEE**
DATE: **01/12/18**
REVISION:
PROJECT NUMBER:
WSB
SHEET NUMBER

P2