

Order Plans

MIRADA WALL SCONCE (XWM)



SEE LIGHTING FACTS Department of Energy has verified representative product test data and results in accordance with the Lighting Facts Program. Visit www.lightingfacts.com for specific testing details.

Table with columns: Lumens, Watts, LPW. Rows for 150, 300, 450, 600, 750, 900, 1050, 1200 lumens.

100% Dimmable with DALI or 0-10V dimming control.

Department of Energy has verified representative product test data and results in accordance with the Lighting Facts Program. Visit www.lightingfacts.com for specific testing details.

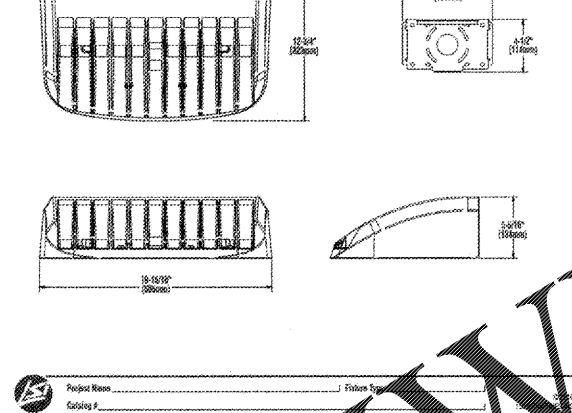
MIRADA WALL SCONCE (XWM)

ORDERING INFORMATION

Table with columns: Order, Description, Light Source, Input Voltage, Output Voltage, Power, Dimensions, Finish, Mounting Hardware, Notes.

Table with columns: Order, Description, Light Source, Input Voltage, Output Voltage, Power, Dimensions, Finish, Mounting Hardware, Notes.

SEE LIGHTING FACTS Department of Energy has verified representative product test data and results in accordance with the Lighting Facts Program. Visit www.lightingfacts.com for specific testing details.



LED AREA LIGHTS - LSI MIRADA (XALM)



SEE LIGHTING FACTS Department of Energy has verified representative product test data and results in accordance with the Lighting Facts Program. Visit www.lightingfacts.com for specific testing details.

Table with columns: Lumens, Watts, LPW. Rows for 150, 300, 450, 600, 750, 900, 1050, 1200 lumens.

100% Dimmable with DALI or 0-10V dimming control.

Department of Energy has verified representative product test data and results in accordance with the Lighting Facts Program. Visit www.lightingfacts.com for specific testing details.

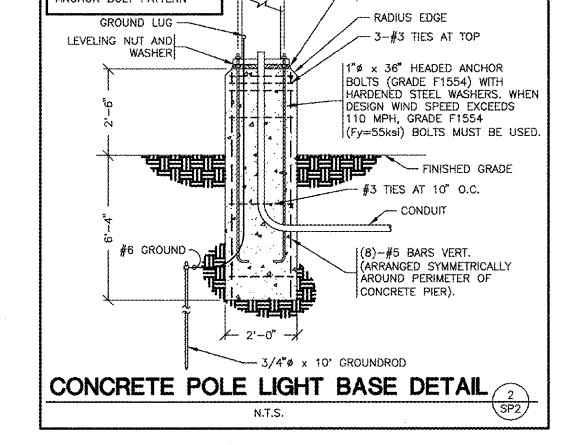
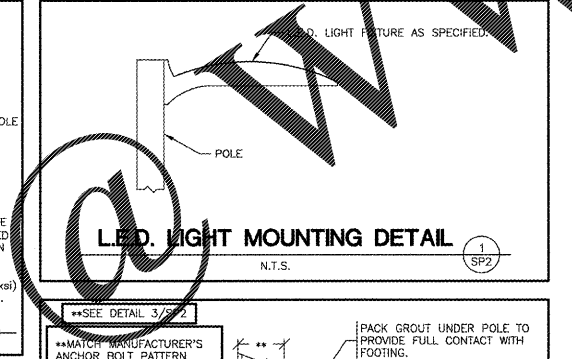
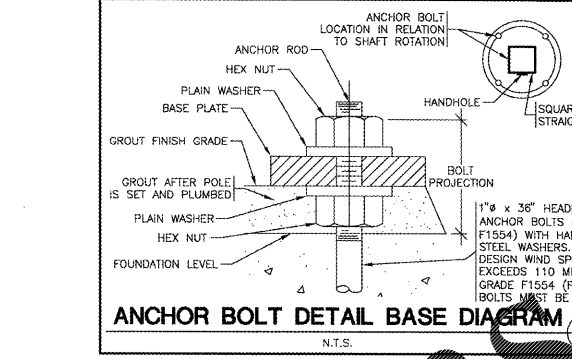
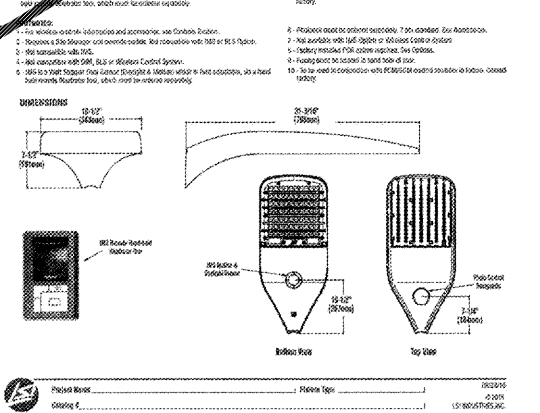
LED AREA LIGHTS - LSI MIRADA (XALM)

ORDERING INFORMATION

Table with columns: Order, Description, Light Source, Input Voltage, Output Voltage, Power, Dimensions, Finish, Mounting Hardware, Notes.

Table with columns: Order, Description, Light Source, Input Voltage, Output Voltage, Power, Dimensions, Finish, Mounting Hardware, Notes.

SEE LIGHTING FACTS Department of Energy has verified representative product test data and results in accordance with the Lighting Facts Program. Visit www.lightingfacts.com for specific testing details.



STEEL SQUARE POLES

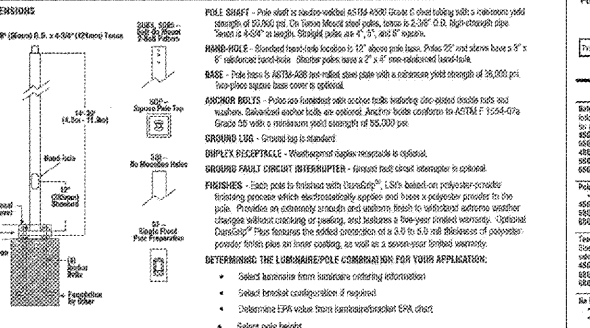


Table with columns: Pole Size, Material, Weight, etc. for various pole specifications.

STEEL SQUARE POLES

POLE ORDERING INFORMATION

Table with columns: Pole Size, Material, Weight, etc. for various pole specifications.

Table with columns: Pole Size, Material, Weight, etc. for various pole specifications.

O'Reilly Auto Parts logo and address information: 233 South Patterson, Springfield, Missouri 65802.

Project information: NEW O'REILLY AUTO PARTS STORE, 915 AZALEA DRIVE, WAYNESBORO, MISSISSIPPI. Includes mtec logo and contact info.