

O'Reilly AUTO PARTS
CORPORATE OFFICES
233 SOUTH PATTERSON
SPRINGFIELD, MISSOURI 65802
(417) 862-2674 TELEPHONE

PROJECT:
NEW O'REILLY AUTO PARTS STORE
915 AZALEA DRIVE
WAYNESBORO, MISSISSIPPI

Buddy Webb, NCARB, AIA
Architect - Consultant
3057 EAST CAIRO
SPRINGFIELD, MISSOURI 65802
(417) 877-1985 TELEPHONE
(417) 877-9736 FAX

DRAWN BY: **JF** CHECKED BY: **LG**
DATE: **01/12/18**
REVISION:
PROJECT NUMBER: **WSB**
SHEET NUMBER

A5.1

DOOR HARDWARE SCHEDULE

- HARDWARE NOTES:**
- ALL HARDWARE TO BE ADA AND ANSI COMPLIANT.
 - VERIFY COMPATIBILITY OF HARDWARE SPECIFIED. NOTIFY ARCHITECT OF INCOMPATIBILITY ISSUES PRIOR TO ORDERING AND INSTALLATION.
- SET NO. 1 (DR. 1)**
- CYLINDER: 20-062 X US26D - "E" KEYWAY (REMOVABLE CORE).....SCHLAGE
 - PAIR OF OFFSET PIVOTS: 195/186 X US26D.....RIXON
 - DEADLOCK: MS1850S X US28.....ADAMS
 - DEADLOCK LEVER: 4550 X US28.....ADAMS RIT
 - STRIKE: MS4002 X US28.....ADAMS RIT
 - SET PUSH/PULLS: 86-191 ULTRALINE W/ OFFSET PULL X US26D.....TECO
 - CLOSER: 4041-3077-187J-TB X AL (ADJ. TO 8.5 LBS.).....HAGER
 - SET PERIMETER GASKETS: POLYMERIC BULB X LENGTH REQUIRED.....PEMKO
 - SWEEP: 345AP X LENGTH REQUIRED.....PEMKO
 - THRESHOLD: 270A X LENGTH REQUIRED (OFFSET PIVOT COMPATIBLE) (ANSI & ADA COMPLIANT).....PEMKO
- SET NO. 2 (DR. 2)**
- CONTINUOUS HINGE: 780-1122 X LENGTH REQUIRED X US28.....HAGER
 - CYLINDER: 20-057 X US26D - "E" KEYWAY (REMOVABLE CORE).....SCHLAGE
 - PROVIDE (2) SECURITY KEYS, (1) CORE KEY, (1) BITTED.....SCHLAGE
 - EXIT PANIC: K-9300B 196 X 688 X 688 X 630 (THROUGH SEX BOLT MOUNTING).....DORMA
 - KEY PLAT: 905 X 8" X 34" X US32D.....HAGER
 - THROUGH SEX BOLT MOUNTING: 1 X 688 (ADJ. TO 8.5 LBS.).....DORMA
 - SET PERIMETER GASKETS: JAMBS - KERFER QEBD-500, HEADER - ADHESIVE ODST-875.....SCHLEGEL
 - LATCH GUARD: LG100Z/SF X US26D (STRAIGHT W/PIN W/ SEX BOLTS).....LATCHGUARD
 - DOOR VIEW: 688 - 190 DEGREE WIDE ANGLE X US26D.....IVES
 - KEY PLAT: 905 X 8" X 34" X US32D.....HAGER
 - SWEEP: 345AP X LENGTH REQUIRED.....PEMKO
 - THRESHOLD: 271A X LENGTH REQUIRED.....PEMKO
- SET NO. 3 (DR. 3)**
- REQUIRED HARDWARE FURNISHED WITH OVERHEAD DOOR SYSTEM (LOCKING FROM INSIDE ONLY).
- SET NO. 4 (DR. 4)**
- HINGES: BB1279 X 4 1/2" X 4 1/2" X US26D.....HAGER
 - OFFICE LOCK: AU5307LN X US26D.....YALE
 - WALL BUMPER: 409 X US26D.....ROCKWOOD
- SET NO. 5 (DR. 5, 6)**
- HINGES: BB1279 X 4 1/2" X 4 1/2" X US26D.....HAGER
 - PRIVACY LOCK: AU5302LN X US26D.....YALE
 - WALL BUMPER: 409 X US26D.....ROCKWOOD
- SET NO. 6 (DR. 7)**
- HINGES: ECBB1100 X 4 1/2" X 4 1/2" X US32D X NRP.....HAGER
 - EXIT ONLY PANIC LOCK: 8300B X 486 X 689.....DORMA
 - CLOSER: 5300MLT X ALM (ADJ. TO 8.5 LBS.) (THROUGH SEX BOLT MOUNTING).....HAGER
 - SET PERIMETER GASKETS: JAMBS - KERFER QEBD-500, HEADER - ADHESIVE ODST-875.....SCHLEGEL
 - LATCH GUARD: LG100Z/SF X US26D (STRAIGHT W/PIN W/ SEX BOLTS).....LATCHGUARD
 - SWEEP: 345AP X LENGTH REQUIRED.....PEMKO
 - THRESHOLD: 271A X LENGTH REQUIRED.....PEMKO

DOOR SCHEDULE

MK	DOOR			DOOR HARDWARE		FRAME		DETAILS				FIRE RATING	REMARKS (REFER NOTES)	
	SIZE (W x H x D)	TYPE	SWING	MATERIAL	GLAZ TYPE	SET #	KEYED	TYPE	MATERIAL	HEAD WIDTH	HEAD			JAMB
1	3'-0" X 7'-0" X 1-3/4"	A	REFER TO FLOOR PLAN	ALUMINUM	1	1	A	1	ALUMINUM	4/A5.2	4/A5.2	5/A5.2		1, 2
2	3'-0" X 7'-0" X 1-3/4"	B	REFER TO FLOOR PLAN	INSULATED METAL		2	A	2	INSULATED METAL	4"	1/A5.1	2/A5.1	5/A5.2 SIM	1, 2, 3
3	6'-0" X 8'-0"	D	SECTIONAL OVERHEAD	INSULATED METAL		3			MANUFACTURER'S STANDARDS		5/A5.1	8/A5.1		1
4	3'-0" X 7'-0" X 1-3/4"	C	REFER TO FLOOR PLAN	SOLID WOOD		4		2	HOLLOW METAL	7/A5.1	8/A5.1			1, 4
5	3'-0" X 7'-0" X 1-3/4"	C	REFER TO FLOOR PLAN	SOLID WOOD		5		2	HOLLOW METAL	7/A5.1	8/A5.1			1, 4
6	3'-0" X 7'-0" X 1-3/4"	C	REFER TO FLOOR PLAN	SOLID WOOD		5		2	HOLLOW METAL	7/A5.1	8/A5.1			1, 4
7	3'-0" X 7'-0" X 1-3/4"	B	REFER TO FLOOR PLAN	INSULATED METAL		6		2	INSULATED METAL	4"	3/A5.1	4/A5.1	5/A5.2 SIM	1, 3

NOTES:

- ALL DOORS SHALL BE SHOP PREPARED FOR HARDWARE.
- ALL EXTERIOR DOORS TO BE KEYPED ALIKE. CONTRACTOR TO FIELD VERIFY AND MATCH CORE OF DOOR MARKED "2".
- EXTERIOR DOOR, FRAME AND HARDWARE OWNER FURNISHED AND CONTRACTOR INSTALLED. REFER TO SCOPE OF WORK SCHEDULE.
- CONTRACTOR'S OPTION TO PURCHASE INTERIOR DOORS, FRAMES, AND HARDWARE THROUGH PREFERRED VENDOR. REFER TO SCOPE OF WORK SCHEDULE.

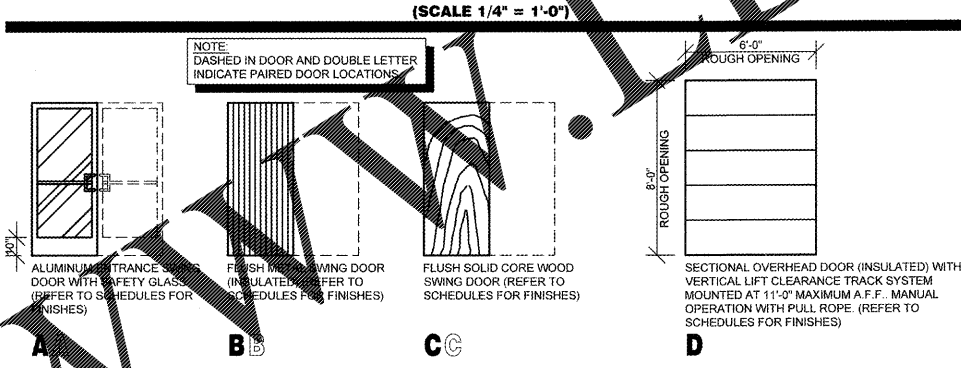
LOCKNET
100 COURICHELLE DRIVE
NICHOLASVILLE, KY 40356
CONTACT: PAM PEEL
PHONE 900-887-4307 EXT 133
FAX 859-881-5499
EMAIL: construction@locknet.com

SPECIAL NOTE:
UNLESS OTHERWISE INDICATED, KNOCK DOWN (KD) TYPE DOOR FRAMES ARE NOT PERMITTED.

ALL EXTERIOR DOORS, FRAMES AND HARDWARE SUPPLIED TO BE WIND-RATED TO COMPLY WITH THE FOLLOWING CRITERIA:
DESIGN PRESSURE = +50/-50 PSF

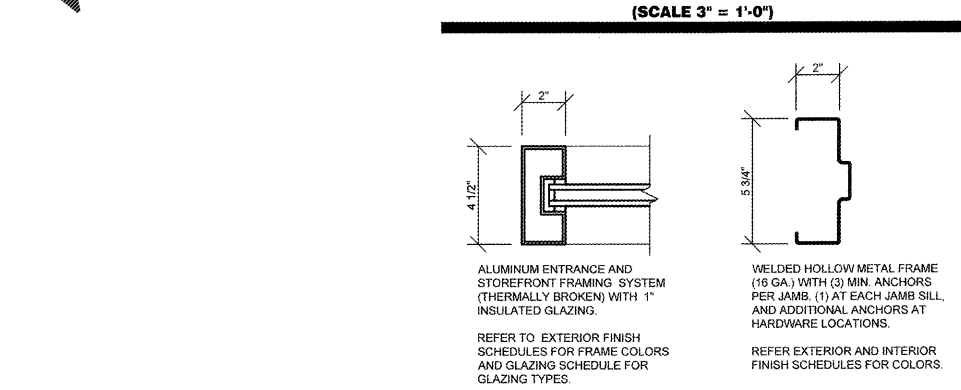
DOOR TYPES

(SCALE 1/4" = 1'-0")



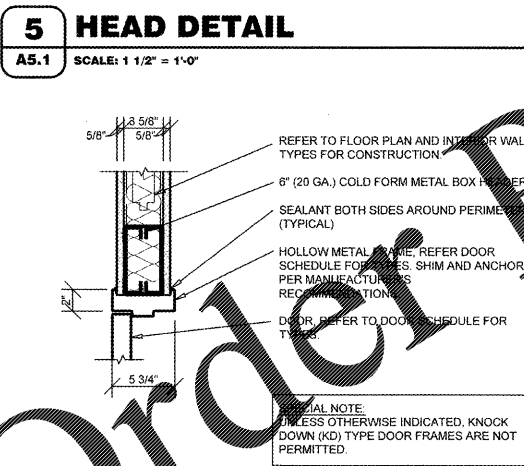
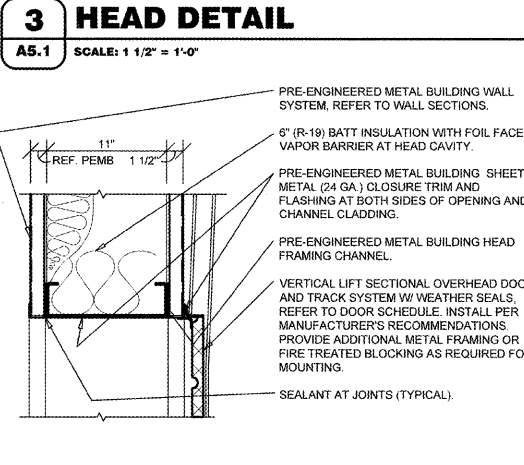
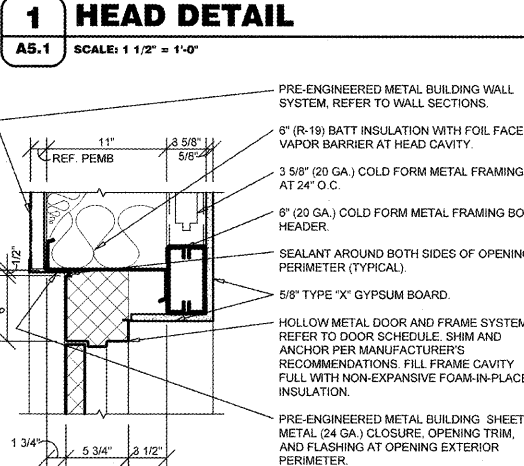
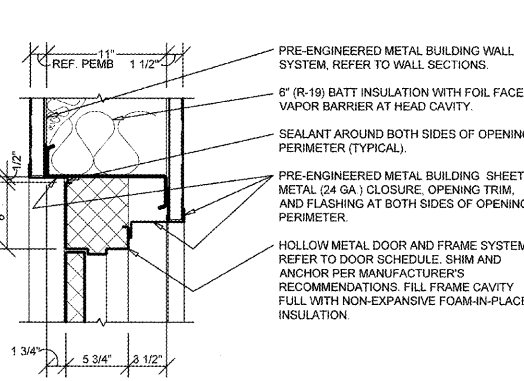
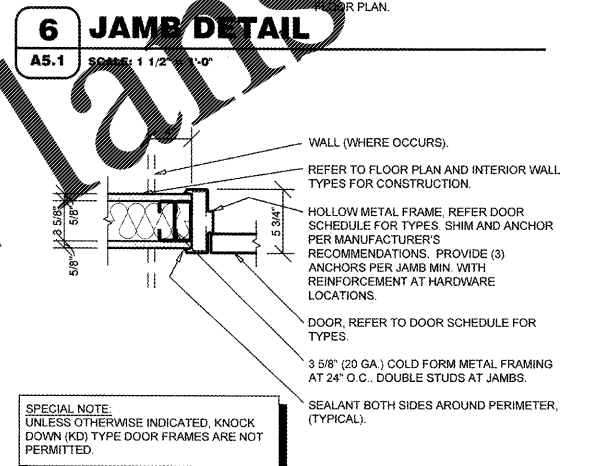
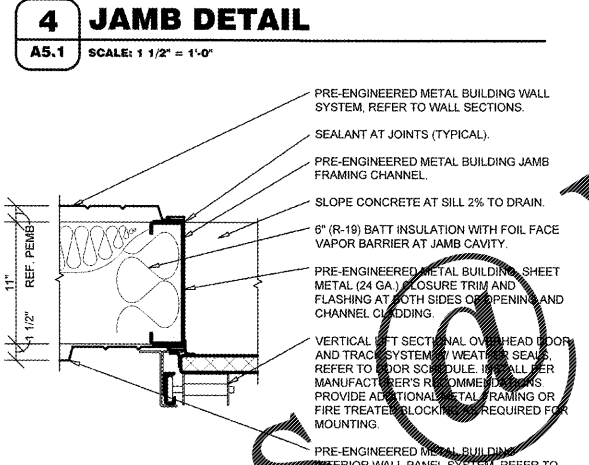
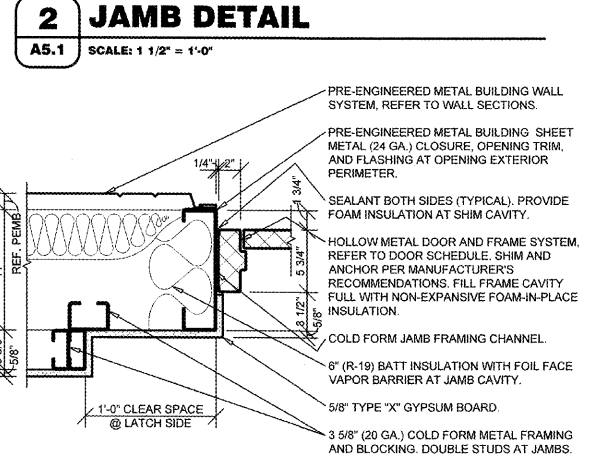
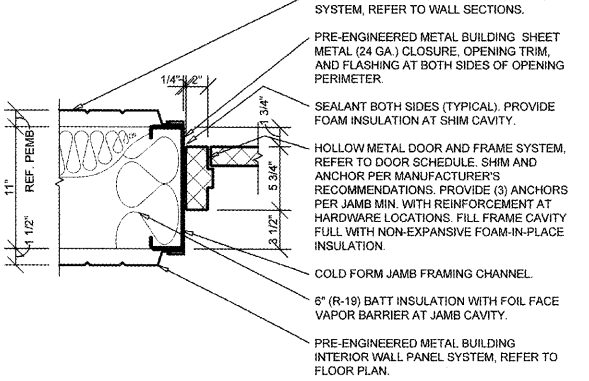
FRAME TYPES

(SCALE 3" = 1'-0")



GENERAL NOTES

- REFER TO PROJECT MANUAL FOR ADDITIONAL REQUIREMENTS.
- REFER TO BUILDING CODE SUMMARY FOR PROJECT STRUCTURAL DESIGN CRITERIA. DOOR FRAMING AND ANCHORING SYSTEMS SHALL BE DESIGNED BY MANUFACTURER TO CONFORM TO PERFORMANCE AND TESTING REQUIREMENTS SPECIFIED.
- REFER TO FLOOR PLAN, ELEVATIONS, AND SECTIONS FOR ADDITIONAL REQUIREMENTS.
- REFER TO EXTERIOR AND INTERIOR FINISH SCHEDULES FOR COLORS. PERIMETER SEALANT COLOR TO MATCH FRAME COLOR UNLESS OTHERWISE INDICATED.



Order Plans