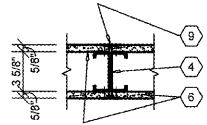
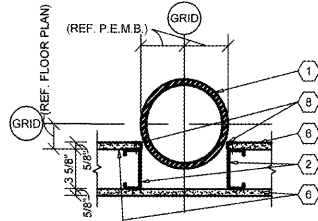


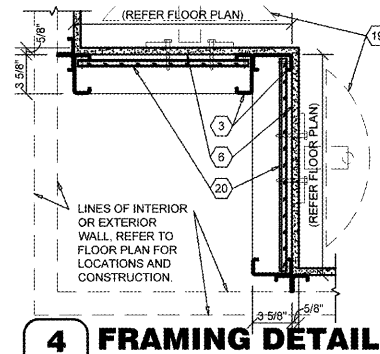
1 COLUMN DETAIL
A4.2 SCALE: 3/4" = 1'-0"



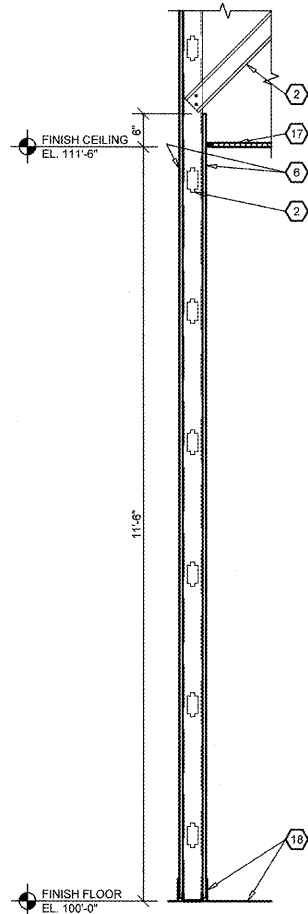
2 GYPSUM BOARD C.J. DETAIL
A4.2 SCALE: 1 1/2" = 1'-0"



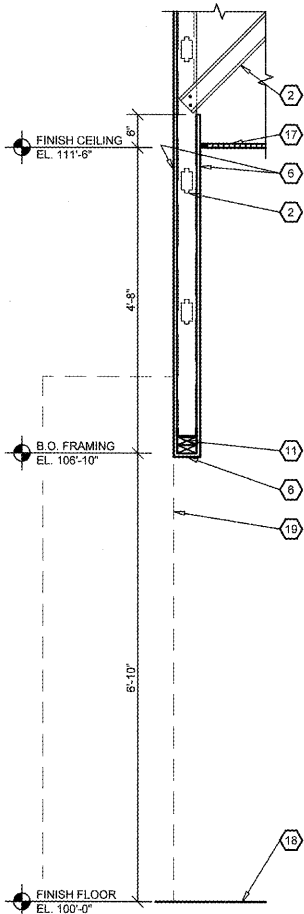
3 COLUMN DETAIL
A4.2 SCALE: 1 1/2" = 1'-0"



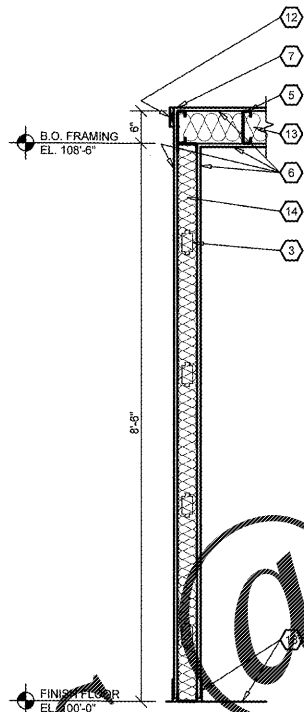
4 FRAMING DETAIL
A4.2 SCALE: 1 1/2" = 1'-0"



5 INTERIOR WALL SECTION
A4.2 SCALE: 3/4" = 1'-0"



6 INTERIOR WALL SECTION
A4.2 SCALE: 3/4" = 1'-0"



7 INTERIOR WALL SECTION
A4.2 SCALE: 3/4" = 1'-0"

8 (NOT USED)
A4.2 SCALE: N.T.S.

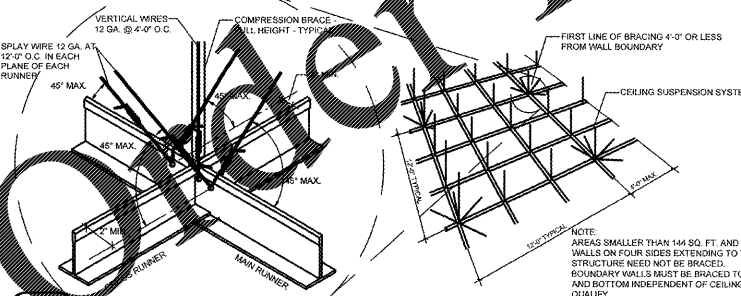
SPECIAL NOTE:
REFER TO SHEET G1 FOR PROJECT'S DEFINED SEISMIC DESIGN CATEGORY TO DETERMINE INSTALLATION REQUIREMENTS.

GENERAL INSTALLATION REQUIREMENTS (REFER ALSO TO PROJECT MANUAL):

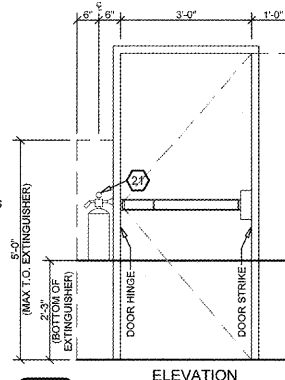
SEISMIC DESIGN CATEGORIES "A" AND "B":
CONFORM TO ASTM C636.

SEISMIC DESIGN CATEGORY "C":
CONFORM TO ASTM E580.
-MINIMUM 7/8" WALL MOLDING
-SUSPENSION SYSTEM MUST NOT BE ATTACHED TO THE WALL MOLDING.
-MINIMUM 3/8" CLEARANCE ON ALL SIDES.
-MINIMUM 3/8" OVERLAP OF THE SUSPENSION SYSTEM ON THE WALL MOLDING.
-ENDS OF MAIN BEAMS AND CROSS TEES MUST BE TIED TOGETHER TO PREVENT THEIR SPREADING.
-SAFETY WIRES REQUIRED ON LIGHT FIXTURES.

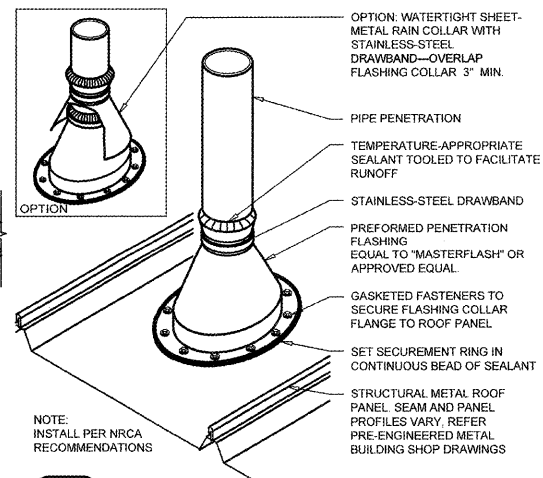
SEISMIC DESIGN CATEGORIES "D", "E" AND "F":
CONFORM TO ASTM C636 AND ASTM E580.
-MINIMUM 2" WALL MOLDING
-SUSPENSION SYSTEM MUST BE ATTACHED TO TWO ADJACENT WALLS
-OPPOSITE WALLS MUST HAVE 3/4" CLEARANCE
-ENDS OF MAIN BEAMS AND CROSS TEES MUST BE TIED TOGETHER TO PREVENT THEIR SPREADING.
-HEAVY DUTY SUSPENSION SYSTEM
-CEILING AREAS OVER 1,000 SQ. FT. MUST HAVE HORIZONTAL RESISTANT WIRE OR RIGID BRACING (REFER DETAIL).
-CEILING AREAS OVER 2,500 SQ. FT. MUST HAVE SEISMIC SEPARATION JOINTS OR FULL HEIGHT PARTITIONS.
-CEILING WITHOUT RIGID BRACING MUST HAVE 2" OVERSIZED TRIM RINGS FOR SPRINKLERS AND OTHER PENETRATIONS
-CHANGES IN CEILING PLANE MUST HAVE POSITIVE BRACING.
-CABLE TRAYS AND ELECTRICAL CONDUITS MUST BE INDEPENDENTLY SUPPORTED AND BRACED.
-SUSPENDED CEILINGS WILL BE SUBJECT TO SPECIAL INSPECTIONS.
-PERIMETER SUPPORT WIRES WITHIN 8".



9 SUSPENDED CEILING SEISMIC BRACING
A4.2 NOT TO SCALE



10 FIRE EXTINGUISHER DETAIL
A4.2 SCALE: 1/2" = 1'-0"



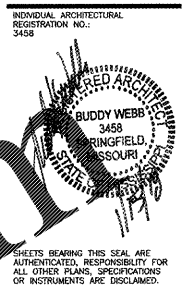
11 VENT THRU ROOF DETAIL
A4.2 NOT TO SCALE

GENERAL NOTES

- (A) REFER TO PROJECT MANUAL FOR ADDITIONAL REQUIREMENTS.
- (B) DIMENSIONS ARE TO ROUGH FACE OF CONCRETE, MASONRY, FRAMING, OR CENTER LINE OF STRUCTURE UNLESS OTHERWISE INDICATED.
- (C) REFER TO INTERIOR FINISH SCHEDULES FOR MATERIAL TYPES, COLORS AND FINISHES.

KEY NOTES

- (1) PRE-ENGINEERED METAL BUILDING STRUCTURAL STEEL COLUMN, REFER TO P.E.M.B. SHOP DRAWING FOR ADDITIONAL REQUIREMENTS AND PAINT (WHERE APPLICABLE).
- (2) 3 5/8" COLD FORM METAL FRAMING ATTACHED TO ROOF STRUCTURE. REFER TO STRUCTURAL DRAWINGS FOR FRAMING REQUIREMENTS.
- (3) 2" (20 GA.) COLD FORM METAL FRAMING AT 24" O.C., REFER TO INTERIOR FINISH SCHEDULES FOR ADDITIONAL REQUIREMENTS.
- (4) 3 5/8" COLD FORM METAL STUDS DOUBLED AT CONTROL JOINT.
- (5) 6" (20 GA.) COLD FORM METAL JOIST FRAMING AT 24" O.C..
- (6) 5/8" TYPE "X" GYPSUM BOARD. REFER TO INTERIOR WALL TYPES AND FOR ADDITIONAL REQUIREMENTS.
- (7) GYPSUM BOARD CORNER BEAD CONTINUOUS.
- (8) GYPSUM BOARD "J" MOLDING CONTINUOUS.
- (9) GYPSUM BOARD CONTINUES ONE PIECE VEE-SHAPED SLOT CONTROL JOINT (1/4" X 7/16") AT BOTH SIDES OF WALL.
- (10) FIRE TREATED 2X NAILERS OR BLOCKING.
- (11) (2) FIRE TREATED 2X NAILERS.
- (12) 1X4 WOOD TRIM (PAINT GRADE PINE) ATTACHED TO METAL STUD FRAMING WITH TECH 12 SCREWS AT 24" O.C. SET FLUSH. PAINT EXPOSED SURFACES TO MATCH WALL FINISH.
- (13) 6" UNFACED SOUND BATT INSULATION.
- (14) 3 1/2" UNFACED SOUND BATT INSULATION.
- (15) ALUMINUM WINDOW SYSTEM, REFER TO FLOOR PLAN AND WINDOW SCHEDULE FOR TYPES.
- (16) PRE-FINISHED SHEET METAL (24 GA.) COLUMN ENCLOSURE TO EXTEND THRU FINISH CEILING SYSTEM. COLOR TO MATCH WINDOW FRAMING FINISH. NO EXPOSED HORIZONTAL SEAMS PERMITTED.
- (17) SUSPENDED ACOUSTICAL CEILING SYSTEM, REFER TO INTERIOR FINISH SCHEDULE FOR TYPES AND LOCATIONS.
- (18) FINISH FLOORING AND BASE, REFER TO INTERIOR FINISH SCHEDULE FOR TYPES AND LOCATIONS.
- (19) OWNER FURNISHED AND INSTALLED FIXTURE, REFER TO INTERIOR FINISH PLAN FOR LAYOUT. (REFER TO SCOPE OF WORK SCHEDULE.)
- (20) 5/8" FIRE TREATED PLYWOOD BACKING TO BACK SIDE OF STUD INTERIOR FLANGE ON EACH EXPOSED WALL. FACE FROM 8'-0" TO 10'-0" A.F.F. FOR INSTALLATION OF SECURITY MIRRORS (OWNER FURNISHED AND INSTALLED).
- (21) PORTABLE FIRE EXTINGUISHER MOUNTED AT 42" ABOVE FINISH FLOOR TO CENTERLINE OF EXTINGUISHER. FIRE EXTINGUISHERS SHALL BE UL LISTED ABC TYPE, WITH 10 LBS. CAPACITY. MOUNTING BRACKET QUICK RELEASE TYPE. REFER TO FLOOR PLAN FOR LOCATIONS. PROVIDE BLOCKING AS REQUIRED FOR MOUNTING.



O'Reilly AUTO PARTS
CORPORATE OFFICES
233 SOUTH PATTERSON
SPRINGFIELD, MISSOURI 65802
(417) 862-2674 TELEPHONE

PROJECT:
NEW O'REILLY AUTO PARTS STORE
915 AZALEA DRIVE
WAYNESBORO, MISSISSIPPI
INTERIOR SECTIONS & DETAILS

Buddy Webb, NCARB, AIA
Architect - Consultant
3087 EAST CAIRO
SPRINGFIELD, MISSOURI 65802
(417) 877-1385 TELEPHONE
(417) 877-9736 FAX

DRAWN BY: JF
CHECKED BY: LG
DATE: 01/12/18
REVISIONS:

PROJECT NUMBER:
WSB

SHEET NUMBER:
A4.2

© COPYRIGHT 2018 - DESIGNS, DRAWINGS AND SPECIFICATIONS ARE INSTRUMENTS OF SERVICE AND ARE THE PROPERTY OF THE DESIGN PROFESSIONAL. REPRODUCTION PROHIBITED WITHOUT THE EXPRESSED WRITTEN CONSENT OF THE DESIGN PROFESSIONAL.