

GENERAL NOTES

- (A) REFER TO PROJECT MANUAL AND SCOPE OF WORK SCHEDULE FOR ADDITIONAL REQUIREMENTS.
- (B) REFER TO CIVIL, STRUCTURAL, MECHANICAL, ELECTRICAL, PLUMBING, AND PRE-ENGINEERED METAL BUILDING (P.E.M.B.) SHOP DRAWINGS FOR ADDITIONAL REQUIREMENTS.
- (C) REFER TO INTERIOR AND EXTERIOR FINISH SCHEDULES FOR MATERIAL TYPES, COLORS AND FINISHES.
- (D) DIMENSIONS ARE TO FACE OF CONCRETE, FRAMING, OR CENTER LINE OF STRUCTURE UNLESS OTHERWISE INDICATED.
- (E) NOT ALL INSULATION SHOWN FOR

KEY NOTES

- (1) PRE-ENGINEERED METAL BUILDING EXTERIOR WALL PANEL SYSTEM.
- (2) PRE-ENGINEERED METAL BUILDING PRIMARY AND SECONDARY STRUCTURAL FRAMING SYSTEMS.
- (3) PRE-ENGINEERED METAL BUILDING SHEET METAL FLASHING, COORDINATE FLASHING, CONTINUOUS CLEATS, DRIPS CLOSURES, TRANSOMES, COPINGS AND ACCESSORIES AS REQUIRED.
- (4) PRE-ENGINEERED METAL BUILDING GUTTER AND DOWNSPOUT SYSTEM. REFER TO EXTERIOR. REFER TO P.E.M.B. SHOP DRAWINGS FOR SIZES.
- (5) PRE-ENGINEERED METAL BUILDING BASE ANGLE OR GIRT WITH PANEL CLOSURE AND SEALANT SYSTEM.
- (6) PRE-ENGINEERED METAL BUILDING INTERIOR WALL LINER PANEL.
- (7) PRE-ENGINEERED METAL BUILDING ROOF PANEL SYSTEM WITH THERMAL SPACER BLOCKS (R-5 MIN.).
- (8) PRE-ENGINEERED METAL BUILDING SOFFIT PANEL SYSTEM OR FIELD FABRICATED SHEET METAL CLADDING SYSTEM TO MATCH FRONT EXTERIOR WALL PANELS. REFER TO PEMB DRAWINGS FOR REQUIREMENTS.
- (9) PRE-ENGINEERED METAL BUILDING ROOF INSULATION (R-38) LINER SYSTEM. (REFER TO SCOPE OF WORK SCHEDULE). VAPOR BARRIER OVER HIGH STRENGTH STEEL SUSPENSION STRAPS ATTACHED TO BOTTOM OF PRE-ENGINEERED METAL BUILDING ROOF PURLINS WITH (1) LAYER 8" (R-25) UN-FACED BATT INSULATION PARALLEL WITH ROOF PURLIN CAVITY AND (1) LAYER 3 1/2" (R-11) UN-FACED BATT INSULATION PERPENDICULAR OVER TOP OF ROOF PURLINS.
- (10) PRE-ENGINEERED METAL BUILDING WALL INSULATION (R-13) WITH VAPOR BARRIER SYSTEM. (REFER TO SCOPE OF WORK SCHEDULE).
- (11) BATT INSULATION (R-19) WITH FOIL FACE VAPOR BARRIER (CONTRACTOR FURNISHED AND INSTALLED).
- (12) ALUMINUM WINDOW SYSTEM. REFER TO FLOOR PLAN AND WINDOW SCHEDULES FOR TYPES.
- (13) PRE-FINISHED SHEET METAL (24 GA.) COLUMN ENCLOSURE TO EXTEND THRU FINISH CEILING SYSTEM. COLOR TO MATCH WINDOW FRAMING FINISH.
- (14) SUSPENDED ACOUSTICAL LAY - IN CEILING SYSTEM. REFER TO INTERIOR FINISH SCHEDULE FOR TYPES AND LOCATIONS.
- (15) 8" (18 GA.) COLD FORM METAL STUD FRAMING AT 24" O.C. ATTACHED TO PRE-ENGINEERED METAL BUILDING STRUCTURAL FRAMING SYSTEM. REFER TO STRUCTURAL DRAWINGS.
- (16) 5/8" TYPE "X" GYPSUM BOARD (PAINT).
- (17) SURFACE MOUNTED WALL SIGN, OWNER FURNISHED AND INSTALLED. (REFER TO SCOPE OF WORK SCHEDULE). PROVIDE BACKING AND ELECTRICAL ROUGH-IN. REFER TO ELECTRICAL DRAWINGS.
- (18) (NOT USED).
- (19) FIRE TREATED 2X BLOCKING ATTACHED TO PRE-ENGINEERED METAL BUILDING STRUCTURAL SYSTEM.
- (20) (NOT USED).
- (21) RECESSED LIGHTING FIXTURE. REFER TO ELECTRICAL DRAWINGS FOR TYPE AND LOCATION.
- (22) FLOORING AND BASE. REFER TO INTERIOR FINISH SCHEDULE FOR TYPES AND LOCATIONS.
- (23) 3 5/8" (20 GA.) COLD FORM METAL STUD FRAMING AT 24" O.C. REFER TO FLOOR PLAN AND INTERIOR WALL TYPES.
- (24) (NOT USED).
- (25) PRE-ENGINEERED METAL BUILDING TRANSITION SUPPORT BENT PLATE.
- (26) DOOR AND FRAME SYSTEM. REFER TO FLOOR PLAN AND SCHEDULES FOR TYPES.
- (27) FINISH LAWN, PAVEMENT OR SIDEWALK. SLOPE TO DRAIN AWAY FROM BUILDING. REFER TO CIVIL DRAWINGS.

Reilly AUTO PARTS
CORPORATE OFFICES
233 SOUTH PATTERSON
SPRINGFIELD, MISSOURI 65802
(417) 882-2674 TELEPHONE

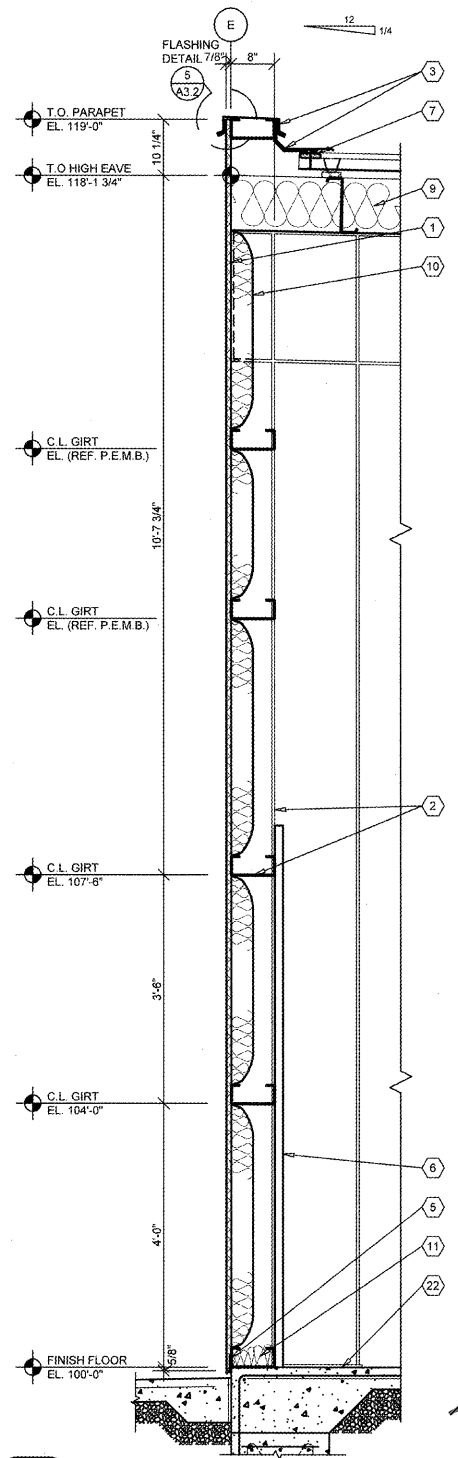
PROJECT:
NEW O'REILLY AUTO PARTS STORE
915 AZALEA DRIVE
WAYNESBORO, MISSISSIPPI

Buddy Webb, NCARB, AIA
Architect - Consultant
3057 EAST CAIRO
SPRINGFIELD, MISSOURI 65802
(417) 877-1385 TELEPHONE
(417) 877-9736 FAX

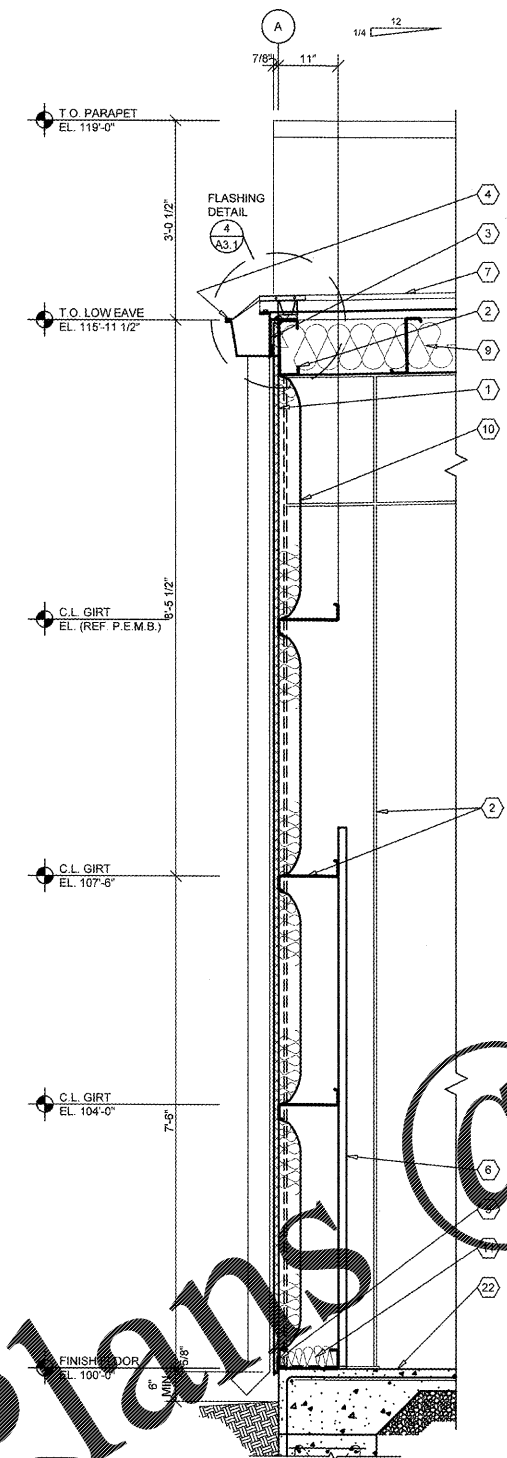
DRAWN BY: JF
CHECKED BY: LG
DATE: 01/12/18
REVISION:
PROJECT NUMBER: WSB
SHEET NUMBER:

A3.2

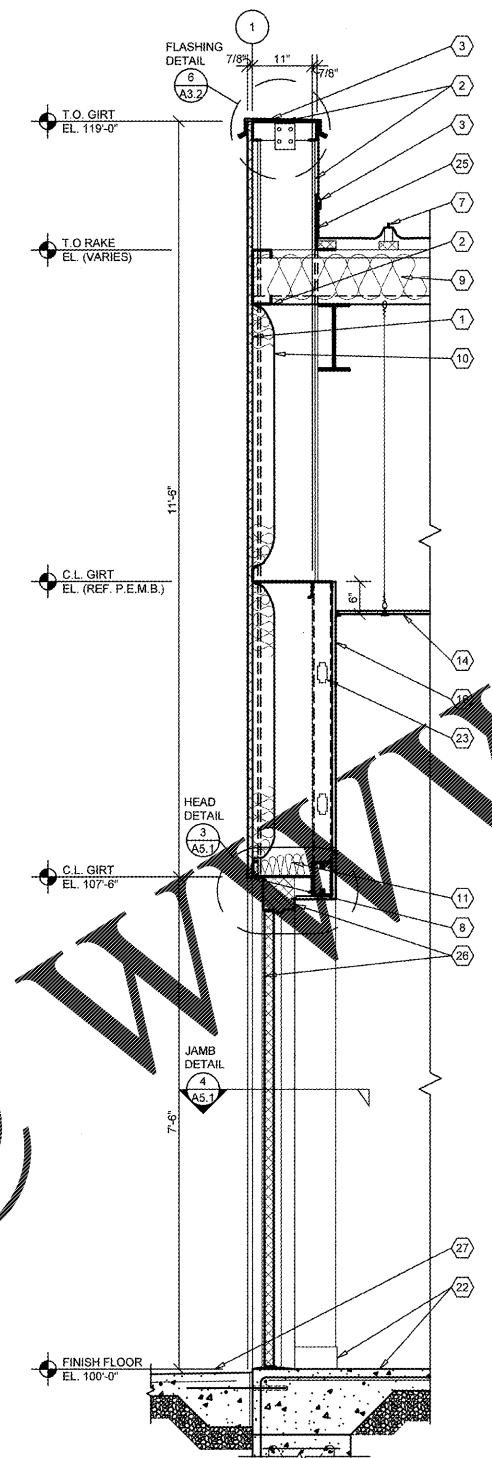
NOTE:
REFER TO STRUCTURAL DRAWINGS FOR FOOTINGS, FOUNDATIONS, SLABS AND REINFORCEMENT.



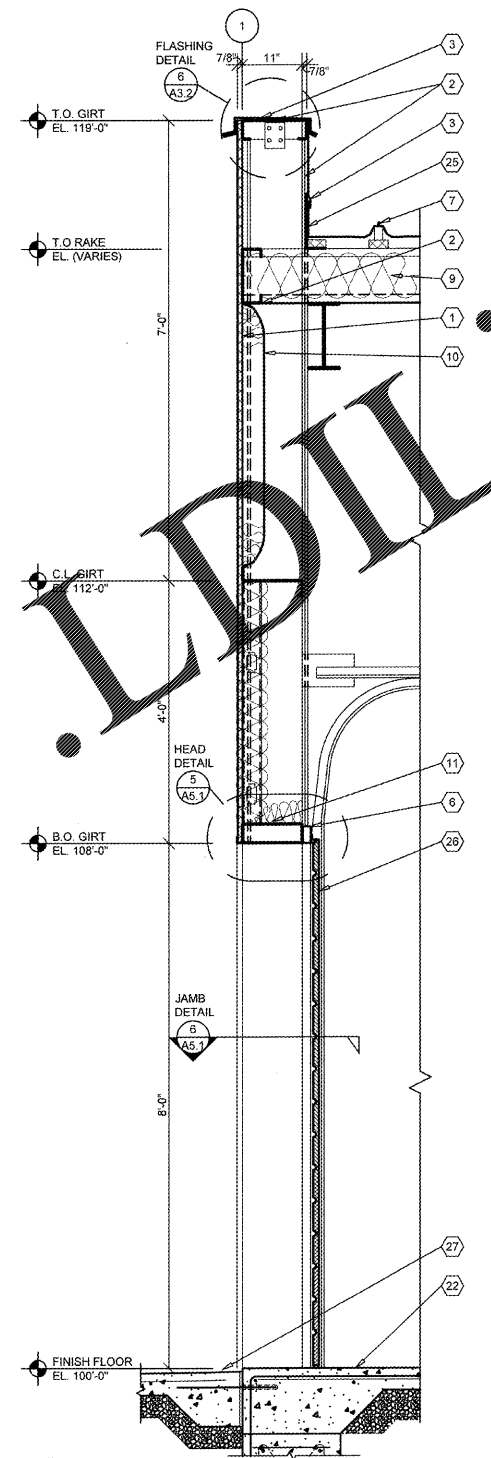
1 WALL SECTION
A3.2 SCALE: 3/4" = 1'-0"



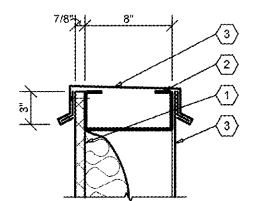
2 WALL SECTION
A3.2 SCALE: 3/4" = 1'-0"



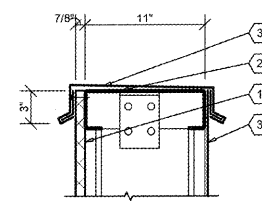
3 WALL SECTION
A3.2 SCALE: 3/4" = 1'-0"



4 WALL SECTION
A3.2 SCALE: 3/4" = 1'-0"



5 SECTION
A3.2 SCALE: 1 1/2" = 1'-0"



6 SECTION
A3.2 SCALE: 1 1/2" = 1'-0"

Order Plans @

WWW.LDILLING.COM

REPRODUCTION PROHIBITED WITHOUT THE EXPRESSED WRITTEN CONSENT OF THE DESIGN PROFESSIONAL. COPYRIGHT 2018 - DESIGNS, DRAWINGS AND SPECIFICATIONS ARE INSTRUMENTS OF SERVICE AND ARE THE PROPERTY OF THE DESIGN PROFESSIONAL.