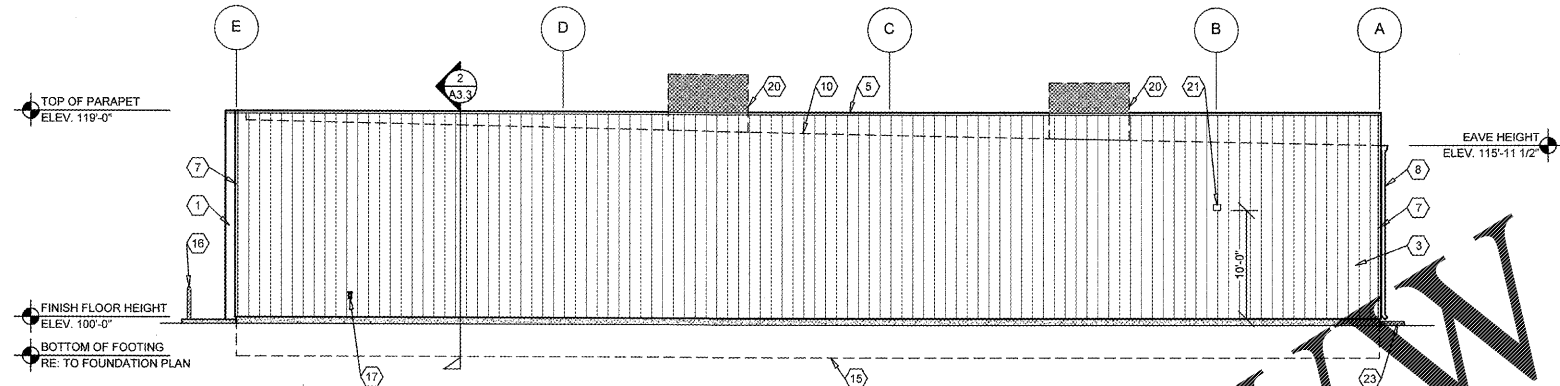


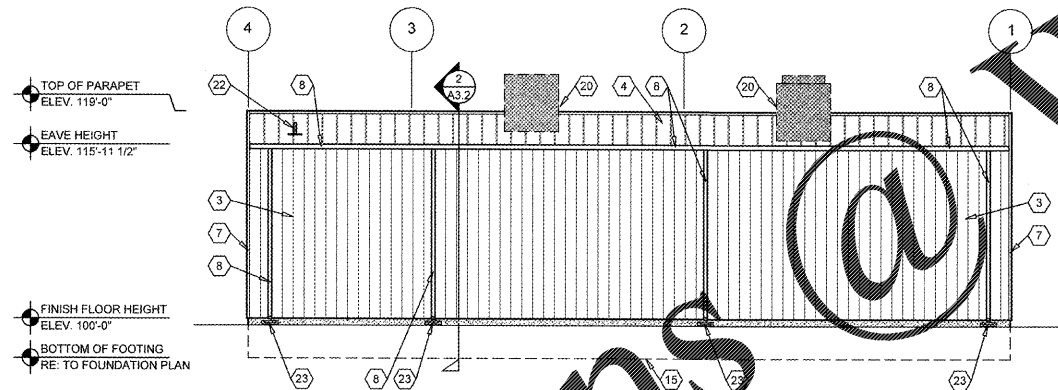
1 FRONT EXTERIOR ELEVATION

A2.1 SCALE: 1/8" = 1'-0"



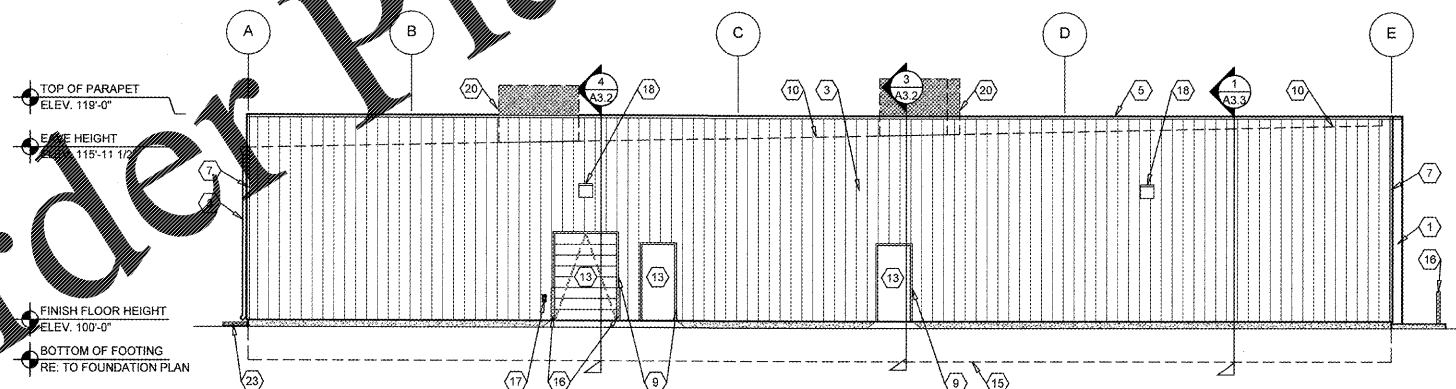
2 RIGHT EXTERIOR ELEVATION

A2.1 SCALE: 1/8" = 1'-0"



3 REAR EXTERIOR ELEVATION

A2.1 SCALE: 1/8" = 1'-0"



4 LEFT EXTERIOR ELEVATION

A2.1 SCALE: 1/8" = 1'-0"

EXTERIOR FINISH SCHEDULE

PRE-ENGINEERED METAL BUILDING WALL PANEL SYSTEMS
KEY NOTE NO. 1:
 TYPE: EXTERIOR WALL PANEL (TYPE 1)
 MFG: (REFER TO PRE-ENGINEERED METAL BUILDING SHOP DRAWINGS)
 SERIES: EQUAL TO BUTLER BUILDING "STYLWALL"
 FINISH: PREFINISHED
 COLOR: EQUAL TO SHERWIN WILLIAMS "POSITIVE RED" SW6871 GLOSS

KEY NOTE NO. 2:
 TYPE: EXTERIOR WALL PANEL (TYPE 2)
 MFG: (REFER TO PRE-ENGINEERED METAL BUILDING SHOP DRAWINGS)
 SERIES: EQUAL TO BUTLER BUILDING "STYLWALL"
 FINISH: PREFINISHED
 COLOR: EQUAL TO BUTLER BUILDING "COOL BIRCH WHITE"

KEY NOTE NO. 3:
 TYPE: EXTERIOR WALL PANEL (TYPE 3)
 MFG: (REFER TO PRE-ENGINEERED METAL BUILDING SHOP DRAWINGS)
 SERIES: EQUAL TO BUTLER BUILDING "SHADOWALL"
 FINISH: PREFINISHED
 COLOR: EQUAL TO BUTLER BUILDING "COOL BIRCH WHITE"

FLASHING AND SHEET METAL
KEY NOTE NO. 4:
 TYPE: STANDING SEAM ROOFING SYSTEM
 MFG: (REFER TO PRE-ENGINEERED METAL BUILDING SHOP DRAWINGS)
 COLOR: GALVALUME

KEY NOTE NO. 5:
 TYPE: CAP FLASHING AT WALL PANELS (TYPE 1 AND TYPE 3)
 MFG: (REFER TO PRE-ENGINEERED METAL BUILDING SHOP DRAWINGS)
 FINISH: PREFINISHED
 COLOR: EQUAL TO BUTLER BUILDING "COOL BIRCH WHITE"

KEY NOTE NO. 6:
 TYPE: FLASHING AT WALL PANELS (TYPE 2)
 MFG: (REFER TO PRE-ENGINEERED METAL BUILDING SHOP DRAWINGS)
 FINISH: PREFINISHED
 COLOR: SHERWIN WILLIAMS "POSITIVE RED" SW6871 (SHER-CRYL) GLOSS WITH SHERWIN WILLIAMS "THRECOMPONENT (B65V105 / B65V105 / B65C106) CLEAR URETHANE"

KEY NOTE NO. 7:
 TYPE: WALL PANEL TRIM
 MFG: (REFER TO PRE-ENGINEERED METAL BUILDING SHOP DRAWINGS)
 FINISH: PREFINISHED
 COLOR: EQUAL TO BUTLER BUILDING "COOL BIRCH WHITE"

KEY NOTE NO. 8:
 TYPE: GUTTER AND DOWNSPOUTS
 MFG: (REFER TO PRE-ENGINEERED METAL BUILDING SHOP DRAWINGS)
 FINISH: PREFINISHED
 COLOR: EQUAL TO BUTLER BUILDING "COOL BIRCH WHITE"

KEY NOTE NO. 9:
 TYPE: DOOR TRIM
 MFG: (REFER TO PRE-ENGINEERED METAL BUILDING SHOP DRAWINGS)
 FINISH: PREFINISHED
 COLOR: EQUAL TO BUTLER BUILDING "COOL BIRCH WHITE"

DOORS AND WINDOWS
KEY NOTE NO. 13:
 TYPE: STEEL DOORS AND FRAMES (DOORS NO. 2, 3, AND 7)
 MFG: (OWNER FURNISHED / CONTRACTOR INSTALLED)
 FINISH: FACTORY PRIMED / FIELD PAINT
 COLOR: SHERWIN WILLIAMS "SOFTER TAN" SW6141 (SEMI-GLOSS)

KEY NOTE NO. 14:
 TYPE: (REFER TO WINDOW SCHEDULE)
 MFG: EFCO, KAWNEER, OR OLD CASTLE (VISTA WALL), (NO SUBSTITUTES)
 FINISH: PREFINISHED
 COLOR: EFCO "IVY", KAWNEER "DARK IVY", VISTA WALL "INTERSTATE GREEN"

PAINTING
KEY NOTE NO. 16:
 TYPE: STEEL BOLLARDS (REFER TO CIVIL DRAWINGS)
 FINISH: FIELD PRIME AND PAINT
 COLOR: SHERWIN WILLIAMS "HUNT CLUB" SW6468 (SEMI-GLOSS)

GENERAL NOTES

- (A) REFER TO PROJECT MANUAL FOR ADDITIONAL REQUIREMENTS.
- (B) REFER TO CIVIL DRAWINGS FOR ADDITIONAL REQUIREMENTS.
- (C) REFER TO PLUMBING, MECHANICAL, AND ELECTRICAL DRAWINGS FOR SYSTEM TYPES AND ADDITIONAL REQUIREMENTS.
- (D) REFER TO EXTERIOR FINISH SCHEDULE FOR MATERIAL TYPES.
- (E) REFER TO PRE-ENGINEERED METAL BUILDING SHOP DRAWINGS FOR ADDITIONAL REQUIREMENTS.
- (F) REFER TO SCOPE OF WORK SCHEDULE FOR ADDITIONAL REQUIREMENTS.

KEY NOTES

- 1 PRE-ENGINEERED METAL BUILDING EXTERIOR WALL PANEL SYSTEM (TYPE 1)
- 2 PRE-ENGINEERED METAL BUILDING EXTERIOR WALL PANEL SYSTEM (TYPE 2)
- 3 PRE-ENGINEERED METAL BUILDING EXTERIOR WALL PANEL SYSTEM (TYPE 3)
- 4 PRE-ENGINEERED METAL BUILDING SHEET METAL ROOFING SYSTEM
- 5 PRE-ENGINEERED METAL BUILDING SHEET METAL FLASHING WITH 3" VERTICAL FACE (AT TYPE 2 AND TYPE 3 WALL PANELS)
- 6 PRE-ENGINEERED METAL BUILDING SHEET METAL FLASHING WITH 3" VERTICAL FACE (AT TYPE 1 WALL PANELS)
- 7 PRE-ENGINEERED METAL BUILDING SHEET METAL WALL PANEL TRIM
- 8 PRE-ENGINEERED METAL BUILDING SHEET METAL GUTTER AND DOWNSPOUT SYSTEM
- 9 PRE-ENGINEERED METAL BUILDING SHEET METAL DOOR TRIM
- 10 LINE OF ROOF BEYOND WITH 1/4":12" SLOPE MINIMUM
- 11 SURFACE MOUNTED SIGN OWNER FURNISHED AND INSTALLED. PROVIDE BACKING FOR MOUNTING AND ROUGH-IN ELECTRICAL COORDINATE REQUIREMENTS WITH OWNER. REFER TO SHEET SG2.1.
- 12 BUILDING ADDRESS NUMBERS IN 6" HIGH HELVETICA WHITE VINYL ADHERED TO EXTERIOR FACE OF GLAZING.
- 13 EXTERIOR DOOR AND FRAME SYSTEM. REFER TO FLOOR PLAN AND DOOR SCHEDULE FOR TYPES.
- 14 EXTERIOR WINDOW SYSTEM. REFER TO FLOOR PLAN AND WINDOW SCHEDULE FOR TYPES.
- 15 APPROXIMATE LINE OF FOUNDATION. REFER TO STRUCTURAL DRAWINGS.
- 16 STEEL BOLLARDS. REFER TO CIVIL AND STRUCTURAL DRAWINGS.
- 17 HOSE BIB. REFER TO PLUMBING DRAWINGS.
- 18 LIGHT FIXTURE. REFER TO ELECTRICAL DRAWINGS.
- 19 (NOT USED).
- 20 MECHANICAL ROOF TOP UNIT. REFER TO MECHANICAL DRAWINGS.
- 21 MECHANICAL WALL PENETRATIONS. REFER TO MECHANICAL DRAWINGS. PROVIDE FRAMING, FLASHING, AND SEALANT AS REQUIRED.
- 22 PLUMBING ROOF VENT. REFER TO PLUMBING DRAWINGS AND DETAIL 11/A4.2.
- 23 CONCRETE SPLASH BLOCK INSTALL AT EACH DOWNSPOUT.



O'Reilly AUTO PARTS
 CORPORATE OFFICES
 233 SOUTH PATTERSON
 SPRINGFIELD, MISSOURI 65802
 (417) 862-2674 TELEPHONE

PROJECT:
 NEW O'REILLY AUTO PARTS STORE
 915 AZALEA DRIVE
 WAYNESBORO, MISSISSIPPI

Buddy Webb, NCARB, AIA
Architect - Consultant
 3057 EAST CAIRO
 SPRINGFIELD, MISSOURI 65802
 (417) 877-1385 TELEPHONE
 (417) 877-9736 FAX

DRAWN BY: JF CHECKED BY: LG
 DATE: 01/12/18
 REVISION:
 PROJECT NUMBER: WSB
 SHEET NUMBER:

A2.1

Order Plans @ WWW.DOLLINGONLINE.COM

© COPYRIGHT 2018 - DESIGNS, DRAWINGS AND SPECIFICATIONS ARE INSTRUMENTS OF SERVICE AND ARE THE PROPERTY OF THE DESIGN PROFESSIONAL. REPRODUCTION PROHIBITED WITHOUT THE EXPRESSED WRITTEN CONSENT OF THE DESIGN PROFESSIONAL.