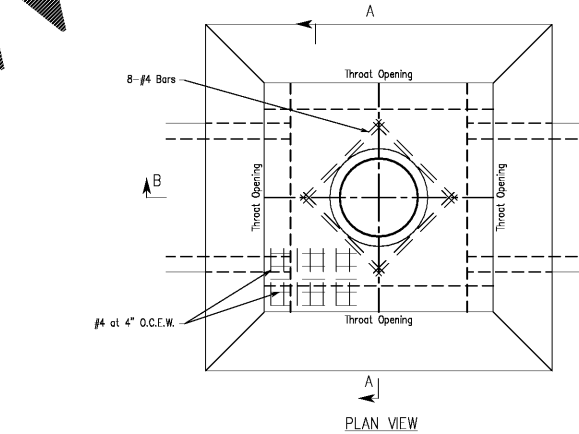
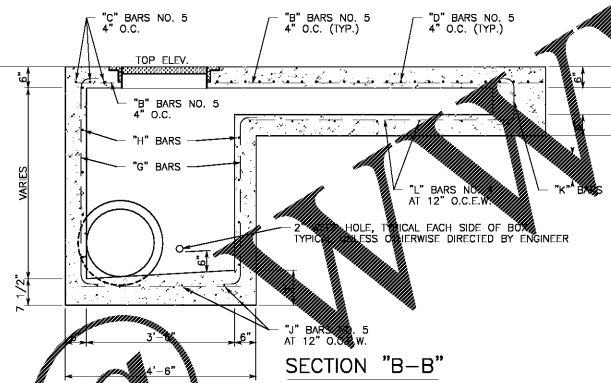
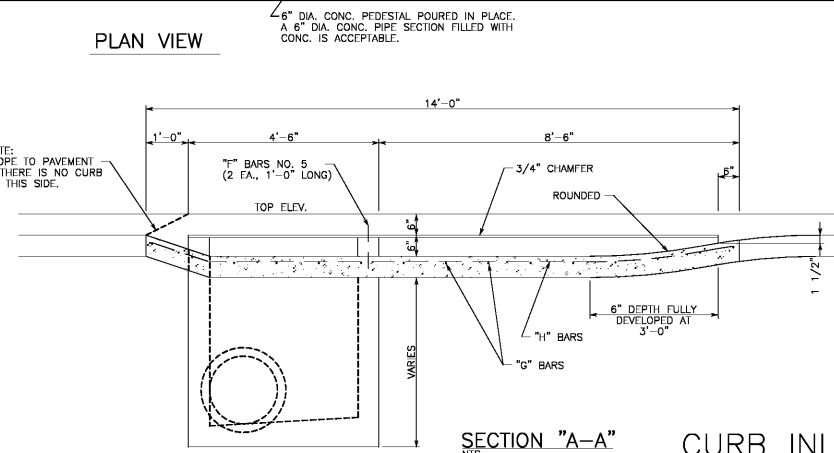
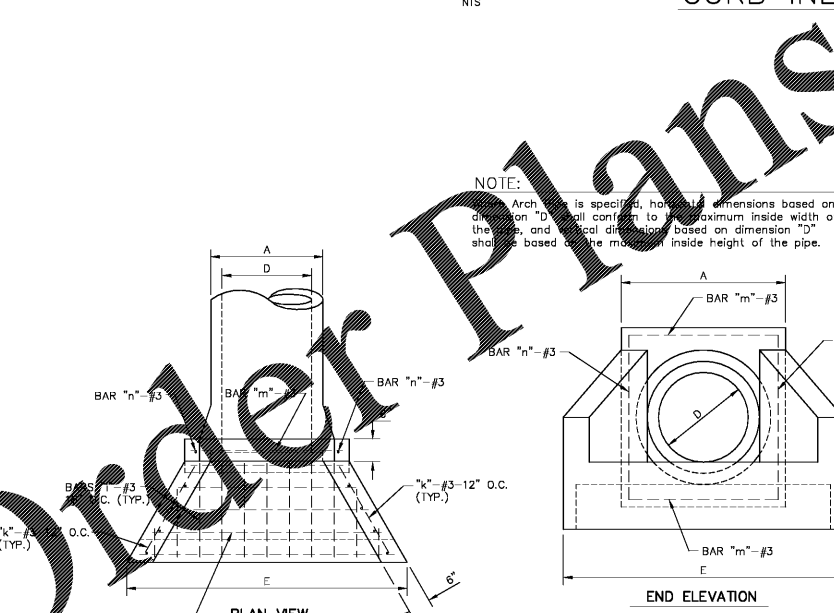
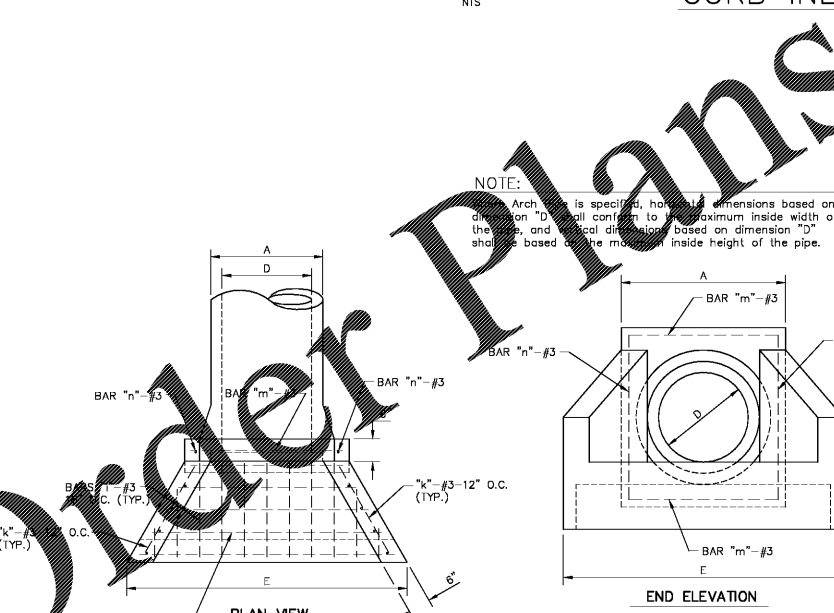
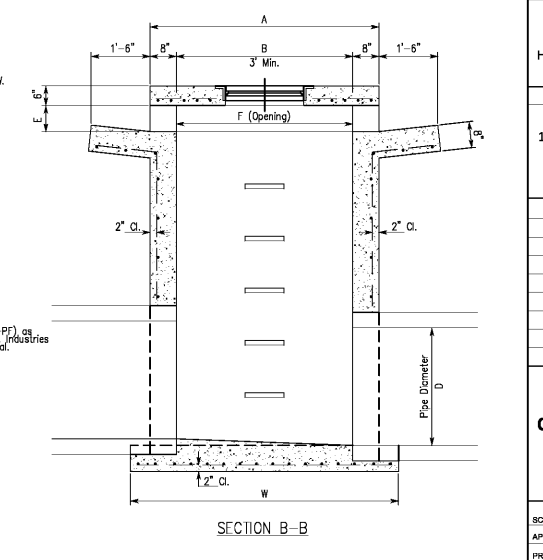
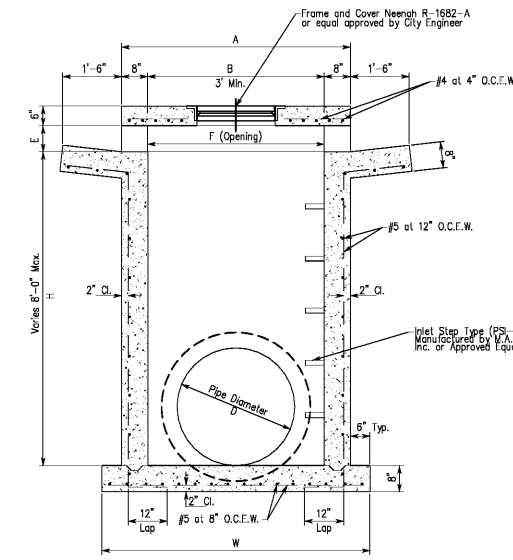
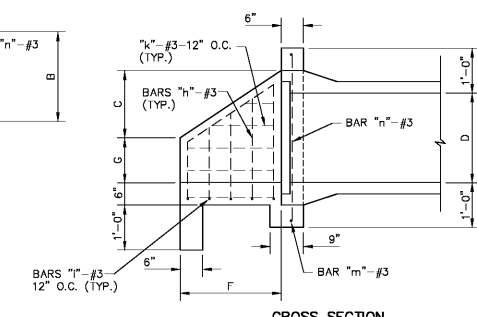
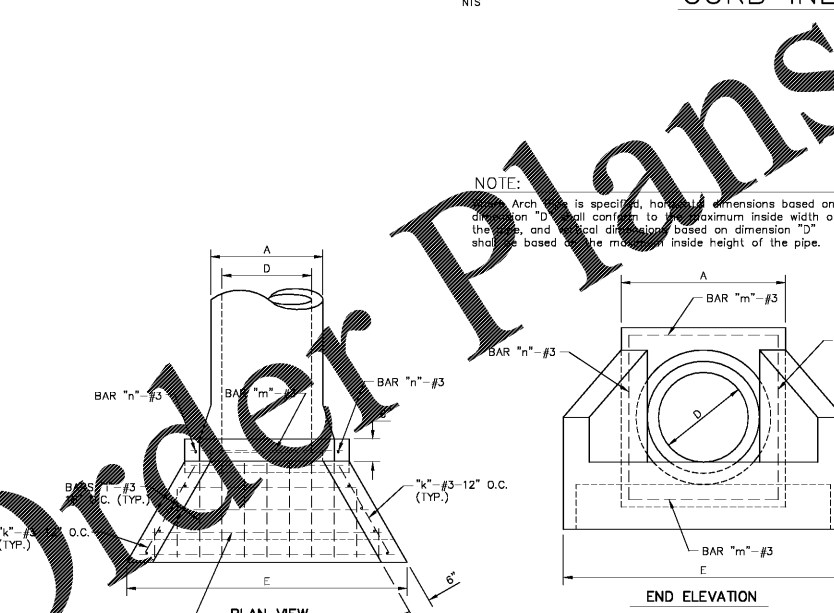


Pipe Size	A	B	C	D	E	W
12"	4'-6"	3'-0"	12"	6"	5'-4"	
15"	4'-6"	3'-0"	15"	6"	5'-4"	
18"	4'-6"	3'-0"	18"	6"	5'-4"	
21"	4'-6"	3'-2"	21"	6"	5'-6"	
24"	4'-9"	3'-5"	24"	6"	5'-9"	
30"	5'-4"	4'-0"	30"	8"	6'-4"	
36"	5'-10"	4'-6"	36"	8"	6'-10"	



- NOTES**
- Dimension "A" is determined by the largest diameter pipe entering the Open Throat Inlet.
 - Steps are required on all inlets when dimension from bottom slab flow line to top of top slab is greater than 4'-0".
 - All concrete shall be class "A" and shall develop a minimum compressive strength of 3500 PSI in 28 days.
 - Reinforcing shall be intermediate grade deformed bars and shall conform to the requirements of the Standard Specifications for billet steel concrete reinforcement bars, ASTM A-15 and deformations conforming to ASTM A-305.
 - When brick construction is used, walls will be 8" brick when "D" is less than 5'-0". Use 12" brick when "D" is more than 5'-0". Floor with 1/2" mortar on both sides.
 - Provide concrete apron at throat openings.

SINGLE HEADWALL DIMENSIONS						
D	A	B	C	E	F	G
12"	2'-11"	2'-3"	1'-3"	5'-1"	1'-10.5"	0'-6"
15"	2'-11"	2'-3"	1'-3"	5'-1"	1'-10.5"	0'-6"
18"	3'-2"	2'-6"	1'-3"	5'-4"	1'-10.5"	0'-9"
21"	3'-5"	2'-9"	1'-3"	5'-7"	1'-10.5"	1'-0"
24"	3'-8"	3'-0"	1'-6"	6'-3"	2'-3"	1'-0"
30"	4'-2"	3'-6"	2'-0"	7'-8"	3'-0"	1'-0"
36"	4'-8"	4'-0"	2'-6"	9'-0"	3'-9"	1'-0"
42"	5'-2"	4'-6"	3'-0"	10'-4"	4'-8"	1'-6"
48"	5'-8"	5'-0"	3'-6"	11'-8"	5'-5"	1'-6"



SECTION A-A OPEN THROAT INLET DETAILS

CONCRETE HEADWALL PAVED ENDWALL

Order Plans

"n" - #3 - 10' O.C. BENT UP VERT. INTO WINGS (TYP.)

SCALE: NIS
APPROVED BY: JRI
PROJECT NO.: 17-105
DATE: 12/29/17
SHEET NUMBER
C6.2 OF C6.6

LEGACY AT JONES FARM PHASE 2

CLIENT: RBJ BAILEY, LLC
PO BOX 2545
HUNTSVILLE, AL 35804
SITE ADDRESS: 1 LEGACY FARM DR SE
HUNTSVILLE, AL 35802
REVISIONS:
SHEET TITLE: CONSTRUCTION DETAILS
SCALE: NIS
APPROVED BY: JRI
PROJECT NO.: 17-105
DATE: 12/29/17
SHEET NUMBER: C6.2 OF C6.6

www.jonesfarm.com

ALABAMA REGISTERED PROFESSIONAL ENGINEER
LEGACY AT JONES FARM PHASE 2
PRICE, P.C.
CONSULTING ENGINEERS
1000 UNIVERSITY BLVD., SUITE 200, HUNTSVILLE, AL 35893
TEL: 256-837-2200 FAX: 256-837-2201
WWW.PRICEPC.COM

LEGACY AT JONES FARM PHASE 2