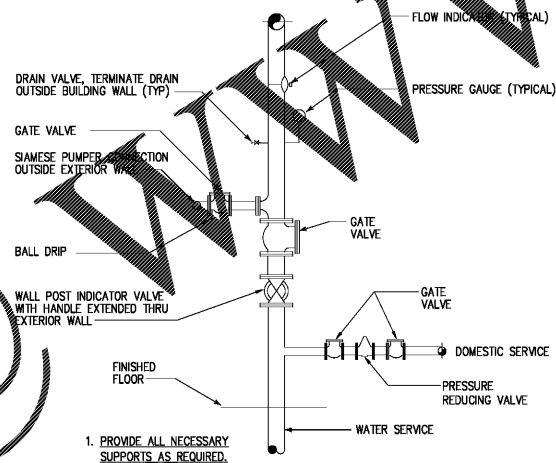


PLUMBING NOTES AND SPECIFICATIONS

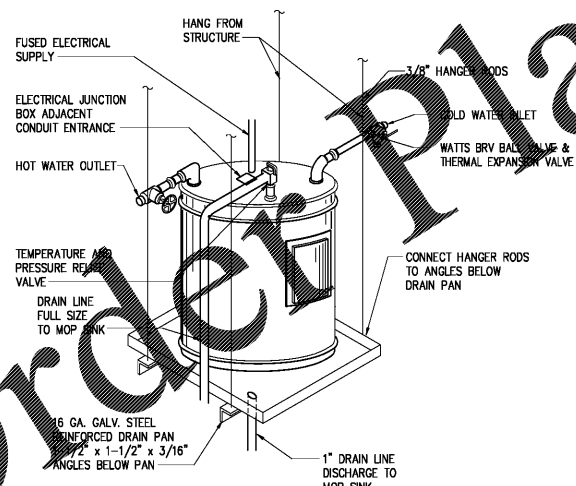
- FURNISH ALL LABOR, MATERIAL, AND EQUIPMENT REQUIRED FOR A COMPLETE PLUMBING SYSTEM IN ACCORDANCE WITH ALL NATIONAL, STATE, AND LOCAL CODES.
- FURNISH AND INSTALL ALL SYSTEMS OF SOIL, WASTE, AND VENT PIPING, HOT & COLD WATER PIPING, AND DRAINAGE PIPING INCLUDING ALL FITTINGS, VALVES, ETC. AS REQUIRED.
- FURNISH AND INSTALL ALL PLUMBING FIXTURES AND EQUIPMENT AS SHOWN ON THE DRAWINGS.
- ALL PLUMBING WORK SHALL BE DONE UNDER THE SUPERVISION OF AND BY LICENSED AND QUALIFIED PLUMBERS PER ALL LOCAL, STATE, AND NATIONAL CODES AND TO THE COMPLETE SATISFACTION OF THE LOCAL PLUMBING INSPECTOR.
- SUBMISSION OF A BID OR PROPOSAL SHALL BE CONSTRUED AS EVIDENCE THAT THE CONTRACTOR HAS FAMILIARIZED HIMSELF WITH THE PLANS, SPECIFICATIONS, AND BUILDING SITE. CLAIMS MADE SUBSEQUENT TO BIDS FOR MATERIALS AND/OR LABOR DUE TO DIFFICULTIES ENCOUNTERED WILL NOT BE RECOGNIZED, UNLESS DIFFICULTIES COULD NOT HAVE BEEN FORESEEN EVEN THOUGH PROPER EXAMINATION HAD BEEN MADE.
- CONTRACTOR SHALL BE RESPONSIBLE FOR ALL UTILITY CONNECTIONS AND SHALL BEAR ALL COSTS OF INSTALLING NEW WATER METER.
- ALL MATERIALS SHALL BE NEW, CLEAN, AND WITHOUT DEFECTS. ANY DEFECTIVE MATERIALS SHALL BE REMOVED FROM THE JOB SITE.
- ALL PLUMBING PIPING SHALL BE CONCEALED WITHIN THE BUILDING STRUCTURE AND ABOVE DROP CEILINGS.
- ALL HOT AND COLD WATER PIPING SHALL BE COPPER TYPE "L".
- ALL COPPER DOMESTIC PIPING SHALL HAVE SOLDER JOINTS, 95-5 NO-LEAD SOLDER, AND SUPPORTED ADEQUATELY FROM STRUCTURE WITH SPLIT RING HANGERS.
- COLD WATER PIPING IN UNCONDITIONED SPACES AND ALL HOT WATER PIPING SHALL BE INSULATED WITH R-5 PRE-FORMED FOAM PIPE INSULATION BY IMCLOCK. INSULATE FITTINGS WITH MITERED SECTIONS.
- SANITARY, WASTE, AND VENT PIPING ABOVE GRADE SHALL BE NO-HUB CAST IRON OR ASTM D2665-81 PVC SCHEDULE 40 PIPE.
- CLEANOUT PLUGS SHALL BE INSTALLED IN ACCORDANCE WITH PLUMBING CODE REQUIREMENTS AT EACH CHANGE IN DIRECTION & AT THE BASE OF EACH SANITARY STACK. CLEANOUTS SHALL BE PLACED IN READILY ACCESSIBLE LOCATIONS.
- PROVIDE VALVES IN DOMESTIC WATER SYSTEM TO CUT-OFF WATER SERVICE MAIN INSIDE THE BUILDING, AT EACH WALL HYDRANT, AND TO ISOLATE EACH FIXTURE IN THE BUILDING.
- PROVIDE BACK-FLOW PREVENTER AND SHUT-OFF VALVES AT WATER METER, OR AS SHOWN, WATTS SERIES 009 WITH DRAIN TO OUTSIDE.
- PROVIDE WATER PRESSURE REDUCING VALVE WATTS USB. (SET AT 60 PSIG).
- INSULATE ALL EXPOSED PIPING UNDER HANDICAPPED LAVATORIES WITH TRU-BRO.
- FIRESTOPS SHALL BE PROSET "FIRESTOP PENETRATORS."
- PROVIDE WATTS MODEL 15 WATER HAMMER ARRESTORS WHERE QUICK CLOSING VALVES ARE UTILIZED.
- UPON COMPLETION OF THE WORK, TEST ALL PIPING SYSTEMS AS FOLLOWS:
 - DRAINAGE SYSTEMS INCLUDING SANITARY SEWERS, ROOF DRAINAGE, AND SANITARY VENTS: PLUG LOW POINTS OF SYSTEM AND FILL WITH WATER TO UPPERMOST OUTLET UP TO TWELVE (12) FEET HIGH, WHICHEVER IS LOWER. LET SYSTEM STAND FULL OF WATER WITH NO INDICATIONS OF LEAKS.
 - DOMESTIC HOT AND COLD WATER: 150 PSIG HYDROSTATIC TEST. HOLD HYDROSTATIC TESTS FOR A MINIMUM OF EIGHT (8) HOURS WITHOUT LOSS OF PRESSURE. HOLD AIR TESTS FOR A MINIMUM OF ONE HOUR WITHOUT SIGNIFICANT LOSS OF PRESSURE. WITH APPROVAL OF ARCHITECT, AIR TESTING MAY BE SUBSTITUTED FOR HYDROSTATIC TESTING IN FREEZING WEATHER.
- RETESTING: RETEST PIPING FAILING INITIAL TESTS FOLLOWING CORRECTION OF DEFECTIVE WORK. REQUIREMENTS OF INITIAL TESTS SHALL APPLY.

PLUMBING FIXTURES

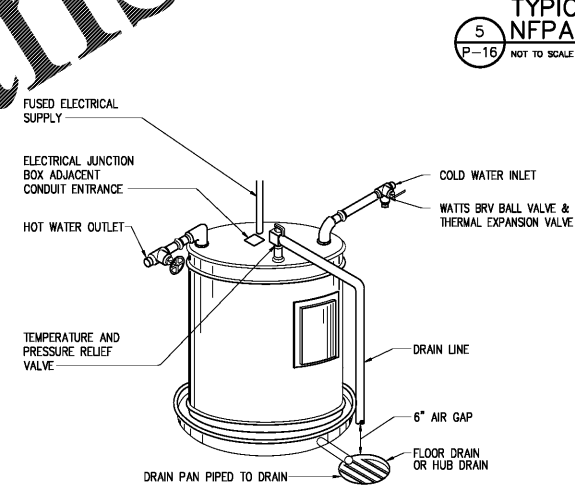
- | | | | |
|-------|--|------|--|
| WC-1 | Water Closet - Floor Mounted - Tank type - Proflo PF6112MH tank & PF1500WH bowl with PF15E1000WH seat. Toilet uses 1.28 GPF. | BT | Bathtub - Sterling 71101112 (60"x36"). Proflo PF3001 valve & PF5611SBN trim. |
| WC-2 | Water Closet - Floor Mounted - Tank type - Handicapped - Proflo PF6112MH tank & PF1503WH ADA bowl with PF15E2000WH seat. Toilet uses 1.28 GPF. Handle shall be installed on wide side of toilet. | BT-1 | Bathtub - Handicapped - Sterling 711211120 (60"x32"). Delta R10000-UNWS pressure balancing valve with trim package T13H253 single lever tub and shower valve, grab bars & slide guide for shower head. Shower head flow rate is 1.5 GPM. |
| LAV-1 | Lavatory - Wall Hung - Proflo PF5514WH sink with PFWS1002M faucet. | HB-1 | Hose Bibb - Freezless - Zurn Z21320C |
| LAV-2 | Lavatory - Countertop - Proflo PF19164WH sink with PF5514WH faucet. | HB-2 | Hose Bibb - Woodford U75M freeless yard hydrant with anti-siphon vacuum breaker and self draining design. Secure to wall of compactor. |
| KS-1 | Kitchen Sink - Countertop - Proflo PFSR32284 sink with PFXC411BN faucet. | WMB | Washing Machine Box - Water-Tite Model 4512 & MMB-1 with compression brass fittings. |
| KS-2 | Kitchen Sink - Countertop - Elkay LRS3122 sink with Proflo PFXC411BN faucet. | FD | Floor Drain - Proflo PF42840 |
| KS-3 | Kitchen Sink - Countertop - Elkay LRAD3122 sink with Proflo PFXC411BN faucet. Bowl depth is 6". | FCO | Floor Cleanout - Joy R. Smith 4025-PB-U |
| WH-A | Water Heater - Electric - Bradford White RE240L6 with 38 gallon storage with an electric input of 4,500 watts, 208 volt single phase (or compatible) service. Unit shall have adjustable thermostat for each heating element. Tank shall be insulated with 2" thick fiberglass insulation and metal jacket. Watts LFBRV combination ball valve & thermal expansion valve to be installed. Energy Factor is 0.95. | WCO | Wall Cleanout - Joy R. Smith 4422-U |
| WH-B | Water Heater - Electric - Bradford White RE250L6 with 47 gallon storage with an electric input of 4,500 watts, 208 volt single phase (or compatible) service. Unit shall have adjustable thermostat for each heating element. Tank shall be insulated with 2" thick fiberglass insulation and metal jacket. Watts LFBRV combination ball valve & thermal expansion valve to be installed. Energy Factor is 0.95. | TP | Trap Primer - Proflo PPF2500 |
| WH-C | Water Heater - Electric - Chronomite Model SR-30 capable of 42F temperature rise at 1.0 GPM with 6.24 KW electrical input at 208 volt. | IM | Ice Maker Connection - Water-Tite 9000 |
| WH-D | Water Heater - Electric - Bradford White RE120L6 with 19 gallon storage with an electric input of 4,500 watts, 208 volt single phase (or compatible) service. Unit shall have adjustable thermostat for each heating element. Tank shall be insulated with 2" thick fiberglass insulation and metal jacket. Watts LFBRV combination ball valve & thermal expansion valve to be installed. | HD | Hub Drain - Zurn Z400U |
| SP | Sump Pump - Zoeller 940-0006 submersible pump with Oil Smart pump switch & panel. Route 1-1/2" discharge to drain. Pump is 4/10 HP. | GD | Garbage disposal - In-Sink-Erator |
| | | DSS | Dishwasher Drain & Supply - Brass Craft 36-E11 |
| | | DW | Dog Wash - Edemco ED-F675SS stainless steel tub with ED-F676SS faucet kit which includes faucet, hose, sprayer, sprayer hook tray, drain and hair trap. |
| | | BP | Booster Pump - Hyfab MVP-850-208 with a 4" header that provides up to 60 feet of head at 300 GPM. Pump is a duplex with (2) 5 HP pumps. Provide with FX-60V hydro-pneumatic tank. Pumps are 208 volt 3 phase. |
| | | EWC | Electric Water Cooler - Wall Hung Hi-Low - Acorn A112108F with self closing front & side pressbars. |
| | | UR | Urinal - Wall Hung - Handicapped - Proflo PF1805WH white vitreous china washout urinal, 3/4" inlet spud and outlet threaded 2" inside. Sloan 186-1 XL flush valve. Mount rim at 17" to lip from finished floor. |
| | | RD | Roof Drain - Joy R. Smith 1800 combination roof drain & overflow drain. |



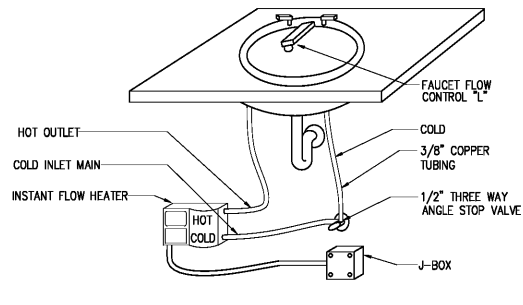
BACKFLOW PREVENTER LOCATED IN OUTDOOR VAULT
5
 TYPICAL ELEVATION
 NFPA 13 SPRINKLER RISER
 P-16 NOT TO SCALE



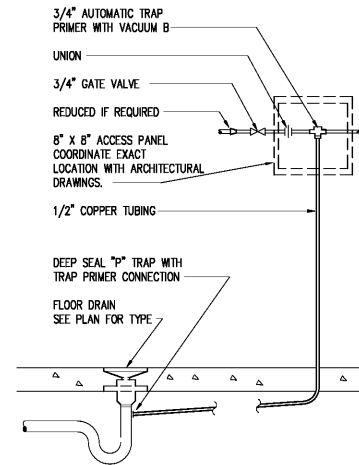
1
 ELECTRIC WATER HEATER
 P-16 NOT TO SCALE



2
 ELECTRIC WATER HEATER
 P-16 NOT TO SCALE



3
 INSTANTANEOUS WATER HEATER
 P-16 NOT TO SCALE



4
 AUTOMATIC TRAP PRIMER
 P-16 NOT TO SCALE

Order Plans

@

WWW.LDILine.com



PUCCIANO & ENGLISH, INC.
ARCHITECTS, AIA
 3084 MERCER UNIVERSITY DRIVE, SUITE 110
 ATLANTA, GA 30341
 PH 770-457-0623, FAX 770-451-0092
 web@puciano-english.com



JOB No: 1701
 DRAWN BY: RK
 CHECK BY: RK
 JOB PROGRESS:
 ITEM DATE
 PRICING SET 07-14-2017
 PERMIT SET 02-26-2018

REVISIONS:
 DATE NO.

This drawing, as an instrument of service, is and shall remain the property of the architect and shall not be reproduced, published or used in any way without the permission of the architect.

Legacy at Jones Farm Phase 2
 HUNTSVILLE, ALABAMA
 AN APARTMENT COMMUNITY FOR
RBJ BAILEY, LLC

PLUMBING
 NOTES & DETAILS
 SHEET NO.