

1 SECTION
S1.5
SCALE: 3/4" = 1'-0"

2 SECTION
S1.5
SCALE: 3/4" = 1'-0"

3 SECTION
S1.5
SCALE: NOT TO SCALE

- TYPICAL FOUNDATION WALL NOTES**
- WALLS HAVE BEEN DESIGNED FOR A 40 PSF EQUIVALENT FLUID PRESSURE WITH LEVEL BACKFILL, SLIDING COEFFICIENT OF FRICTION OF 0.40 AND AN ALLOWABLE SOIL BEARING PRESSURE OF 3000 PSF. THESE SOIL PARAMETERS SHALL BE CONFIRMED BY OWNER'S GEOTECHNICAL ENGINEER PRIOR TO PLACEMENT OF STEEL REINFORCING.
 - PROVIDE 4" DIA. WEEP HOLES AT 8'-0" CENTERS HORIZONTALLY, 5'-0" CENTERS VERTICALLY. PROVIDE 1'-6" WIDE GRANULAR FILL BLANKET, PROVIDE FILTER FABRIC BETWEEN GRAVEL AND WALL AT EACH WEEP HOLE. PLACE GRANULAR FILL BLANKET AND FILTER FABRIC TO A POINT 10' INSIDE FOOTPRINT OF BUILDING.
 - ALL EXCAVATIONS FOR FOOTINGS SHALL BE COMPACTED TO 95% DENSITY. PLACEMENT OF ALL FILL SHALL BE MONITORED AND APPROVED BY OWNER'S GEOTECHNICAL ENGINEER. PLACE STRUCTURAL FILL IN LAYERS NOT TO EXCEED 8" IN DEPTH.
 - CONTRACTOR/OWNER SHALL VERIFY CONSTRUCTION IN THE FIELD. INSPECTION SHALL BE PERFORMED BY A STRUCTURAL ENGINEER REGISTERED IN THE STATE OF ALABAMA. VERIFICATION OF AS-BUILT CONSTRUCTION WILL BE REQUIRED BY JURISDICTION PRIOR TO CERTIFICATE OF OCCUPANCY.
 - THE ON-SITE MATERIALS MAY BE USED FOR THE STRUCTURAL BACK FILL IF APPROVED BY THE GEOTECHNICAL ENGINEER. PLACE ALL APPROVED BACKFILL MATERIALS PER GENERAL NOTE 202.
 - SLAB ON GRADE. SEE 10/1 FOR SLAB ON GRADE INFORMATION. SLAB SHALL BE CAST PRIOR TO BACKFILLING WALL.

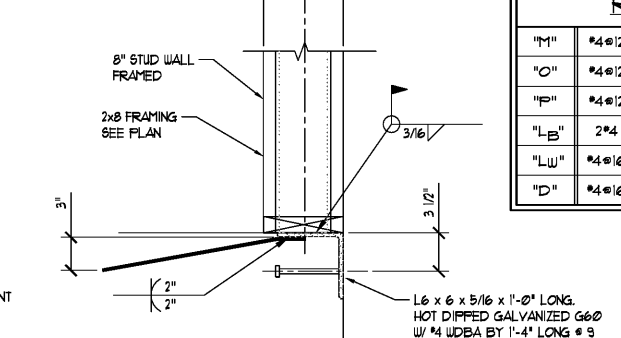
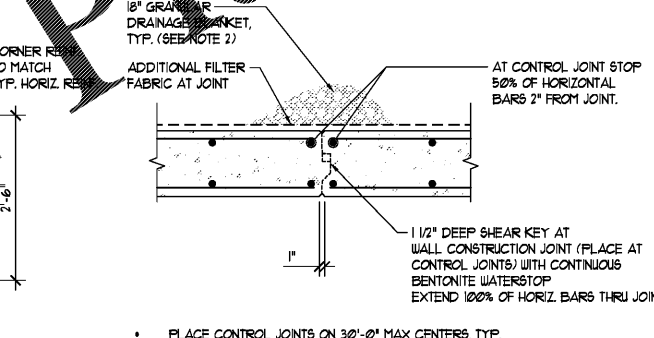
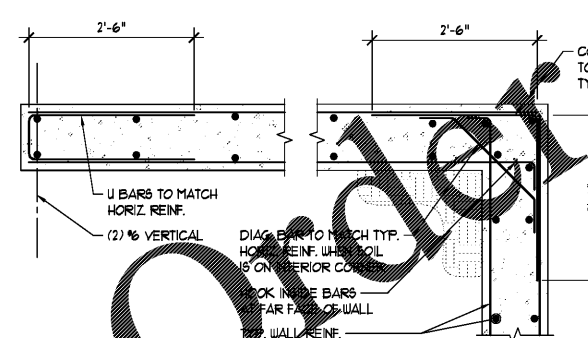
- RETAINING WALL NOTES: 1/5/15**
- WALLS HAVE BEEN DESIGNED FOR A 40 PSF EQUIVALENT FLUID PRESSURE WITH LEVEL BACKFILL, SLIDING COEFFICIENT OF FRICTION OF 0.40 AND AN ALLOWABLE SOIL BEARING PRESSURE OF 3000 PSF. THESE SOIL PARAMETERS SHALL BE CONFIRMED BY OWNER'S GEOTECHNICAL ENGINEER PRIOR TO PLACEMENT OF STEEL REINFORCING.
 - PROVIDE 4" DIA. WEEP HOLES AT 8'-0" CENTERS HORIZONTALLY, 5'-0" CENTERS VERTICALLY. PROVIDE 1'-6" WIDE GRANULAR FILL BLANKET, PROVIDE FILTER FABRIC BETWEEN GRAVEL AND WALL AT EACH WEEP HOLE. PLACE GRANULAR FILL BLANKET AND FILTER FABRIC 10' INSIDE FOOTPRINT OF BUILDING.
 - ALL EXCAVATIONS FOR FOOTINGS SHALL BE COMPACTED TO 95% DENSITY. PLACEMENT OF ALL FILL SHALL BE MONITORED AND APPROVED BY OWNER'S GEOTECHNICAL ENGINEER. PLACE STRUCTURAL FILL IN LAYERS NOT TO EXCEED 8" IN DEPTH.
 - CONTRACTOR/OWNER SHALL VERIFY CONSTRUCTION IN THE FIELD. INSPECTION SHALL BE PERFORMED BY A STRUCTURAL ENGINEER REGISTERED IN THE STATE OF ALABAMA. VERIFICATION OF AS-BUILT CONSTRUCTION WILL BE REQUIRED BY JURISDICTION PRIOR TO CERTIFICATE OF OCCUPANCY.
 - THE ON-SITE MATERIALS MAY BE USED FOR THE STRUCTURAL BACK FILL IF APPROVED BY THE GEOTECHNICAL ENGINEER. PLACE ALL APPROVED BACKFILL MATERIALS PER GENERAL NOTE 202.
 - SLAB ON GRADE. SEE 10/1 FOR SLAB ON GRADE INFORMATION. SLAB SHALL BE CAST PRIOR TO BACKFILLING WALL.

DIMENSIONS: 1/5/15

"H"	4 FT.	6 FT.	8 FT.	10 FT.	12 FT.
"A"	10"	10"	10"	10"	12"
"B"	6"	12"	1'-6"	1'-10"	2'-6"
"C"	6"	12"	1'-4"	2'-2"	2'-6"
"D"	12"	12"	12"	12"	1'-2"
"K"	-	-	-	1'-4"	1'-4"
"U"	1'-10"	2'-10"	3'-0"	4'-10"	6'-0"

REINFORCEMENT

"M"	#4@12	#4@12	#4@14	#4@10	#5@10
"O"	#4@12	#4@12	#4@14	#5@10	#6@10
"P"	#4@12	#4@12	#4@12	#5@16	#5@16
"L_B"	2#4	4#4	4#4	5#5	7#5
"L_U"	#4@16	#4@16	#4@16	#4@16	#5@16
"D"	#4@16	#4@16	#4@16	#4@16	#5@16

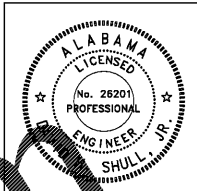


A PLAN DETAIL
S1.5
SCALE: NONE

B PLAN DETAIL
S1.5
SCALE: NONE

C PLAN DETAIL
S1.5
SCALE: NONE

DAVID H. SHULL, JR., P.E.
ALABAMA REGISTRATION #: PE 26201
SHULL & ASSOCIATES, INC.
ALABAMA CERTIFICATE OF AUTHORIZATION CA 3177 E
127 CHURCH STREET NE SUITE 100 MARIETTA, GA 30060
(404) 459-0585



PUCCIANO & ENGLISH, INC.
ARCHITECTS, AIA
3084 MERCER UNIVERSITY DRIVE, SUITE 110
ATLANTA, GA 30341
PH 770-451-0623 FAX 770-451-0092
denglish@pucciano-english.com



JOB No: 1701
DRAWN BY:
CHECK BY:
JOB PROGRESS:
ITEM DATE
PRICING SET 07-14-2017
PERMIT SET 02-26-2016

REVISIONS:
DATE NO.

This drawing, as an instrument of service, is and shall remain the property of the Architect and shall not be reproduced, published or used in any way without the permission of the Architect.

Legacy at Jones Farm Phase 2
HUNTSVILLE, ALABAMA
AN APARTMENT COMMUNITY FOR
RBJ BAILEY, LLC

RETAINING WALL
SECTIONS & DETAILS
SHEET NO.

S1.5