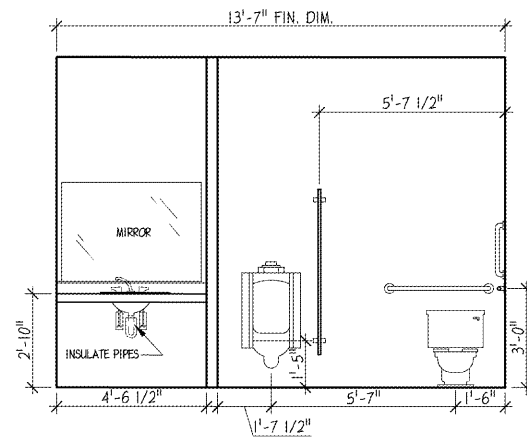
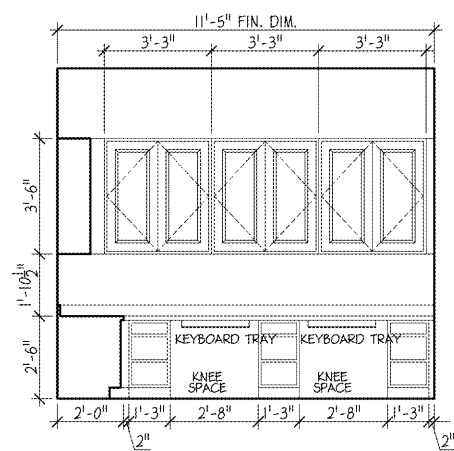


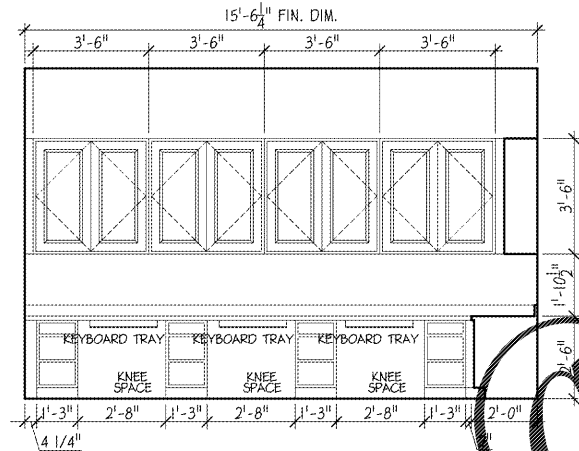
1 WOMENS INT. ELEV.
A10.3 SCALE 3/8" = 1'-0"



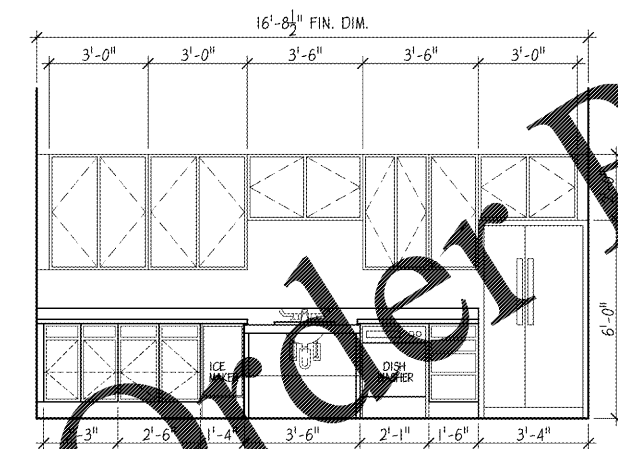
2 MENS INT. ELEV.
A10.3 SCALE 3/8" = 1'-0"



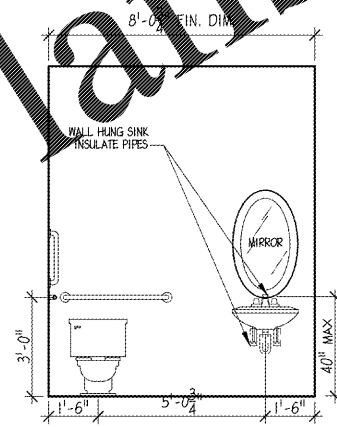
3 BUSINESS CTR. INT. ELEV.
A10.3 SCALE 3/8" = 1'-0"



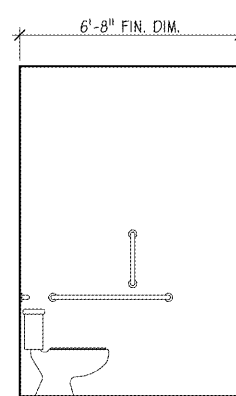
4 BUSINESS CTR. INT. ELEV.
A10.3 SCALE 3/8" = 1'-0"



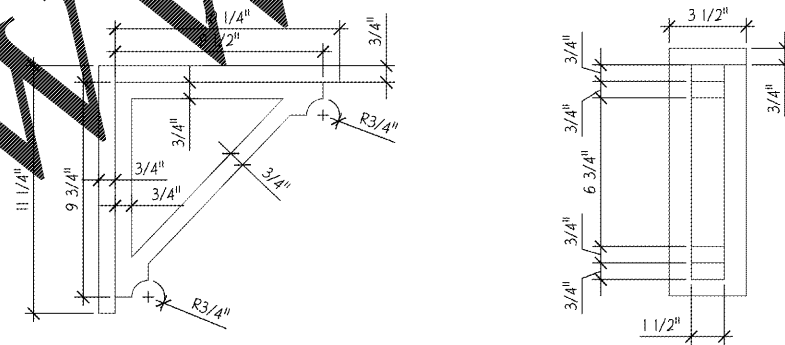
6 KITCHENETTE INT. ELEV.
A10.3 SCALE 3/8" = 1'-0"



6 POWDER INT. ELEV.
A10.3 SCALE 3/8" = 1'-0"



7 POWDER INT. ELEV.
A10.3 SCALE 3/8" = 1'-0"



9 BAR BRACKET PROFILE AND ELEV.
A10.3 SCALE 3" = 1'-0"

NO.	SIZE	HEIGHT	THICKNESS	MAKE	MATERIAL	FRAME	HARDWARE	FIRE RATING	NOTES
101	3'-0" PAIR	6'-8"	1 3/4"	FRENCH	WOOD	WOOD	LOCK SET	20 MIN	1,2,3,4,5,6
102	3'-0"	6'-8"	1 3/4"	FRENCH	WOOD	WOOD	LOCK SET	20 MIN	1,2,3,4,5,6
103	3'-0"	6'-8"	1 3/4"	2 PANEL	WOOD	WOOD	LATCH SET		1,2,4,5,6
104	3'-0"	6'-8"	1 3/4"	FRENCH	WOOD	WOOD	LATCH SET		1,2,3,4,5,6
105	3'-0"	6'-8"	1 3/4"	2 PANEL	WOOD	WOOD	LOCK SET		1,2,4,5,6
106	3'-0" PAIR	6'-8"	1 3/4"	2 PANEL	INSULATED METAL	WOOD	LOCK SET	20 MIN	1,2,4,5,6
107	3'-0" PAIR	6'-8"	1 3/8"	2 PANEL	INSULATED METAL	WOOD	LATCH SET		1,2,4,5,6
108	3'-0"	6'-8"	1 3/4"	2 PANEL	INSULATED METAL	WOOD	LOCK SET	20 MIN	1,2,3,4,5,6
109	3'-0"	6'-8"	1 3/4"	2 PANEL	INSULATED METAL	WOOD	PRIVACY	20 MIN	1,2,4,5,6

NOTES:

- TEMPERED GLASS
- INSULATED LOW 'E' GLASS.
- PROVIDE KEY CARD ACCESS PANEL
- SPRING HINGES (U.L. APPROVED)
- H/C ACCESSIBLE THRESHOLDS TO BE INSTALLED
- H/C ACCESSIBLE LEVERED HARDWARE TO BE INSTALLED AT H/C ACCESSIBLE/ADAPTABLE UNITS

WINDOW SCHEDULE

TYPE	SIZE	MAKE	TYPE	NOTES
AA	3'-0" x 6'-0"	TEMPERED	VINYL SASH HUNG	NOTE 1,2,3,4,5
BB	6'-0" x 6'-0"	DOUBLE		
CC	19'-0" x 6'-0"	TRIPLE		

NOTES:

- INSULATED LOW 'E' GLASS
- TEMPERED GLASS REEF FLOOR BEAMS (NOTED W/*)
- LOCATIONS OF WINDOW TEMPERED GLASS.
- WINDOW SILL SHALL BE 2 1/4" A.F.F. MIN.

NOTES:

- WINDOWS SHALL BE INSTALLED BY A CERTIFIED PENETRATION CONTRACTOR 10 YEAR WARRANTY ON INSUL. GLAZING

GENERAL NOTE

REFER TO HANDICAP SHEETS FOR MOUNTING HEIGHTS AND BLOCKING DETAILS

GENERAL NOTE

REFER TO INTERIOR DESIGN DRAWINGS FOR ALL INTERIOR SCHEDULES, DETAILS AND INTERIOR ELEVATIONS

TYPICAL FRAMING SCHEDULE:

STEEL FRAMING NOTE
 ALL STEEL COLUMNS TO BE SPRAYED WITH AN APPROVED INTUMESCENT COATING FOR A 1 HOUR RATING. SUBMIT PRODUCT SPECS FOR APPROVAL.

ALL STEEL BEAMS TO BE SPRAYED WITH AN APPROVED INTUMESCENT COATING FOR A 1 HOUR RATING. SUBMIT PRODUCT SPECS FOR APPROVAL.



PUCCIANO & ENGLISH, INC.
 ARCHITECTS, AIA
 3084 MERCER UNIVERSITY DRIVE, SUITE 110
 ATLANTA, GA 30334
 PH 770-457-4823, FAX 770-451-0092
 denglish@pucciano-english.com



JOB No: 1701
 DRAWN BY:
 CHECK BY:
 JOB PROGRESS:
 ITEM DATE
 PRICING SET 07-14-2017
 PERMIT SET 02-26-2018

REVISIONS:
 DATE NO.

This drawing, as an instrument of service, is and shall remain the property of the Architects and shall not be reproduced, published or used in any way without the permission of the Architect.

Legacy at Jones Farm Phase 2
 HUNTSVILLE, ALABAMA
 AN APARTMENT COMMUNITY FOR
 RBJ BAILEY, LLC

AMENITY AREA
 DOOR/WIN. SCHED. INT. ELEV.
 SHEET NO.

A10.3