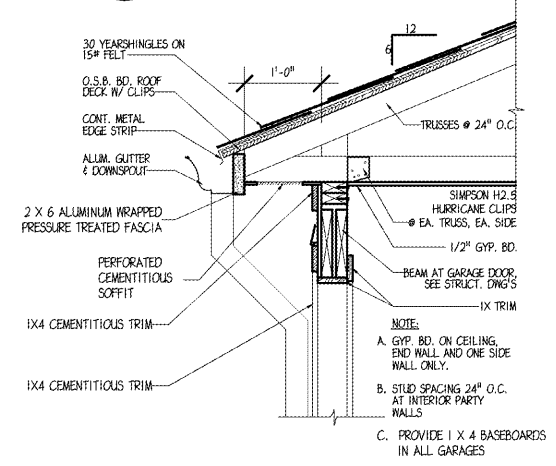


6 WALL SECTION
SCALE: 1/8" = 1'-0"



7 WALL SECTION
SCALE: 1/8" = 1'-0"

DOOR SCHEDULE:

NO.	SIZE	DESCRIPTION
1.	8'-0" W. X 7'-0" H.	RESIDENTIAL METAL ROLL UP GAR. DOOR
2.	10'-0" W. X 7'-0" H.	H/C RESIDENTIAL METAL ROLL UP GAR. DOOR
3.	3'-0" W. X 6'-8" H.	INSULATED METAL DOOR W/ H/C HARDWARE

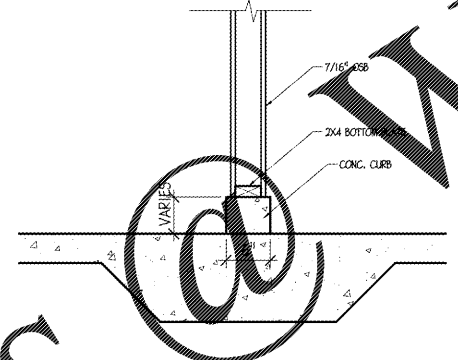
LEGEND
--- DENOTES SHEAR WALL
--- SEE STRUCTURAL SHEETS

*NOTES:
ALIGN ROOF TRUSS ABOVE ALL INTERIOR SEPERATION WALLS

**NOTES:
H2.5A @ EACH TRUSS

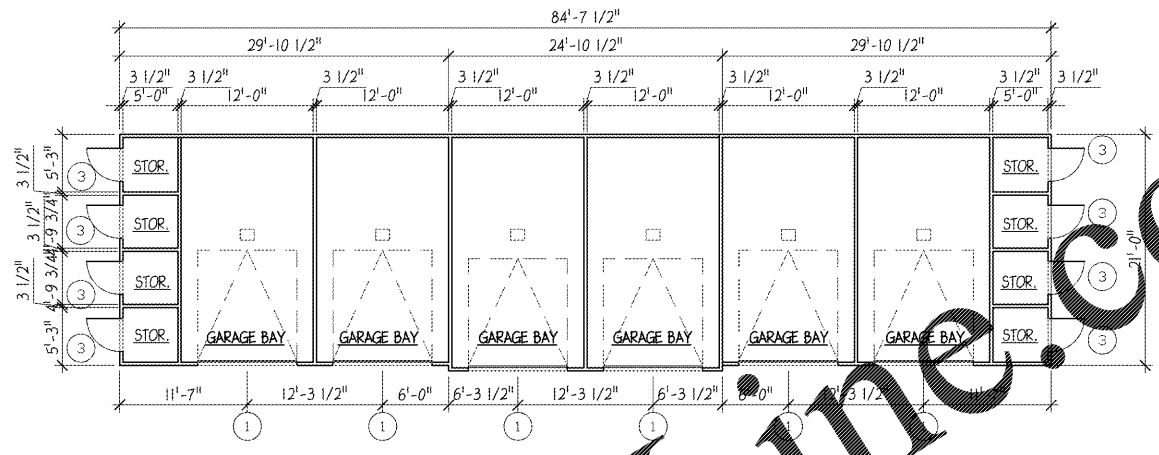
STRUCTURAL NOTE
REFER TO STRUCTURAL PLANS FOR ALL FRAMING PLANS AND SCHEDULES

TRIM NOTE
ALL WINDOW & DOOR TRIM, DECORATIVE BANDS, COLUMN & COLUMN TRIM, RAKE TRIM, CORNER TRIM & SIDING (HORIZONTAL & VERTICAL) TO BE CEMENTITIOUS

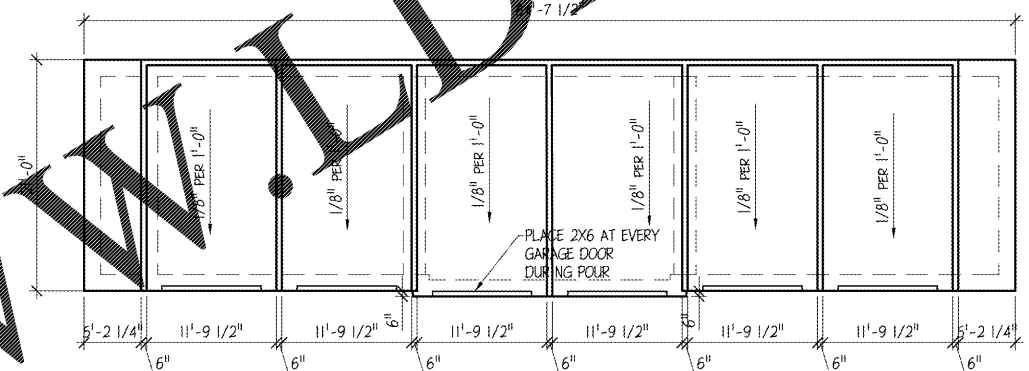


8 WALL SECTION
SCALE: 1/8" = 1'-0"

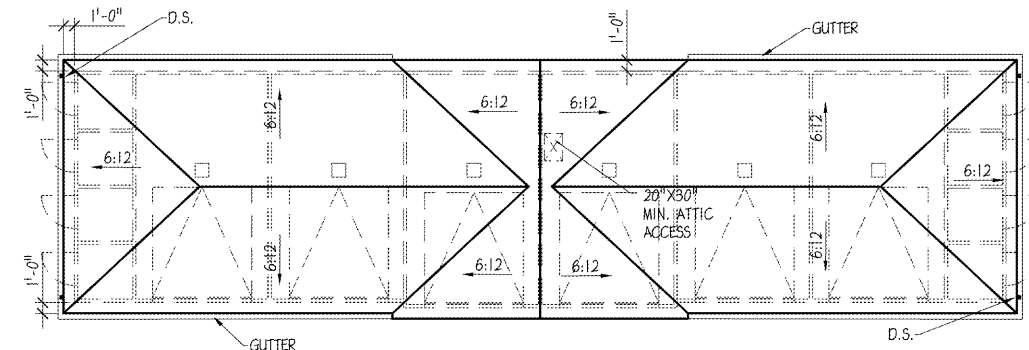
GENERAL NOTE
6" GUTTER SYSTEM WITH 4" X 5" DOWNSPOUTS AND SPLASH BLOCKS



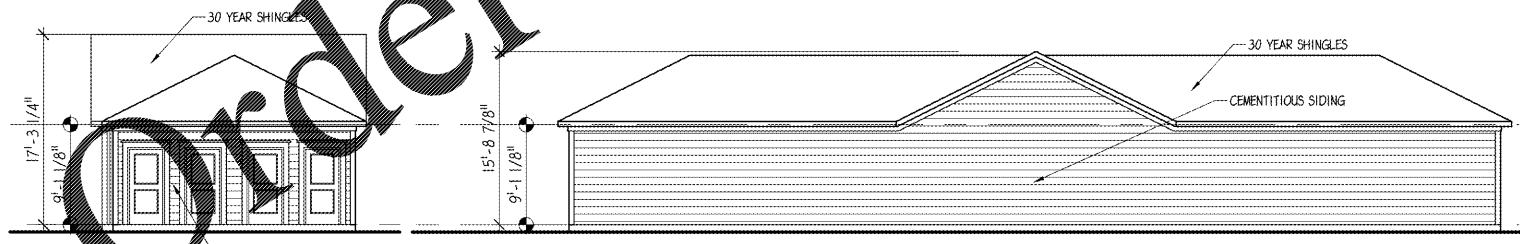
9.2 H/C - CARWASH - FLOOR PLAN
SCALE: 1/8" = 1'-0"



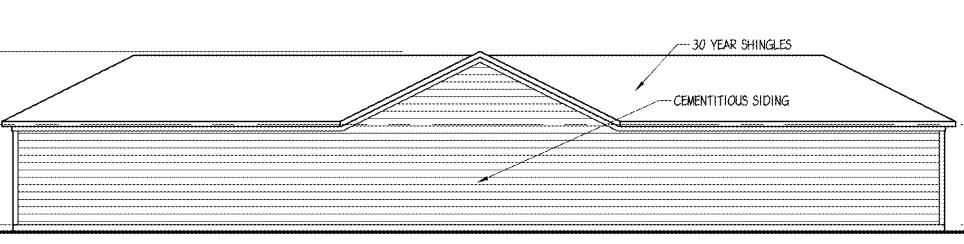
9.2 H/C - CARWASH - FOUNDATION PLAN
SCALE: 1/8" = 1'-0"



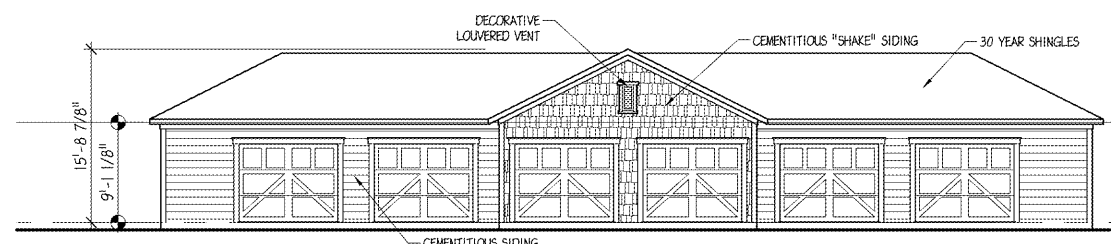
9.2 H/C - CARWASH - ROOF PLAN
SCALE: 1/8" = 1'-0"



5 SIDE ELEVATION
SCALE: 1/8" = 1'-0"



5 REAR ELEVATION
SCALE: 1/8" = 1'-0"



4 FRONT ELEVATION
SCALE: 1/8" = 1'-0"



PUCCIANO & ENGLISH, INC.
ARCHITECTS, AIA
3084 MERCER UNIVERSITY DRIVE, SUITE 110
ATLANTA, GA 30334
PH 770-457-4823 FAX 770-451-0092
denglish@pucciano-english.com



JOB No: 1701
DRAWN BY:
CHECK BY:
JOB PROGRESS:
ITEM DATE
PRICING SET 07-14-2017
PERMIT SET 02-26-2018

REVISIONS:
DATE NO

This drawing, as an instrument of service, is and shall remain the property of the Architect and shall not be reproduced, published or used in any way without the permission of the Architect.

Legacy at Jones Farm Phase 2
HUNTSVILLE, ALABAMA
AN APARTMENT COMMUNITY FOR
RBJ BAILEY, LLC

6-BAY GARAGE PLANS & DETAILS
SHEET NO.

A9.2