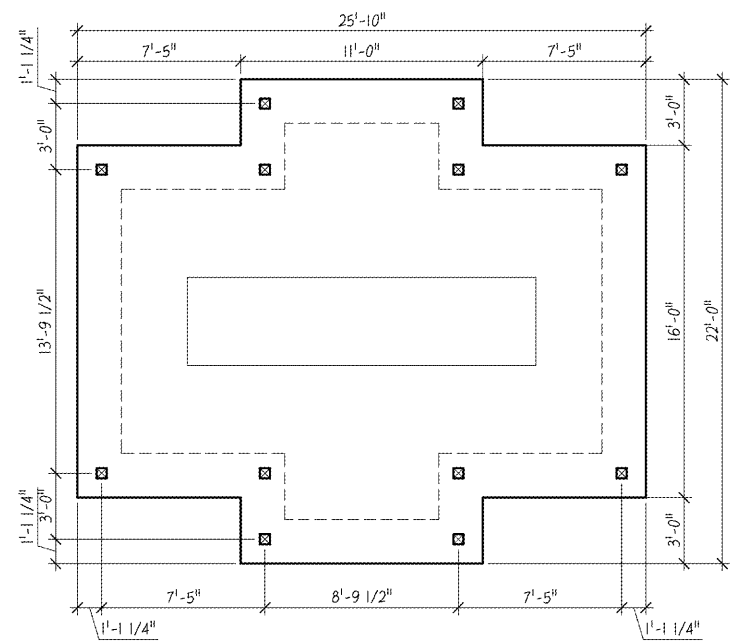


3 MAIL KIOSK PLAN
SCALE: 1/4" = 1'-0"

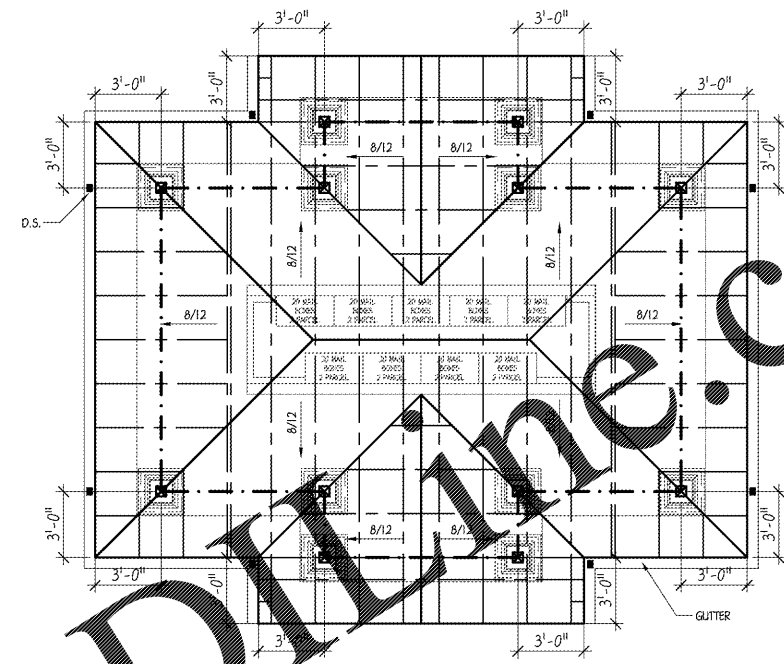
NOTE:
ALL EXPOSED EXTERIOR WOOD MEMBERS INCLUDING FRAMING, DECKING, & RAILING SYSTEM SHALL BE PRESSURE TREATED WOOD

DESIGN FOR 180 MAILBOXES & 18 PARCEL BOXES
FOR ROUGH OPENING DIMENSIONS, REFER TO "AUTH FLORENCE" DRAWINGS. THESE ROUGH OPENINGS INCLUDE MAIL BOXES, PARCEL BOXES AND MAIL DROP BOX.

CONTRACTOR SHALL REFER TO SUGGESTED R.O. DIMENSIONS OF MFR'S TO BE USED



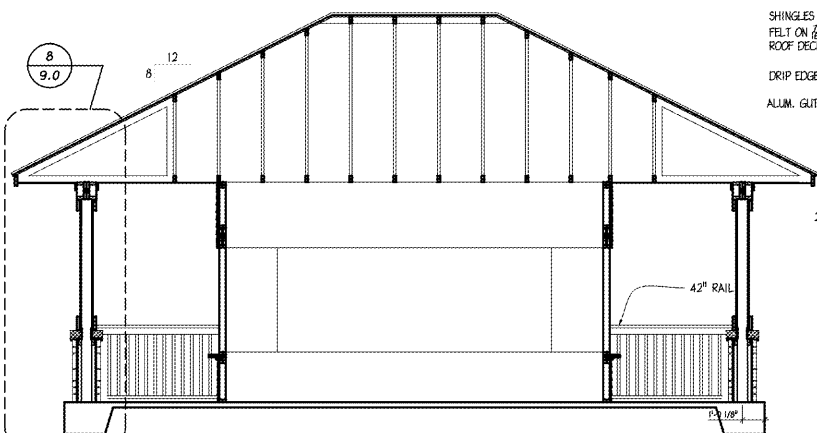
4 FOUNDATION PLAN
SCALE: 1/4" = 1'-0"



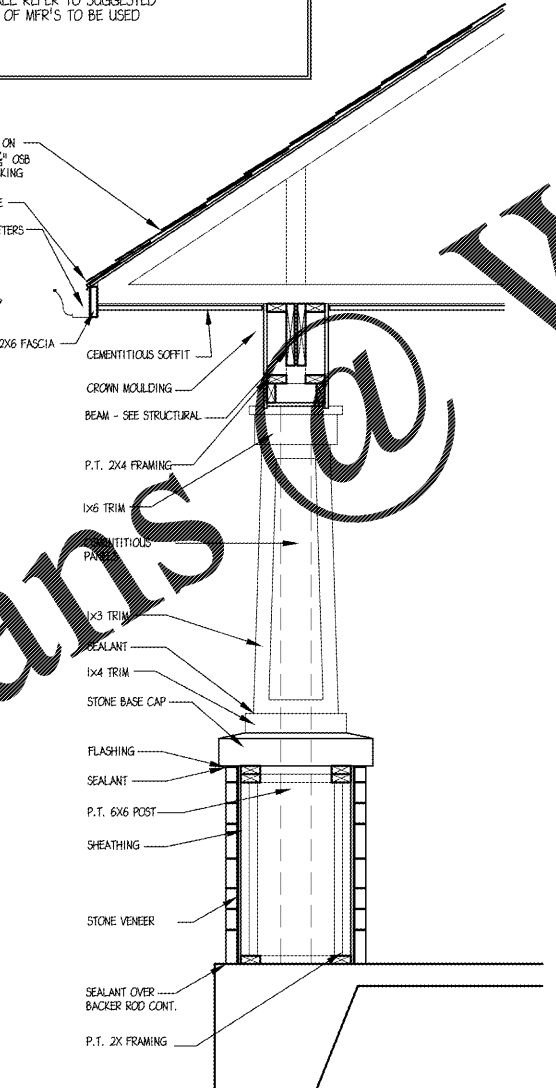
5 ROOF FRAMING PLAN
SCALE: 1/4" = 1'-0"

TRIM NOTE
ALL WINDOW & DOOR TRIM, DECORATIVE BANDS, COLUMN & COLUMN TRIM, RAKE TRIM, CORNER TRIM & SIDING (HORIZONTAL & VERTICAL) TO BE CEMENTITIOUS

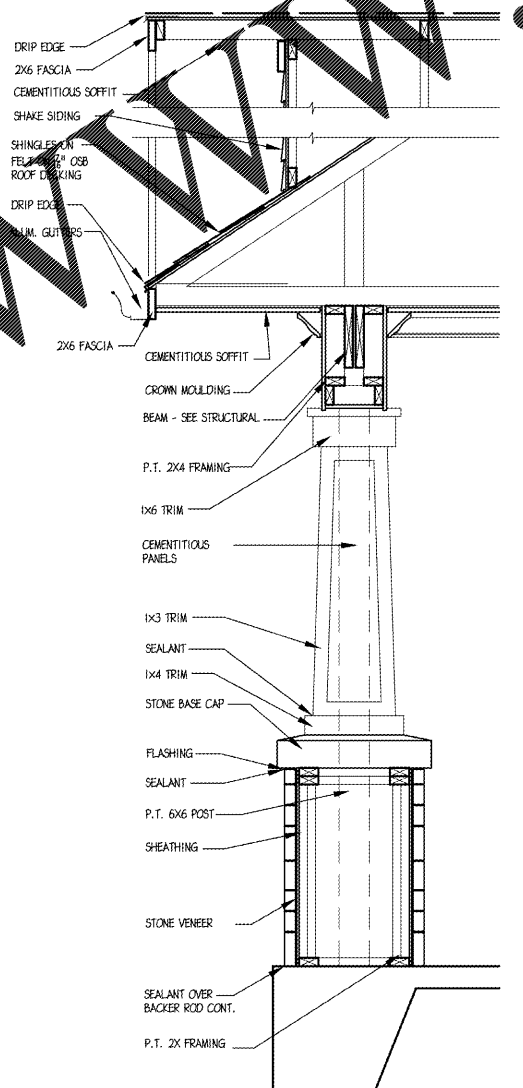
GENERAL NOTE
6" GUTTER SYSTEM WITH 4"x5" DOWNSPOUTS AND SPLASH BLOCKS



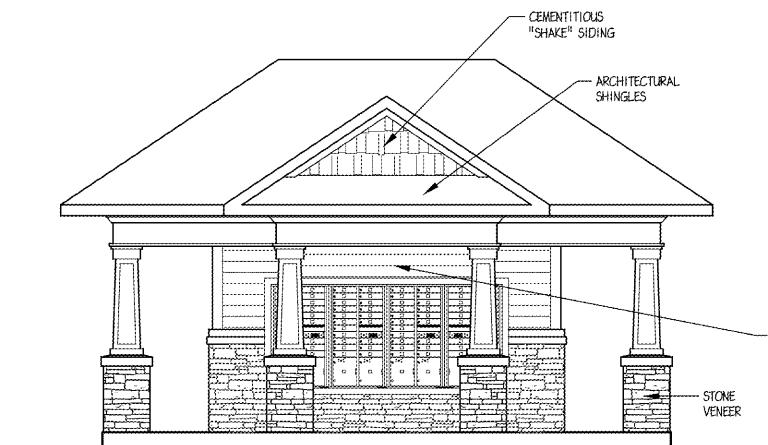
6 MAIL KIOSK SECTION
SCALE: 1/4" = 1'-0"



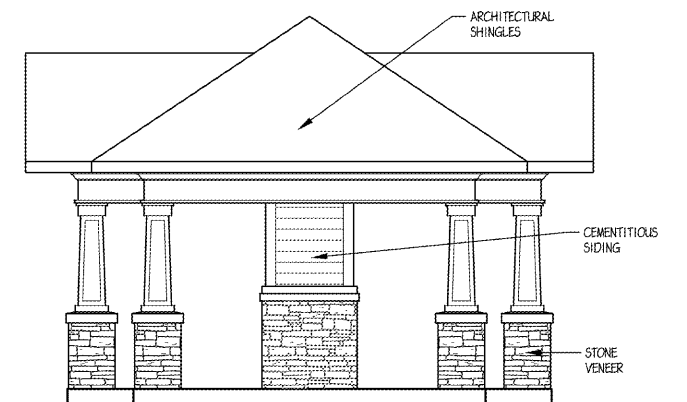
8 WALL SECTION
SCALE: 1/4" = 1'-0"



9 WALL SECTION
SCALE: 1/4" = 1'-0"



1 FRONT ELEV. - MAIL KIOSK
SCALE: 1/4" = 1'-0"
REAR ELEVATION SIM.



2 SIDE ELEV. - MAIL KIOSK
SCALE: 1/4" = 1'-0"



PUCCIANO & ENGLISH, INC.
ARCHITECTS, AIA
3084 MERCER UNIVERSITY DRIVE, SUITE 110
ATLANTA, GA 30334
PH 770-457-4823 FAX 770-451-4082
dpenglish@pucciano-english.com



JOB No: 1701
DRAWN BY:
CHECK BY:
JOB PROGRESS:
ITEM DATE
PRICING SET 07-14-2017
PERMIT SET 02-26-2018

REVISIONS:
DATE NO:

This drawing, as an instrument of service, is and shall remain the property of the Architect and shall not be reproduced, published or used in any way without the permission of the Architect.

Legacy at Jones Farm Phase 2
HUNTSVILLE, ALABAMA
AN APARTMENT COMMUNITY FOR
RBJ BAILEY, LLC

MAIL KIOSK
SHEET NO.

A9.0