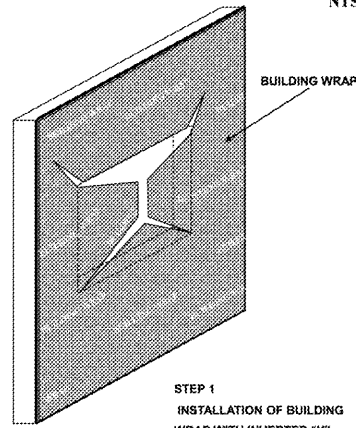


NTS

1. UNWRAP ROLL OF BUILDING WRAP AT CORNER OF BUILDING LEAVING 2' - 3' OVERLAP.
2. SECURE BUILDING WRAP EVERY 12" - 18" ON VERTICAL STUD LINE.
3. INSTALL BUILDING WRAP "SHINGLE-LAP" FASHION (WITH THE HIGHER PIECE LAPPED A MINIMUM OF 6" OVER THE OUTSIDE OF THE PIECE BELOW).
4. SECURE ALL HORIZONTAL, VERTICAL AND PERIMETERS SEAMS USING 2" OR 3" MANUFACTURER APPROVED CONTRACTOR TAPE.
5. ANY AND ALL TEARS OR HOLES SHOULD BE COVERED WITH MANUFACTURER APPROVED CONTRACTORS TAPE.
6. MAKE AN INVERTED "Y" CUT IN THE WRAP AT WINDOW ROUGH OPENING. MAKE DIAGONAL CUTS AT THE TOP OF THE ROUGH OPENING CORNERS.



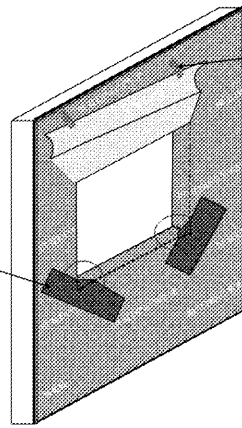
STEP 1
INSTALLATION OF BUILDING WRAP WITH INVERTED "Y" CUT.

WALL CAVITY WEATHER BARRIER WATERPROOFING AT FLANGED WINDOW
MAYBANK WMC1A-MBNK-13 09-05-13

NTS

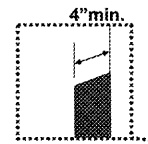
PEEL AND STICK MEMBRANE

STEP 1 - OPTION 1
12" BUTTERFLIES AT CORNERS - CARE IS TAKEN TO ATTAIN MAXIMUM TUCK INTO WINDOW OPENING

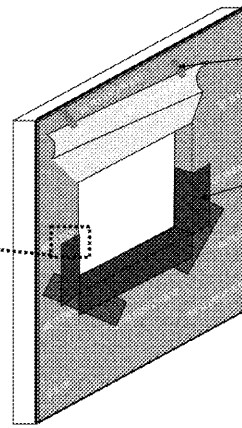


WALL CAVITY WEATHER BARRIER WATERPROOFING AT FLANGED WINDOW
MAYBANK WMC1A-MBNK-13 09-05-13

NTS



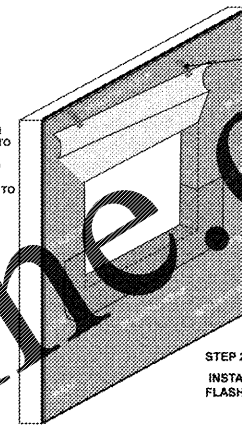
STEP 2 - OPTION 1
INSTALLATION OF SILL/JAMB -



WALL CAVITY WEATHER BARRIER WATERPROOFING AT FLANGED WINDOW
MAYBANK WMC1A-MBNK-13 09-05-13

NTS

1. FOLD BUILDING WRAP AT HEADS TO EXPOSE SHEATHING AND TEMPORARILY SECURE WITH TAPE (DO NOT USE FASTENERS OR STAPLES TO TEMPORARILY SECURE).
2. FOLD BUILDING WRAP AT JAMBS AND SILL TO INTERIOR OF OPENING AND SECURE.
3. INSTALL FLEXIBLE 1-PIECE FLASHING AT SILL TO A VERTICAL HEIGHT OF 6".

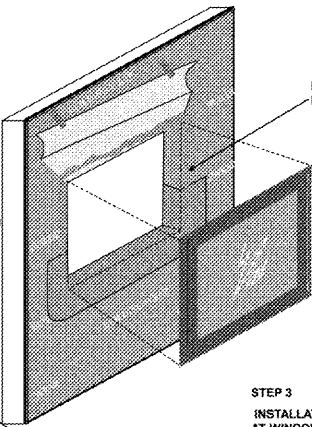


STEP 2
INSTALLATION OF FLEXIBLE FLASHING MEMBRANE AT SILL -

WALL CAVITY WEATHER BARRIER WATERPROOFING AT FLANGED WINDOW
MAYBANK WMC1A-MBNK-13 09-05-13

NTS

1. APPLY AMPLE SEALANT AT HEAD, JAMBS AND SILL TO ALLOW PROPER COMPRESSION DURING INSTALLATION OF WINDOW. CARE SHOULD BE TAKEN TO PROVIDE CONTINUOUS SEALANT BEAD WITH NO VOIDS OR GAPS.
2. ALLOW (2) 1" VOIDS IN SEALANT AT SILL FOR DRAINAGE.
3. INSTALLATION OF WINDOW INCLUDING FASTENERS MUST ADHERE TO MANUFACTURERS INSTALLATION GUIDELINES.

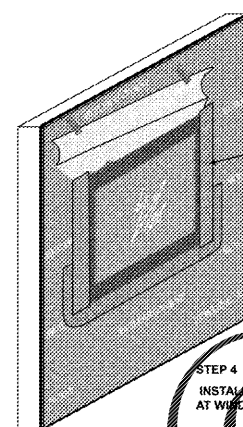


STEP 3
INSTALLATION BEDDING SEALANT AT WINDOW FLANGE -

WALL CAVITY WEATHER BARRIER WATERPROOFING AT FLANGED WINDOW
MAYBANK WMC1A-MBNK-13 09-05-13

NTS

NOTE: INSTALL APPROVED SELF-ADHERED MEMBRANE AT JAMBS OF WINDOW FLANGE

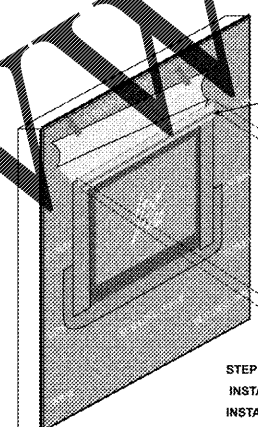


STEP 4
INSTALLATION OF SELF-ADHERED MEMBRANE AT WINDOW FLANGE -

WALL CAVITY WEATHER BARRIER WATERPROOFING AT FLANGED WINDOW
MAYBANK WMC1A-MBNK-13 09-05-13

NTS

NOTE: METAL HEAD FLASHING IS TO BE INSTALLED PER ARCHITECTURAL DESIGN. INSTALL APPROVED SELF-ADHERED MEMBRANE TO THE VERTICAL LEG OF FLASHING. SELF-ADHERED FLASHING TO EXTEND A MINIMUM OF 1" PAST METAL HEAD FLASHING.

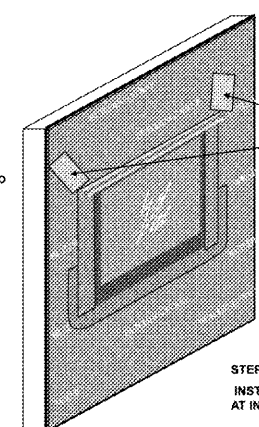


STEP 5
INSTALLATION METAL HEAD FLASHING - INSTALLATION OF SELF-ADHERED MEMBRANE -

WALL CAVITY WEATHER BARRIER WATERPROOFING AT FLANGED WINDOW
MAYBANK WMC1A-MBNK-13 09-05-13

NTS

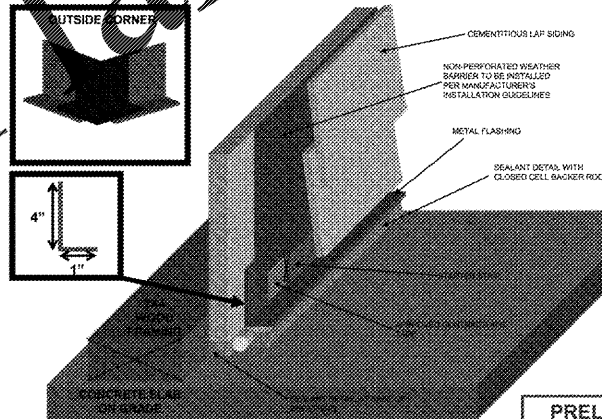
NOTE: SELF-ADHERED MEMBRANE INSTALLED OVER WEATHER BARRIER INCISIONS MADE TO FORM FLAP



STEP 6
INSTALLATION OF SELF-ADHERED MEMBRANE AT INCISIONS -

WALL CAVITY WEATHER BARRIER WATERPROOFING AT FLANGED WINDOW
MAYBANK WMC1A-MBNK-13 09-05-13

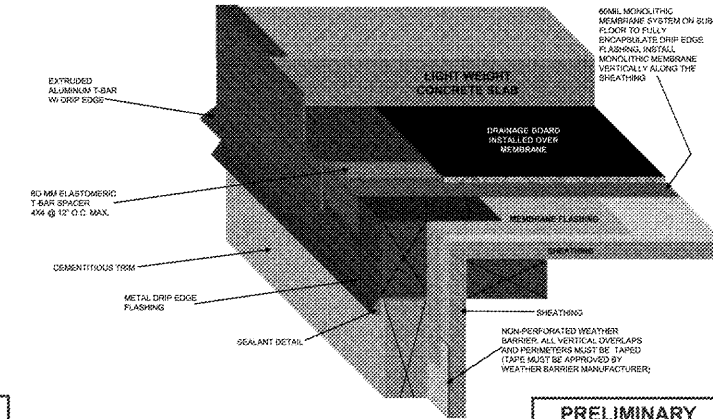
NTS



WATERPROOFING DETAIL AT DECK TO WALL
MAYBANK WMC1B-MBNK-13 09-05-13

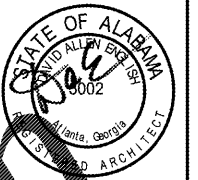
PRELIMINARY DETAIL
PENDING ARCHITECT APPROVAL
NOT FOR CONSTRUCTION

NTS



WATERPROOFING DETAIL AT SLAB EDGE
MAYBANK WMC1A-MBNK-13 09-05-13

PRELIMINARY DETAIL
PENDING ARCHITECT APPROVAL
NOT FOR CONSTRUCTION



PUCCIANO & ENGLISH, INC.
ARCHITECTS, AIA
3084 MERCER UNIVERSITY DRIVE, SUITE 110
ATLANTA, GA 30341
PH 770-457-4823 FAX 770-451-4082
denglish@pucciano-english.com



JOB No: 1701
DRAWN BY:
CHECK BY:
JOB PROGRESS:
ITEM DATE
PRICING SET 07-14-2017
PERMIT SET 02-26-2018

REVISIONS:
DATE NO:

This drawing, as an instrument of service, is and shall remain the property of the Architects and shall not be reproduced, published or used in any way without the permission of the Architect.

Legacy at Jones Farm Phase 2
HUNTSVILLE, ALABAMA
AN APARTMENT COMMUNITY FOR
RBJ BAILEY, LLC

FLASHING DETAILS & WATERPROOFING DETAILS
SHEET NO.

A8.6

Order Plans

WWW.LDIDLINE.COM