

PUCCIANO & ENGLISH, INC.
ARCHITECTS, AIA
 3084 MERCER UNIVERSITY DRIVE, SUITE 110
 ATLANTA, GA 30334
 PH 770-457-4823; FAX 770-451-0082
 denGLISH@pucciano-english.com



JOB No: 1701
 DRAWN BY:
 CHECK BY:
 JOB PROGRESS:
 ITEM DATE
 PRICING SET 07-14-2017
 PERMIT SET 02-26-2018

REVISIONS:
 DATE NO.

This drawing, as an instrument of service, is and shall remain the property of the Architect and shall not be reproduced, published or used in any way without the permission of the Architect.

Legacy at Jones Farm Phase 2
 HUNTSVILLE, ALABAMA
 AN APARTMENT COMMUNITY FOR
RBJ BAILEY, LLC

2 HOUR FIREWALL DETAIL

SHEET NO.

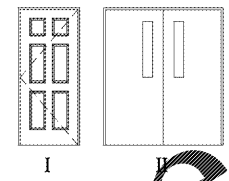
A7.2

DOOR SCHEDULE										
NO.	SIZE	HEIGHT	THICKNESS	MAKE	MATERIAL	FRAME	HARDWARE	FIRE RATING	NOTES	TYPE
101	3'-0"	6'-8"	1 3/4"	6 PANEL ENTRY	INSUL. METAL CLAD	WOOD	LOCK SET	20 MIN.	4,5,6	I
102	3'-0" PAIR	6'-8"	1 3/4"	FLUSH	INSUL. METAL CLAD	METAL		1 1/2 HR	1, 3, 7	II

NOTES:

- TEMPERED GLASS
- INSULATED LOW 'E' GLASS
- 1-1/2 HR FIRE DOORS WITH ELECTRONIC HOLD OPEN DEVICE TO RELEASE DOOR WHEN FIRE ALARM IS OPERATING
- SPRING HINGES (U.L. APPROVED)
- H/C ACCESSIBLE THRESHOLDS TO BE INSTALLED
- H/C ACCESSIBLE LEVERED HARDWARE TO BE INSTALLED AT H/C ACCESSIBLE/ADAPTABLE UNITS
- 4" WIDE X 30" FIRE RATED VISION PANEL

DOOR TYPES

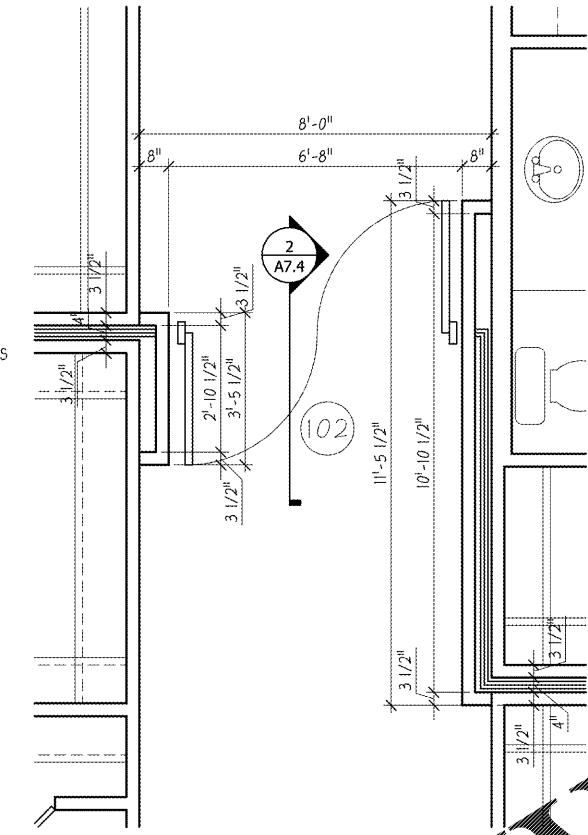
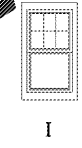


WINDOW SCHEDULE				
TYPE	SIZE	MAKE	TYPE	NOTES
AA	3'-0" x 5'-0"	FIXED	VINYL SINGLE HUNG	NOTE: SEE UNIT PLANS FOR FACTOR AND SHGC REQUIREMENTS FOR ALL DOORS AND WINDOWS

NOTES:

- INSULATED LOW 'E' GLASS
- TEMPERED GLASS FOR FLOOR PLACEMENT NOTED W/ FOR LOCATIONS OF WINDOWS W/TEMPERED GLASS
- WINDOWS SHALL BE 20% U.F.F. MIN.

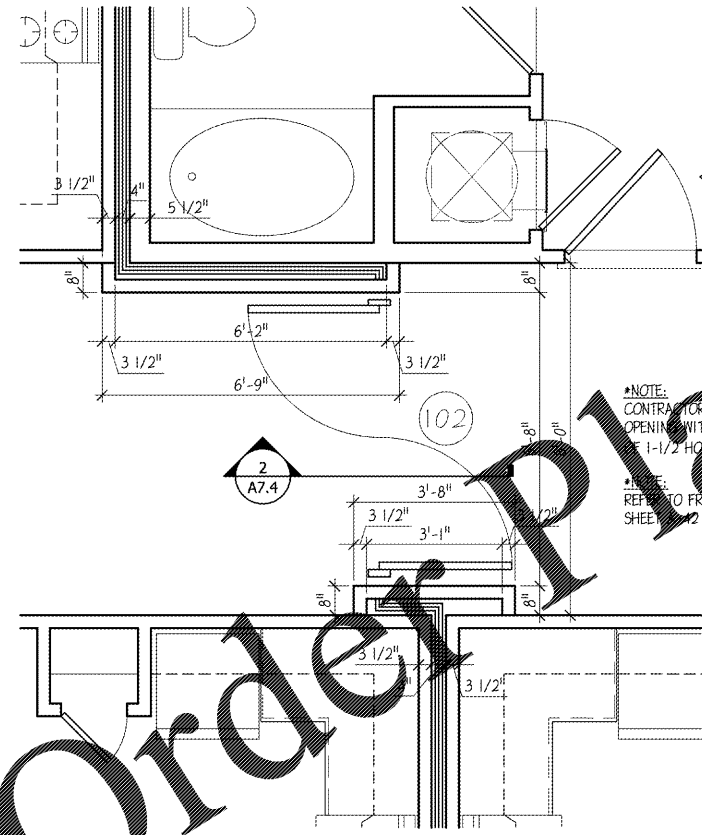
WINDOW TYPES



1 2-HOUR FIRE WALL - DOOR DETAIL
 SCALE: 1/2" = 1'-0"

*NOTE:
 CONTRACTOR TO VERIFY ROUGH OPENING WITH MANUFACTURER OF 1-1/2 HOUR "B" LABEL DOORS

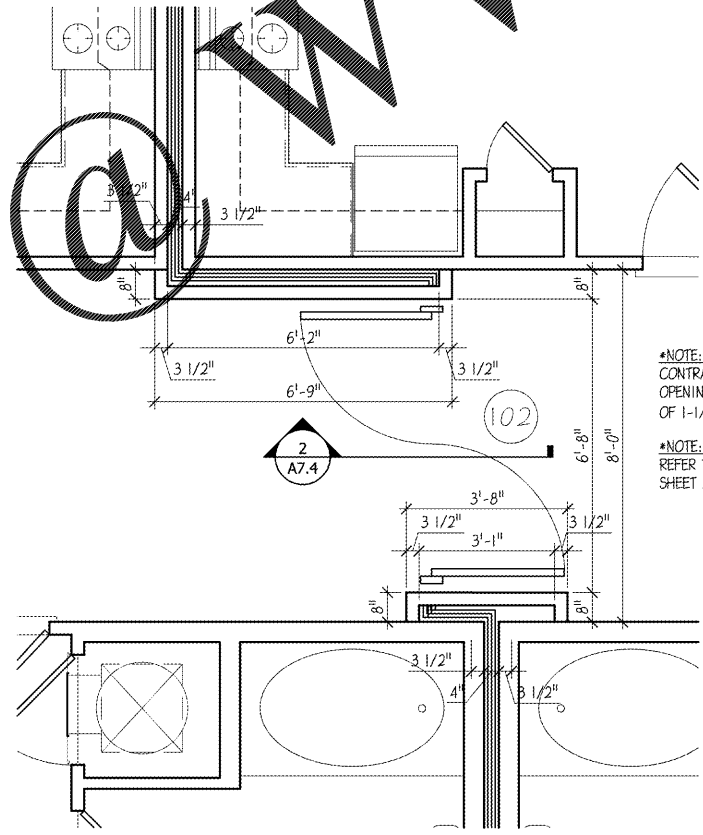
*NOTE:
 REFER TO FRAMING DETAILS ON SHEET A-42



1 2-HOUR FIRE WALL - DOOR DETAIL
 SCALE: 1/2" = 1'-0"

*NOTE:
 CONTRACTOR TO VERIFY ROUGH OPENING WITH MANUFACTURER OF 1-1/2 HOUR "B" LABEL DOORS

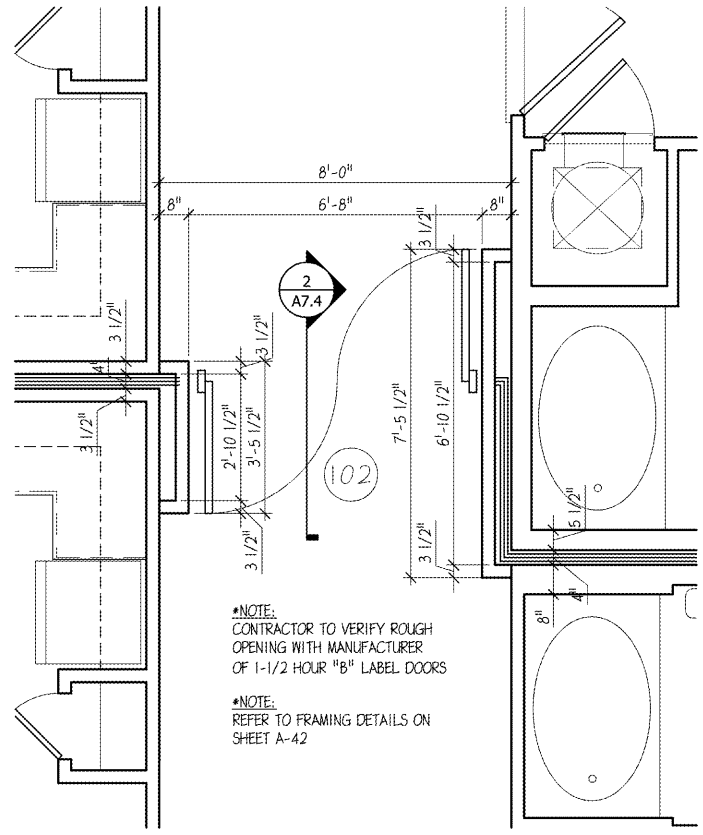
*NOTE:
 REFER TO FRAMING DETAILS ON SHEET A-42



3 2-HOUR FIRE WALL - DOOR DETAIL
 SCALE: 1/2" = 1'-0"

*NOTE:
 CONTRACTOR TO VERIFY ROUGH OPENING WITH MANUFACTURER OF 1-1/2 HOUR "B" LABEL DOORS

*NOTE:
 REFER TO FRAMING DETAILS ON SHEET A-42



1 2-HOUR FIRE WALL - DOOR DETAIL
 SCALE: 1/2" = 1'-0"

*NOTE:
 CONTRACTOR TO VERIFY ROUGH OPENING WITH MANUFACTURER OF 1-1/2 HOUR "B" LABEL DOORS

*NOTE:
 REFER TO FRAMING DETAILS ON SHEET A-42

Order Plans