

Pucciano & English, Inc.
ARCHITECTS, AIA
 3084 MERCER UNIVERSITY DRIVE, SUITE 110
 ATLANTA, GA 30341
 PH 770-457-4823 FAX 770-451-0092
 denglish@pucciano-english.com



JOB No: 1701
 DRAWN BY:
 CHECK BY:
 JOB PROGRESS:
 ITEM DATE
 PRICING SET 07-14-2017
 PERMIT SET 02-26-2018

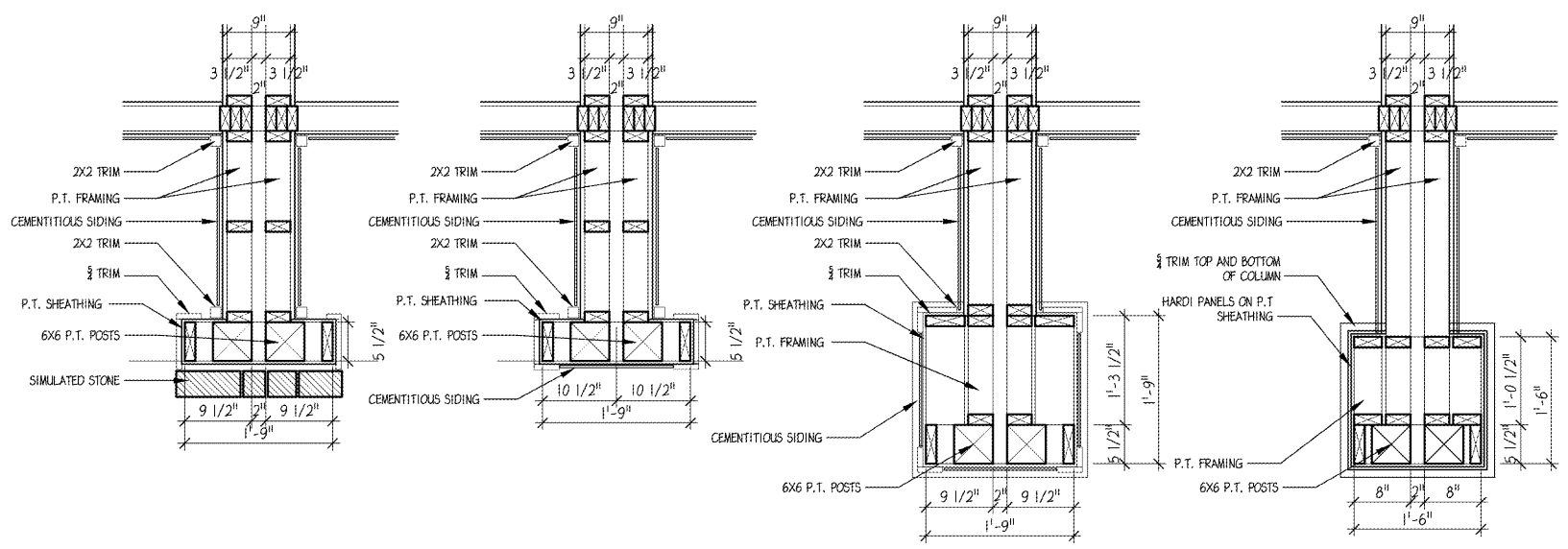
REVISIONS:
 DATE NO:

This drawing, as an instrument of service, is and shall remain the property of the Architects and shall not be reproduced, published or used in any way without the permission of the Architect.

Legacy at Jones Farm Phase 2
 HUNTSVILLE, ALABAMA
 AN APARTMENT COMMUNITY FOR
RBJ BAILEY, LLC

ELEVATION DETAILS
 BUILDING # 1
 SHEET NO.

A5.6

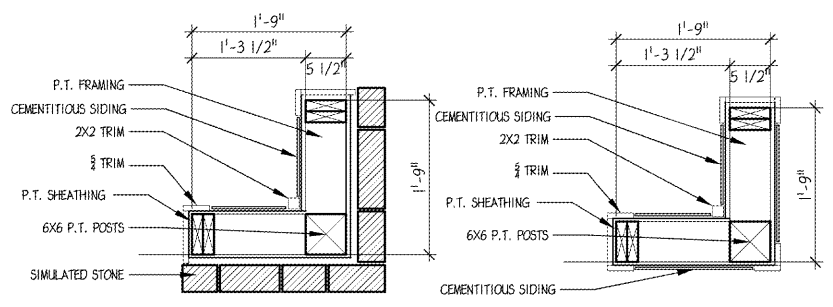


2 SECTION
 A5.6 SCALE: 1" = 1'-0"

3 SECTION
 A5.6 SCALE: 1" = 1'-0"

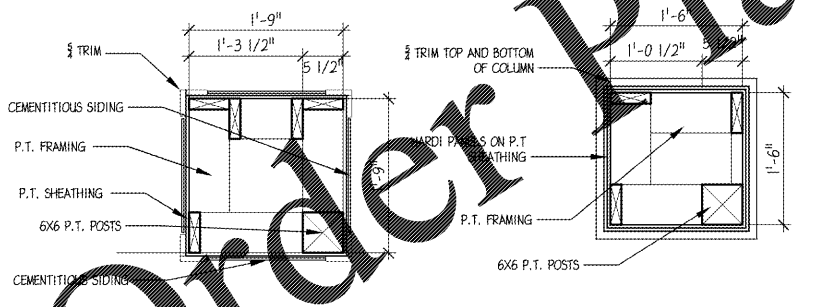
4 SECTION
 A5.6 SCALE: 1" = 1'-0"

5 SECTION
 A5.6 SCALE: 1" = 1'-0"



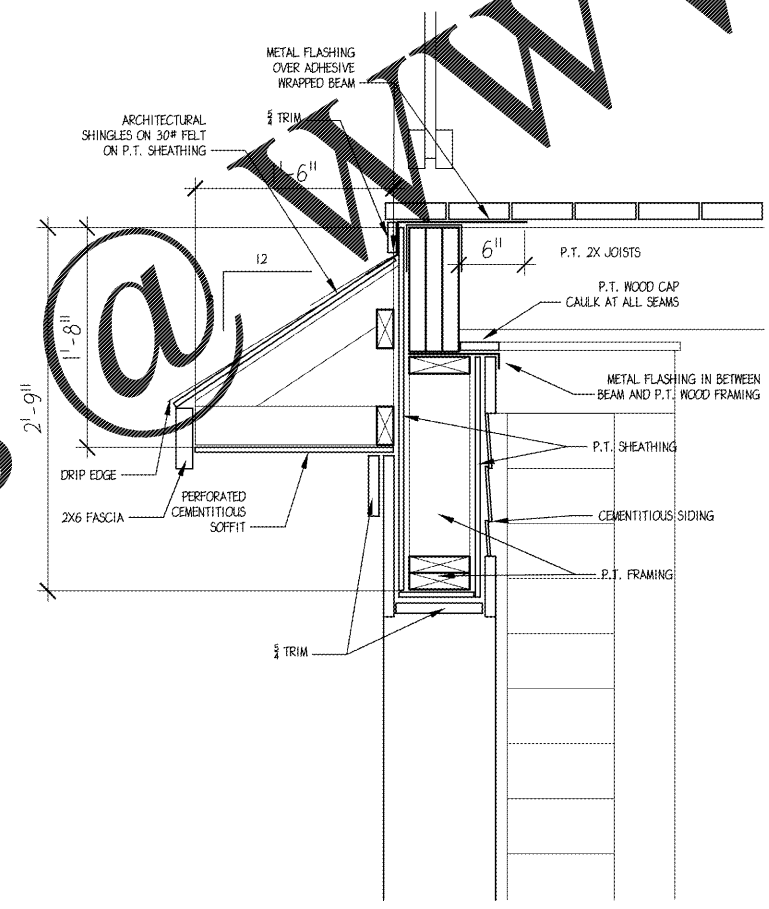
6 SECTION
 A5.6 SCALE: 1" = 1'-0"

7 SECTION
 A5.6 SCALE: 1" = 1'-0"

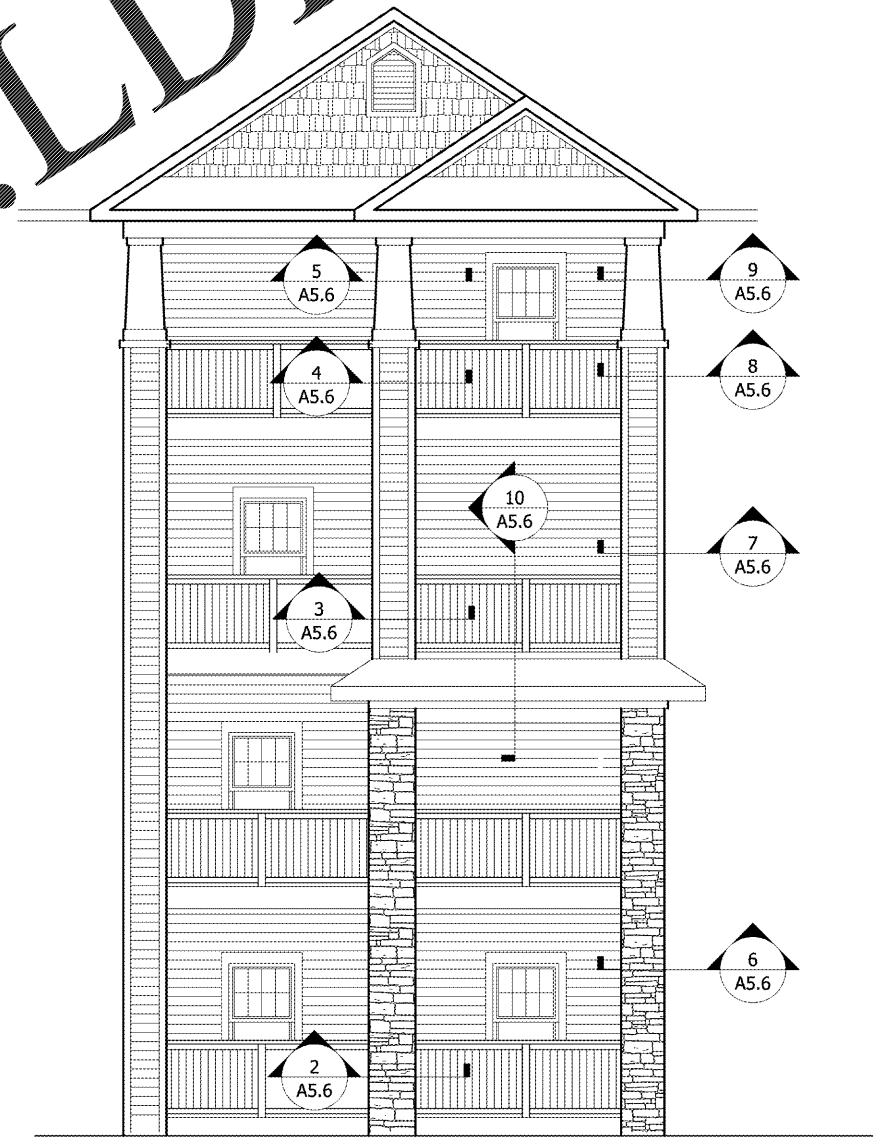


8 SECTION
 A5.6 SCALE: 1" = 1'-0"

9 SECTION
 A5.6 SCALE: 1" = 1'-0"



10 AWNING SECTION AT DECK
 A5.6 SCALE: 1-1/2" = 1'-0"



1 DECK ELEVATION - AT GABLE
 A5.6 SCALE: 1/4" = 1'-0"

Order Plans

WWW.LDILine.com