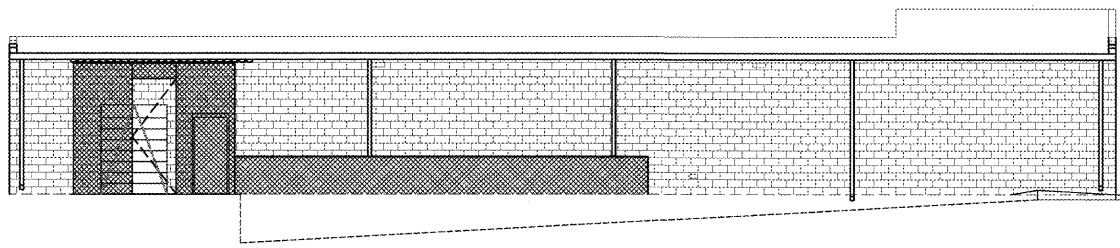
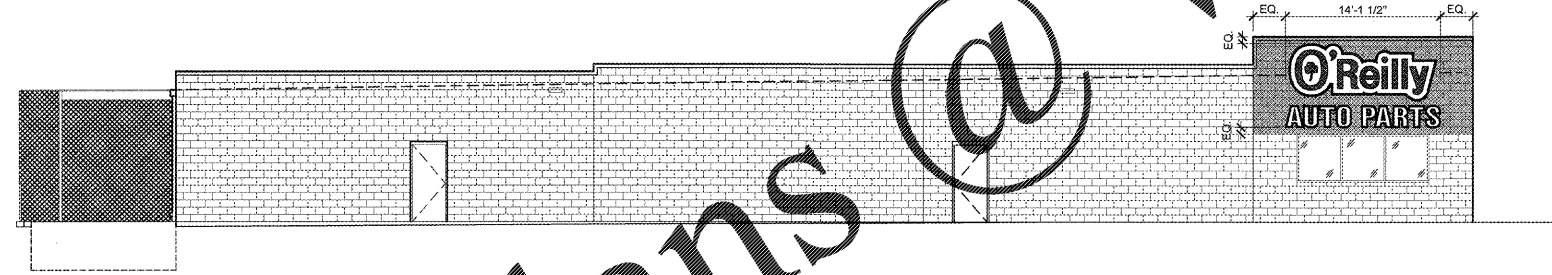


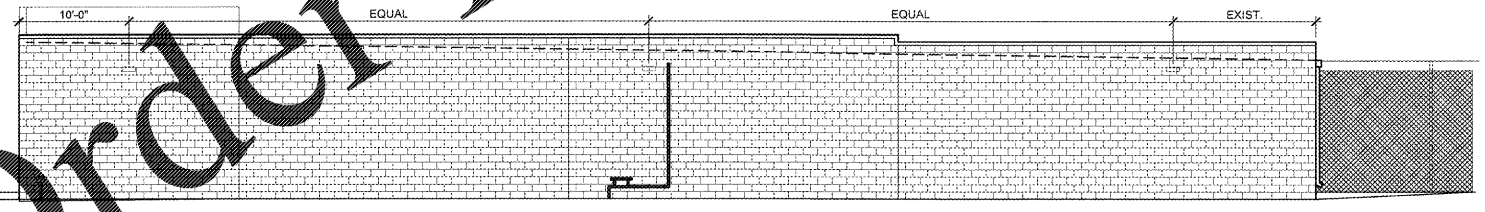
1 FRONT EXTERIOR ELEVATION
 SG2.1 SCALE: 1/8" = 1'-0"



2 REAR EXTERIOR ELEVATION
 SG2.1 SCALE: 1/8" = 1'-0"



3 LEFT EXTERIOR ELEVATION
 SG2.1 SCALE: 1/8" = 1'-0"



4 RIGHT EXTERIOR ELEVATION
 SG2.1 SCALE: 1/8" = 1'-0"

BUILDING SIGN SCHEDULE

FRONT EXTERIOR ELEVATION: TYPE: OR 63" T 24" AP STACKED DETAIL: REFER TO 5/SG2.1	LEFT EXTERIOR ELEVATION: TYPE: OR 63" T 24" AP STACKED DETAIL: REFER TO 5/SG2.1
RIGHT EXTERIOR ELEVATION: TYPE: NO DETAIL DETAIL: NO DETAIL	REAR EXTERIOR ELEVATION: TYPE: NO SIGN DETAIL: NO DETAIL

SITE SIGN SCHEDULE

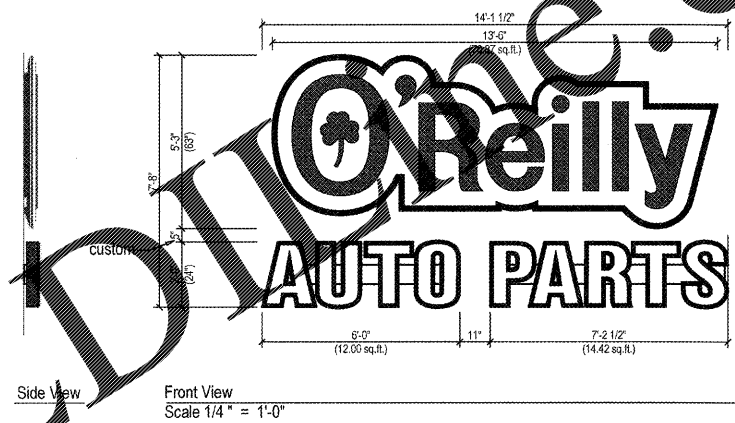
TEMPORARY CONSTRUCTION SIGN: TYPE: COMING SOON DETAIL: REFER TO 1/SG1.2	SITE SIGN: TYPE: 4'H x 12'L X 20'(OAH) DETAIL: REFER TO 2/SG1.2
--	--

GENERAL NOTES

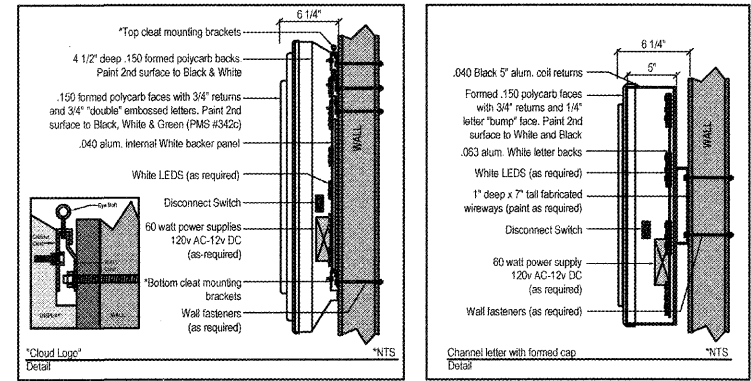
- A CONTACT OWNER'S OR TENANT'S DESIGNATED PROJECT ADMINISTRATOR FOR QUESTIONS OR CLARIFICATIONS.
- B BUILDING PERMANENT SIGNAGE OWNER FURNISHED AND INSTALLED. (REFER TO SCOPE OF WORK SCHEDULE). SIGNAGE GRAPHICS PROVIDED FOR REFERENCE ONLY (N.I.C.) AND CONTRACTOR'S COORDINATION WITH SPECIFIC PROJECT CONSTRUCTION CONDITIONS. CONTRACTOR TO PROVIDE BACK AND ROUGH-IN ELECTRICAL AS REQUIRED FOR INSTALLATION.
- C REQUIRED GOVERNMENTAL PERMITS FOR PERMANENT SIGNAGE TO BE PROVIDED BY OWNER OR OTHER (N.I.C.).



REVISIONS:



O'Reilly Cloud Logo with "AP" channel letters on 7" (h) x 1" (d) wireways. Wireways paint to: OAP RED
 "O'Reilly" Cloud Logo is formed polycarb with double embossment with 2nd surface painted graphics. Paint match to: Green (PMS# 342c), Black and White.
 "AP" to have formed polycarb caps with 1/4" letter "bumps". Black 5" aluminum coil returns. 2nd surface Black and White paint. WHITE LED illumination.



Formed Cloud Logo with "AP" Formed Caps & Channel Returns
 Part# 63/24-DL-CldLogo&Chltrs-WFC

5 FRONT & LEFT WALL SIGN DETAILS

SG1.1 SCALE: 3/8" = 1'-0"

O'Reilly AUTO PARTS
 CORPORATE OFFICES
 233 SOUTH PATTERSON
 SPRINGFIELD, MISSOURI 65802
 417-862-2674 PHONE

PROJECT:
 RE-MODEL O'REILLY AUTO PARTS STORE
 523 NORTH MILITARY STREET
 LORETTO, TN 38469
BUILDING EXT. SIGNAGE

FOR REFERENCE ONLY

Professional of Record
 DRAWN: VVP
 CHECKED: MGC
 DATE: 2-15-2018
 JOB NO.: 319287 (LTO)
 SHEET:
SG2.1

Order Plans @ WWW.LDPLANS.COM

COPYRIGHT 2018 - DESIGNS, DRAWINGS AND SPECIFICATIONS ARE INSTRUMENTS OF SERVICE AND ARE THE PROPERTY OF THE DESIGN PROFESSIONAL. REPRODUCTION PROHIBITED WITHOUT THE EXPRESSED WRITTEN CONSENT OF THE DESIGN PROFESSIONAL.