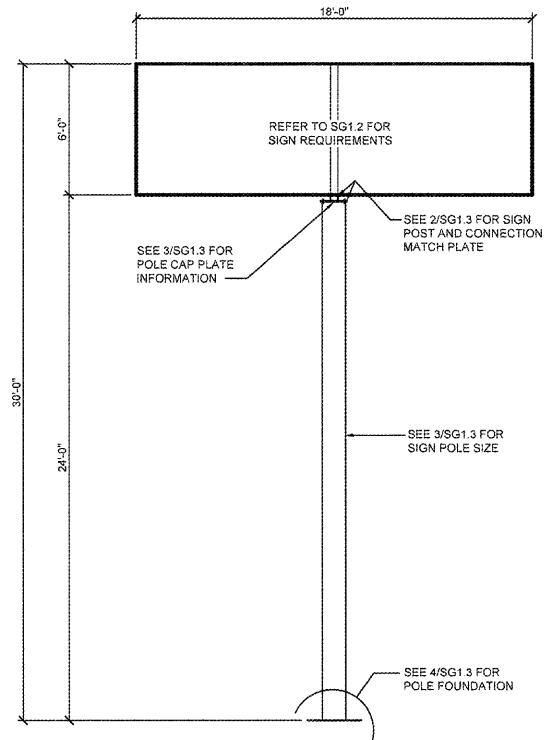
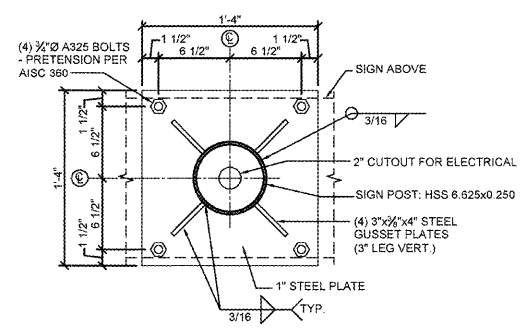


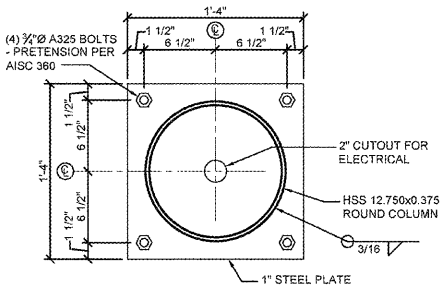
Order Plans @ WWW.WWWDRAWING.COM



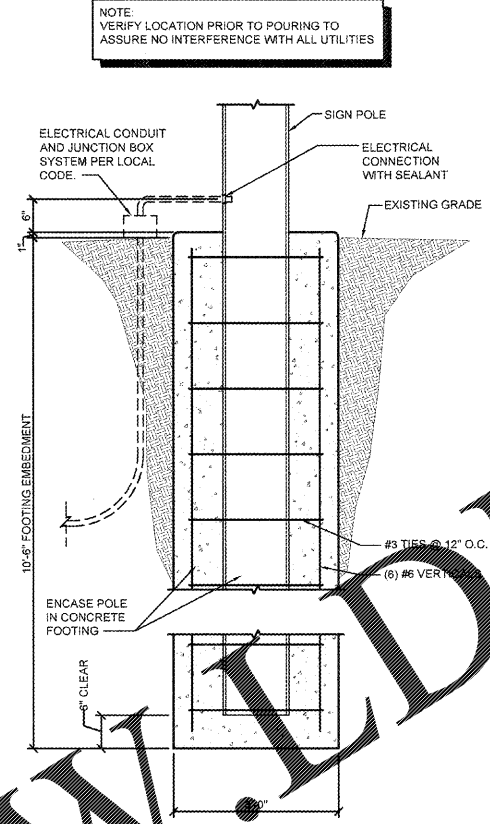
**1 GROUND SIGN ELEVATION**  
**SG1.3** SCALE: 1/4" = 1'-0" (SEE SITE PLAN FOR LOCATION)



**2 SIGN MATCH PLATE**  
**SG1.3** SCALE: 1 1/2" = 1'-0"



**3 POLE CAP PLATE**  
**SG1.3** SCALE: 1 1/2" = 1'-0"



**4 SIGN POLE FOUNDATION**  
**SG1.3** SCALE: 3/4" = 1'-0"

**GENERAL NOTES**

- (A) REFER TO PROJECT MANUAL FOR ADDITIONAL REQUIREMENTS.
- (B) CONTACT OWNER'S OR TENANT'S DESIGNATED PROJECT ADMINISTRATOR FOR QUESTIONS OR CLARIFICATIONS.
- (C) PERMANENT SIGNAGE OWNER FURNISHED AND INSTALLED. (REFER TO SCOPE OF WORK SCHEDULE). SIGNAGE GRAPHICS PROVIDED FOR REFERENCE ONLY (N.I.C.) AND CONTRACTOR'S COORDINATION WITH SPECIFIC PROJECT CONSTRUCTION CONDITIONS.
- (D) SITE SIGN FOUNDATIONS AND ROUGH-IN ELECTRICAL TO BE PROVIDED BY CONTRACTOR.
- (E) REQUIRED GOVERNMENTAL PERMITS FOR PERMANENT TYPE SIGNAGE TO BE PROVIDED BY SIGN COMPANY PER OWNER'S DIRECTION (N.I.C.).
- (F) "COMING SOON" TEMPORARY CONSTRUCTION SIGN TO BE PROVIDED BY GENERAL CONTRACTOR. APPLIED SIGNAGE GRAPHICS TO BE OWNER FURNISHED AND GENERAL CONTRACTOR INSTALLED. LOCATE TEMPORARY CONSTRUCTION SIGN ON SITE SO AS TO BE VISIBLE TO PUBLIC FROM RIGHT-OF-WAY.

**STRUCTURAL NOTES**

- (A) A GEOTECHNICAL ANALYSIS HAS NOT BEEN PERFORMED ON THIS SITE. THE GENERAL CONTRACTOR SHALL HIRE AND PAY FOR A REGISTERED PROFESSIONAL GEOTECHNICAL ENGINEER LICENSED IN THE STATE WHERE THE PROJECT IS LOCATED TO FIELD VERIFY THE EXISTING SOIL CONDITIONS WITH RESPECT TO THE DESIGN BEARING PRESSURES REFERENCED HEREIN. THE GEOTECHNICAL ENGINEER SHALL SUBMIT WRITTEN DOCUMENTATION TO THE ENGINEER OF RECORD REFERENCED ON THIS SHEET SUBSTANTIATING FIELD VERIFICATION PRIOR TO PLACING THE RESPECTIVE CONCRETE FOUNDATION.
- (B) THESE FOUNDATIONS HAVE BEEN DESIGNED FOR A NET ALLOWABLE BEARING CAPACITY OF 1500 PSF AND A LATERAL BEARING CAPACITY OF 100 PSF.
- (C) READY MIX CONCRETE SHALL BE 4000 psi FOR ALL CONCRETE PLACEMENT. DO NOT ADD WATER TO THE MIX DESIGN AFTER DELIVERY TO THE PROJECT SITE.
- (D) HOT OR COLD WEATHER CONCRETING SHALL BE IN ACCORDANCE WITH ACI 305-89 AND ACI 306-1-80, RESPECTIVELY.
- (E) ANY CONCRETE PLACED BY MEANS OF PUMPING SHALL BE DONE IN ACCORDANCE WITH ACI 304.2R (82).
- (F) CEMENT SHALL CONFORM TO A.S.T.M. C-150 TYPE II.
- (G) AGGREGATES SHALL CONFORM TO A.S.T.M. C-33 FOR NORMAL WEIGHT CONCRETE.
- (H) READY MIX CONCRETE SHALL BE MIXED AND DELIVERED IN ACCORDANCE WITH A.S.T.M. C-94.
- (I) ADMIXTURES MAY BE USED WITH THE APPROVAL OF THE STRUCTURAL ENGINEER. ADMIXTURES USED TO INCREASE THE WORKABILITY OF THE CONCRETE SHALL NOT BE CONSIDERED TO REDUCE THE CEMENT CONTENT. NO CALCIUM CHLORIDE ADMIXTURES ALLOWED.
- (J) FABRICATOR QUALIFICATIONS: FABRICATOR MUST PARTICIPATE IN THE AISC QUALITY CONTROL PROGRAM AND BE DESIGNATED AN AISC-CERTIFIED PLANT.
- (K) MATERIALS:  
 WIDE FLANGE SHAPES.....ASTM A992, GRADE 50, Fy = 50 ksi  
 ROUND HOLLOW STRUCTURAL SECTIONS (RHSS).....ASTM A500, GRADE B, Fy = 42 ksi  
 PLATES, ANGLES, AND MISCELLANEOUS STEEL.....ASTM A36, Fy = 36 ksi  
 ANCHOR RODS.....ASTM F1554, GRADE 36  
 HIGH STRENGTH BOLTS.....ASTM A325, UNLESS NOTED  
 (OF NORTH AMERICAN MANUFACTURE)  
 WELDING ELECTRODES.....AWS A5.1 (E70XX)

**DESIGN CRITERIA**

- (A) 2012 INTERNATIONAL BUILDING CODE
- (B) WIND SPEED:  
 V<sub>ULTIMATE</sub> = 115 MPH
- (C) SEISMIC PARAMETERS:  
 SITE CLASS = C  
 SEISMIC DESIGN CATEGORY = C  
 S<sub>MS</sub> = 0.247  
 S<sub>MS1</sub> = 0.162



REVISIONS:


**O'Reilly AUTO PARTS**  
 CORPORATE OFFICES  
 233 SOUTH PATTERSON  
 SPRINGFIELD, MISSOURI 65802  
 417-862-2674 PHONE

PROJECT:  
**RE-MODEL O'REILLY AUTO PARTS STORE**  
**523 NORTH MILITARY STREET**  
**LORETTO, TN 38469**  
**SITE SIGNAGE DETAILS**



DRAWN: MPD  
 CHECKED: MPD  
 DATE: 2-15-2018  
 JOB NO.: 319287 (LTO)  
 SHEET:

**SG1.3**