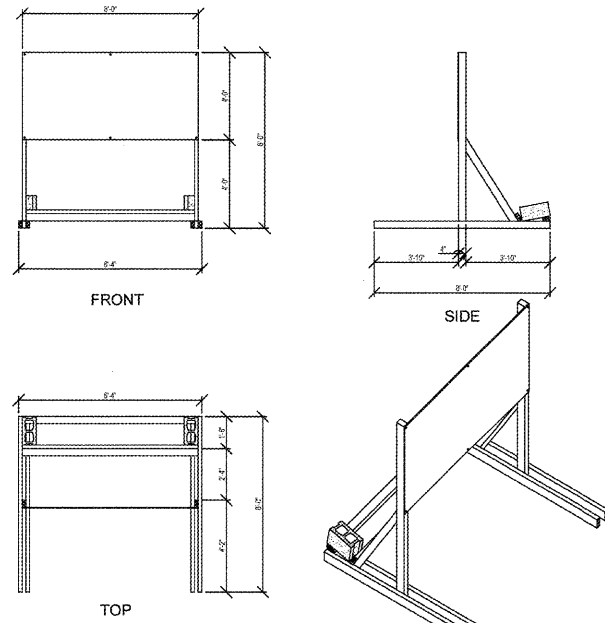
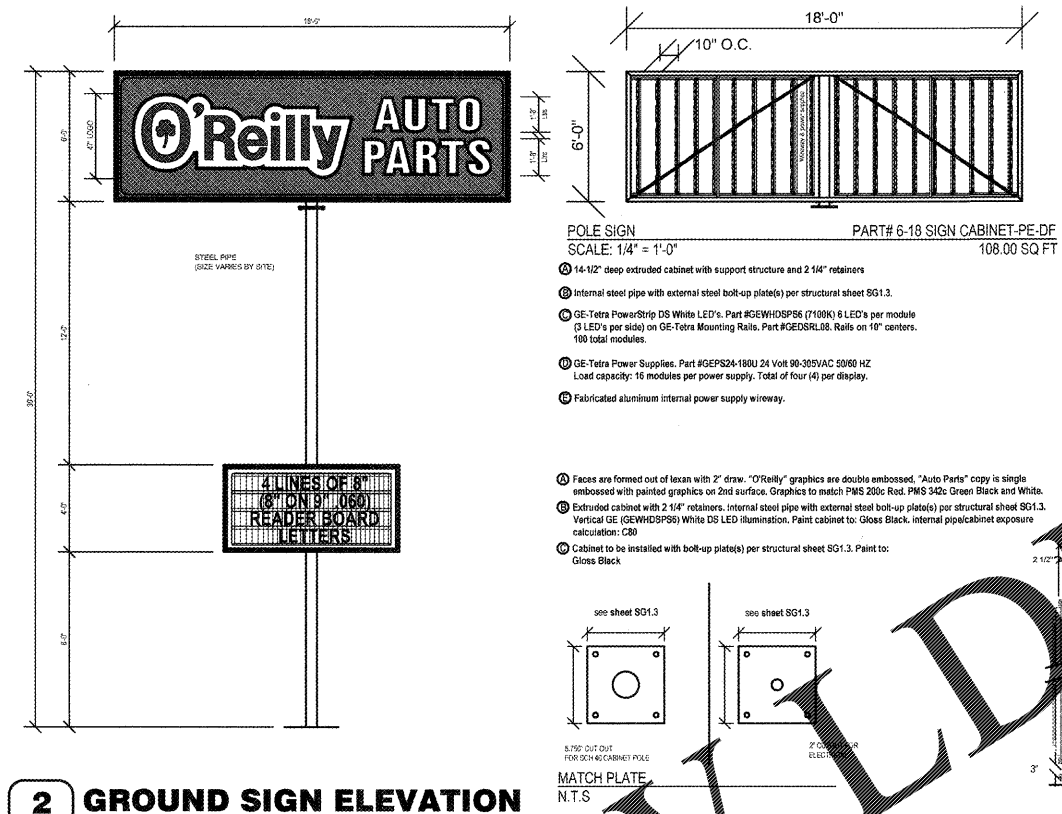


Order Plans @



1 COMING SOON TEMPORARY CONSTRUCTION SIGN
SG1.2 SCALE: 1/4" = 1'-0"



2 GROUND SIGN ELEVATION
SG1.2 SCALE: 1/4" = 1'-0"

- ① 14-1/2" deep extruded cabinet with support structure and 2 1/4" retainers
- ② Internal steel pipe with external steel bolt-up plate(s) per structural sheet SG1.3.
- ③ GE-Tetra PowerStrip DS White LED's, Part #GEWHDS26 (7100K) 6 LED's per module (3 LED's per side) on GE-Tetra Mounting Rails, Part #GEDSRL08. Rails on 10" centers, 100 total modules.
- ④ GE-Tetra Power Supplies, Part #GEPS26-180U 24 Volt 90-305VAC 50/60 HZ Load capacity: 16 modules per power supply, Total of four (4) per display.
- ⑤ Fabricated aluminum internal power supply wireway.
- ⑥ Faces are formed out of lexan with 2" draw. "O'Reilly" graphics are double embossed, "Auto Parts" copy is single embossed with painted graphics on 2nd surface. Graphics to match PMS 200; Red, PMS 342c Green Black and White.
- ⑦ Extruded cabinet with 2 1/4" retainers. Internal steel pipe with external steel bolt-up plate(s) per structural sheet SG1.3. Vertical GE (GEWHDS26) White DS LED illumination. Paint cabinet to: Gloss Black. Internal pipe/cabinet exposure calculation: C80
- ⑧ Cabinet to be installed with bolt-up plate(s) per structural sheet SG1.3. Paint to: Gloss Black

- GENERAL NOTES**
- A REFER TO PROJECT MANUAL FOR ADDITIONAL REQUIREMENTS.
 - B CONTACT OWNER'S OR TENANT'S DESIGNATED PROJECT ADMINISTRATOR FOR QUESTIONS OR CLARIFICATIONS.
 - C PERMANENT SIGNAGE OWNER FURNISHED AND INSTALLED. (REFER TO SCOPE OF WORK SCHEDULE). SIGNAGE GRAPHICS PROVIDED FOR REFERENCE ONLY (N.I.C.) AND CONTRACTOR'S COORDINATION WITH SPECIFIC PROJECT CONSTRUCTION CONDITIONS.
 - D SITE SIGN FOUNDATIONS AND ROUGH-IN ELECTRICAL TO BE PROVIDED BY CONTRACTOR.
 - E REQUIRED GOVERNMENTAL PERMITS FOR PERMANENT TYPE SIGNAGE TO BE PROVIDED BY SIGN COMPANY PER OWNER'S DIRECTION (N.I.C.).
 - F "COMING SOON" TEMPORARY CONSTRUCTION SIGN TO BE PROVIDED BY GENERAL CONTRACTOR. APPLIED SIGNAGE GRAPHICS TO BE OWNER FURNISHED. GENERAL CONTRACTOR INSTALLED. LOCATE TEMPORARY CONSTRUCTION SIGN ON SITE SO AS TO BE VISIBLE TO PUBLIC FROM RIGHT-OF-WAY.

SITE SIGN SCHEDULE

TEMPORARY CONSTRUCTION SIGN:
 TYPE: COMING SOON
 DETAIL: REFER TO 1/SG1.2

SITE SIGN:
 TYPE: POLE (4" X 12" W X 20" H)
 DETAIL: REFER TO 2/SG1.2

CASCO
 PROJECT MANAGERS
 2877 Johnson Road
 St. Louis, MO 63127
 Phone: (314) 821-1100

REVISIONS:

O'Reilly AUTO PARTS
 CORPORATE OFFICES
 233 SOUTH PATTERSON
 SPRINGFIELD, MISSOURI 65802
 417-862-2874 PHONE

PROJECT:
RE-MODEL O'REILLY AUTO PARTS STORE
523 NORTH MILITARY STREET
LORETTO, TN 38469
SITE SIGNAGE DETAILS

FOR REFERENCE ONLY

Professional of Record

DRAWN: VVP
 CHECKED: MGC
 DATE: 2-15-2018
 JOB NO.: 319287 (LTO)
 SHEET:
SG1.2

COPYRIGHT 2018 - DESIGNS, DRAWINGS AND SPECIFICATIONS ARE INSTRUMENTS OF SERVICE AND ARE THE PROPERTY OF THE DESIGN PROFESSIONAL. REPRODUCTION PROHIBITED WITHOUT THE EXPRESSED WRITTEN CONSENT OF THE DESIGN PROFESSIONAL.